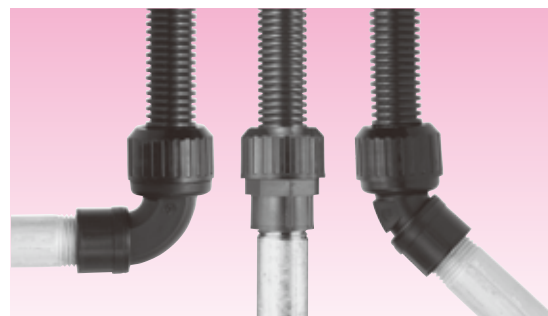


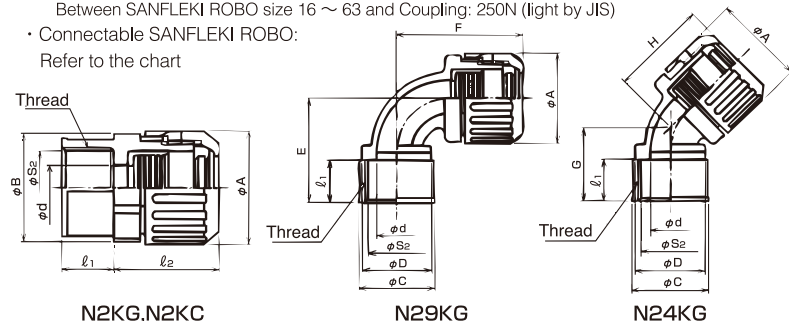
N2 SERIES COUPLING FOR RIGID STEEL CONDUIT WITH THREAD

MAIN MATERIAL	FEATURE	FEATURE	FEATURE	ENVIRONMENT	ENVIRONMENT	FLAMMABILITY	TEMPERATURE RANGE
PA66	IP67 (only for SANFLEKI ROBO and Coupling)	Oil resistance	Hold up to vibration	HALOGEN FREE	RoHS	UL94V2	Lowest -20°C ~Highest 90°C

SANFLEKI ROBO + RIGID STEEL CONDUIT WITH THREAD

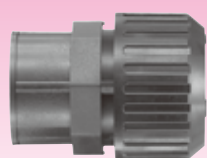


- Combination couplings
- Designed to connect SANFLEKI ROBO to rigid steel conduits with threads
- Style Availability: Straight / 45 degree angle-style / 90 degree angle-style
- Tensile Strength Classification:
Between SANFLEKI ROBO size 16 ~ 63 and Coupling: 250N (light by JIS)
- Connectable SANFLEKI ROBO:
Refer to the chart



RIGID STEEL CONDUIT WITH THREAD

STRAIGHT STYLE



[LIGHT GRAY / BLACK]

Delivery	Item number		Connectable SANFLEKI ROBO	Cable max outside diameter to be inserted	φ A	φ B	φ d	l ₁	l ₂	Thread JIS C 8305		Weight (g/pc)	Qty / Package
	Light gray	Black								φ S ₂	Nominal size		
5	5	N2KG 12 LG N2KG 12	NS NP NF	12	7	29.9	8.1	14	27	19.0	CTG16	10	20
5	5	N2KG 16 LG N2KG 16		16	10	29.9	11.4	14	27	19.0	CTG16	11	20
5	5	N2KG 20 LG N2KG 20		20	14	34.4	15.1	14	28	19.0	CTG16	14	20
5	5	N2KG 25 LG N2KG 25		25	19	40.8	19.8	14	32	24.5	CTG22	21	20
5	5	N2KG 32 LG N2KG 32		32	25	48.3	26.1	16	32	30.7	CTG28	33	10
5	5	N2KG 40 LG N2KG 40		40	33	57.3	33.7	18	36	39.4	CTG36	49	10
5	5	N2KG 50 LG N2KG 50		50	42	67.7	43.0	18	37	45.3	CTG42	65	5
5	5	N2KG 63 LG N2KG 63		63	54	80.9	54.6	20	41	57.1	CTG54	91	5

90 DEGREE ANGLE STYLE



[BLACK]

Delivery	Item number	Connectable SANFLEKI ROBO	Cable max outside diameter to be inserted	φ A	φ C	φ d	E	F	l ₁	Thread JIS C 8305		Weight (g/pc)	Qty / Package	
										φ S ₂	Nominal size			
5	N29KG 12	NS NP NF	12	7	25.5	25.9	8.1	34	39	14	19.0	CTG16	12	20
5	N29KG 16		16	10	29.9	25.9	11.4	36	41	14	19.0	CTG16	16	20
5	N29KG 20		20	14	34.4	26.8	15.1	38	45	14	19.0	CTG16	23	20
5	N29KG 25		25	19	40.8	31.9	19.8	40	51	14	24.5	CTG22	30	20
5	N29KG 32		32	25	48.3	39.9	26.1	46	54	16	30.7	CTG28	38	10
5	N29KG 40		40	33	57.3	49.0	33.7	53	62	18	39.4	CTG36	53	10
5	N29KG 50		50	42	67.7	58.0	43.0	59	71	18	45.3	CTG42	100	5
5	N29KG 63		63	55	80.9	72.1	54.6	68	83	20	57.1	CTG54	120	5

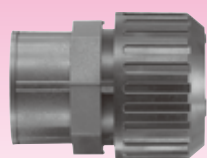
45 DEGREE ANGLE STYLE



[BLACK]

Delivery	Item number	Connectable SANFLEKI ROBO	Cable max outside diameter to be inserted	φ A	φ C	φ d	G	H	l ₁	Thread JIS C 8305		Weight (g/pc)	Qty / Package	
										φ S ₂	Nominal size			
5	N24KG 12	NS NP NF	12	7	25.5	25.9	8.1	25	30	14	19.0	CTG16	11	20
5	N24KG 16		16	10	29.9	25.9	11.4	26	31	14	19.0	CTG16	14	20
5	N24KG 20		20	14	34.4	26.8	15.1	27	33	14	19.0	CTG16	20	20
5	N24KG 25		25	19	40.8	31.9	19.8	28	39	14	24.5	CTG22	27	20
5	N24KG 32		32	25	48.3	39.9	26.1	32	40	16	30.7	CTG28	44	10
5	N24KG 40		40	33	57.3	49.0	33.7	36	45	18	39.4	CTG36	75	10
5	N24KG 50		50	42	67.7	58.0	43.0	38	49	18	45.3	CTG42	104	5
5	N24KG 63		63	54	80.9	72.1	54.6	43	57	20	57.1	CTG54	118	5

RIGID STEEL CONDUIT WITH THREAD



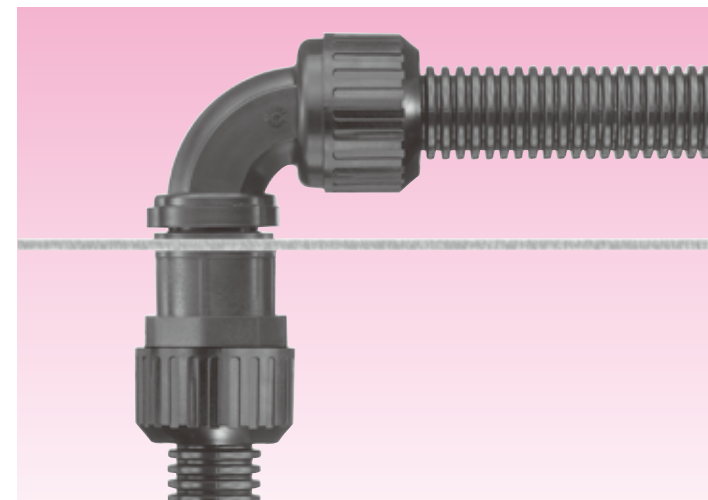
[BLACK]

Delivery	Item number	Connectable SANFLEKI ROBO	Cable max outside diameter to be inserted	φ A	φ B	φ d	l ₁	l ₂	Thread JIS C 8305		Weight (g/pc)	Qty / Package
									φ S ₂	Nominal size		
5	N2KC 12	NS NP NF	12	7	29.9	8.1	14	27	17.8	CTC19	10	20
5	N2KC 16		16	10	29.9	11.4	14	27	17.8	CTC19	11	20
5	N2KC 20		20	14	34.4	15.1	14	28	17.8	CTC19	14	20
5	N2KC 25		25	19	40.8	19.8	14	32	24.1	CTC25	21	20
5	N2KC 32		32	25	48.3	26.1	16	32	30.5	CTC31	33	10
5	N2KC 40		40	33	57.3	33.7	18	36	36.8	CTC39	49	10
5	N2KC 50		50	42	67.7	43.0	18	37	49.5	CTC51	65	5
5	N2KC 63		63	54	80.9	55.1	20	41	62.2	CTC63	86	5

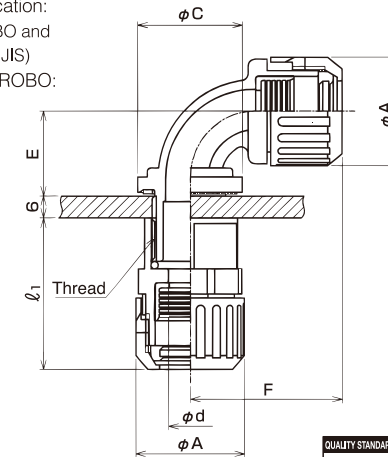
N2 SERIES 90 DEGREE ANGLE-STYLE COUPLING

MAIN MATERIAL	FEATURE	FEATURE	FEATURE	ENVIRONMENT	ENVIRONMENT	FLAMMABILITY	TEMPERATURE RANGE
PA66	IP67	Oil resistance	Hold up to vibration	HALOGEN FREE	RoHS	UL94V2	Lowest -20°C ~Highest 90°C

SANFLEKI ROBO + SANFLEKI ROBO



- 90 degree angle-style couplings
- Designed to connect SANFLEKI ROBO to SANFLEKI ROBO
- Suitable only for 6mm wall thickness to which the coupling is connected
- Tensile Strength Classification:
Between SANFLEKI ROBO and Coupling: 250N (light by JIS)
- Connectable SANFLEKI ROBO:
Refer to the chart



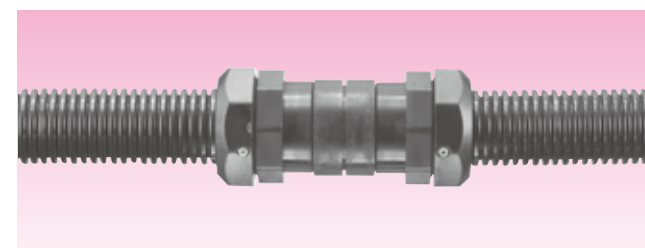
[BLACK / LIGHT GRAY]

Delivery	Item number		Connectable SANFLEKI ROBO	Cable max outside diameter to be inserted	φ A	φ C	φ d	E	F	l ₁	Knockout dia.	Thread JIS B 0202	Weight (g/pc)	Qty / Package	
	Black	Light gray													
3	N29C 16	N29C 16 LG	NS NP NF	16	10	29.9	28.8	11.4	23	41	41	22.0	G 1/2	26	10
3	N29C 20	N29C 20 LG		20	14	34.4	28.8	14.7	25	45	42	22.0	G 1/2	26	10
3	N29C 25	N29C 25 LG		25	19	40.8	37.0	19.8	27	51	46	27.5	G 3/4	53	10
3	N29C 32	N29C 32 LG		32	25	48.3	45.5	26.1	31	54	48	34.0	G 1	80	5
3	N29C 40	N29C 40 LG		40	33	57.3	56.0	33.7	36	62	54	43.0	G 1-1/4	119	5
3	N29C 50	N29C 50 LG		50	39	67.7	64.0	40.3	42	71	55	49.0	G 1-1/2	168	2
3	N29C 63	N29C 63 LG		63	51	80.9	74.8	52.0	49	83	61	61.0	G 2	242	2

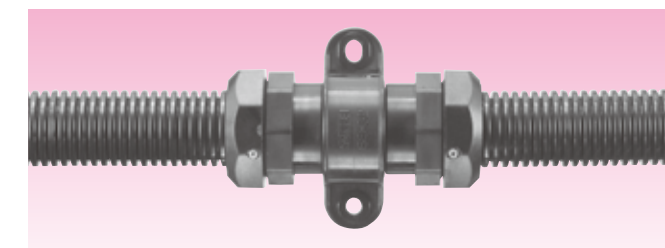
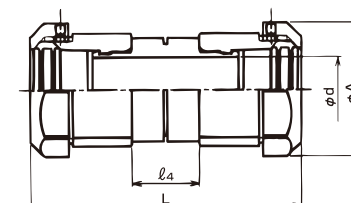
ROTARY COUPLING

SANFLEKI ROBO + SANFLEKI ROBO

MAIN MATERIAL	FEATURE	FEATURE	FEATURE	ENVIRONMENT	ENVIRONMENT	FLAMMABILITY	TEMPERATURE RANGE
PA6	Non-water resistance	Oil resistance	Hold up to vibration	RoHS		UL94VO	Lowest -20°C ~Highest 100°C



- Rotary coupling
- Designed to connect SANFLEKI ROBO to SANFLEKI ROBO
- Can be fixed with saddle (Type SS)
- Tensile Strength Classification:
Between SANFLEKI ROBO size 16 ~ 50 and Coupling: 250N (light by JIS)
- Connectable SANFLEKI ROBO: Refer to the chart



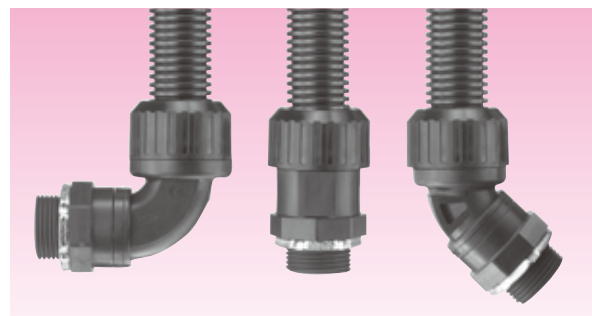
[BLACK]

Delivery	Item number	Connectable SANFLEKI ROBO	Cable max outside diameter to be inserted	φ A	φ d	L	l ₄	Weight (g/pc)	Qty / Package	
										5
5	NR2C 16	16	11	28.8	11.8	74	19	25	20	
5	NR2C 20	20	14	34.2	15.2	77	19	36	20	
5	NR2C 25	25	19	41.5	20.0	82	21	52	10	
5	NR2C 32	32	25	50.0	25.9	92	21	89	10	
5	NR2C 40	40	33	59.5	33.8	105	21	129	5	
5	NR2C 50	50	42	70.3	42.8	118	21	190	5	

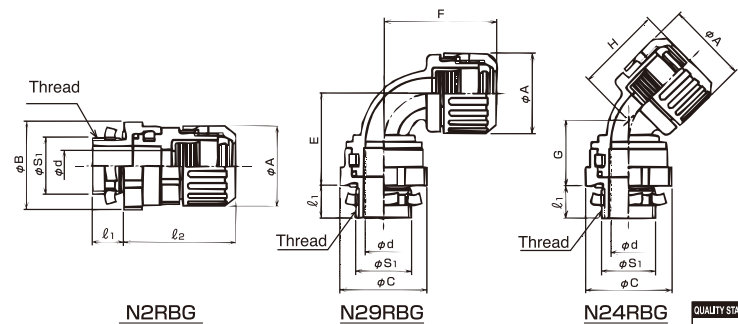
N2 SERIES FITTING FOR KNOCKOUT

MAIN MATERIAL	FEATURE	FEATURE	ENVIRONMENT	ENVIRONMENT	FLAMMABILITY	TEMPERATURE RANGE
PA66	IP65	Oil resistance	HALOGEN FREE	RoHS	UL94V2	Lowest -20°C ~Highest 90°C

PARALLEL PIPE THREAD - EXTERNAL THREAD



- Rotary connectors
- Designed for knockout of wiring boxes
- Style Availability: Straight / 45 degree angle-style / 90 degree angle-style
- Tensile Strength Classification: Between SANFLEKI ROBO size 16 ~ 63 and fitting: 250N (light by JIS)
- Connectable SANFLEKI ROBO: Refer to the chart



STRAIGHT STYLE

FEATURE
Hold up to vibration



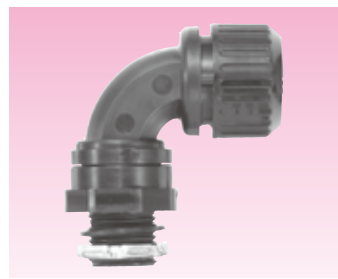
[BLACK / LIGHT GRAY]

Delivery	Item number		Connectable SANFLEKI ROBO	Cable max outside diameter to be inserted	φA	φC	φd	E	F	ℓ ₁	ℓ ₂	Thread JIS B 0202		Weight (g/pc)	Qty / Package
	Black	Light gray										φS ₁	Nominal size		
③	③	N2RBG 12	N2RBG 12 LG	12	7	34.4	8.1	16	41	20.9	G 1/2	18	10		
○	③	N2RBG 16	N2RBG 16 LG	16	10	34.4	11.4	16	41	20.9	G 1/2	20	10		
○	③	N2RBG 20	N2RBG 20 LG	20	14	34.4	14.5	16	42	20.9	G 1/2	24	10		
○	○	N2RBG 25	N2RBG 25 LG	25	19	40.8	19.6	16	46	26.4	G 3/4	36	10		
○	○	N2RBG 32	N2RBG 32 LG	32	25	48.3	25.6	16	46	33.2	G 1	64	5		
○	③	N2RBG 40	N2RBG 40 LG	40	33	57.3	33.6	16	51	41.9	G 1-1/4	99	5		
○	③	N2RBG 50	N2RBG 50 LG	50	39	67.7	39.7	16	53	47.8	G 1-1/2	128	2		
○	③	N2RBG 63	N2RBG 63 LG	63	50	80.9	51.3	16	56	59.6	G 2	189	2		

Available on request: N2RBG32 ~ N2RBG63 with ℓ₁ size 24mm

90 DEGREE ANGLE STYLE

FEATURE
Hold up to vibration



[BLACK / LIGHT GRAY]

Delivery	Item number		Connectable SANFLEKI ROBO	Cable max outside diameter to be inserted	φA	φC	φd	E	F	ℓ ₁	ℓ ₂	Thread JIS B 0202		Weight (g/pc)	Qty / Package
	Black	Light gray										φS ₁	Nominal size		
⑤	⑤	N29RBG 12	N29RBG 12 LG	12	7	25.5	34.4	8.1	35	39	16	20.9	G 1/2	20	10
○	⑤	N29RBG 16	N29RBG 16 LG	16	10	29.9	34.4	11.4	37	41	16	20.9	G 1/2	25	10
○	⑤	N29RBG 20	N29RBG 20 LG	20	14	34.4	34.4	14.5	39	45	16	20.9	G 1/2	31	10
○	⑤	N29RBG 25	N29RBG 25 LG	25	19	40.8	40.8	19.6	41	51	16	26.4	G 3/4	45	10
○	⑤	N29RBG 32	N29RBG 32 LG	32	25	48.3	48.3	25.6	45	54	16	33.2	G 1	70	5
○	⑤	N29RBG 40	N29RBG 40 LG	40	33	57.3	57.3	33.6	51	62	16	41.9	G 1-1/4	113	5
○	⑤	N29RBG 50	N29RBG 50 LG	50	39	67.7	67.7	39.7	57	71	16	47.8	G 1-1/2	154	2
○	⑤	N29RBG 63	N29RBG 63 LG	63	50	80.9	80.9	51.3	64	83	16	59.6	G 2	229	2

Available on request: N29RBG32 ~ N29RBG63 with ℓ₁ size 24mm

45 DEGREE ANGLE STYLE

FEATURE
Hold up to vibration

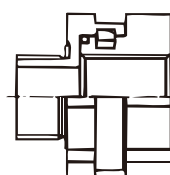
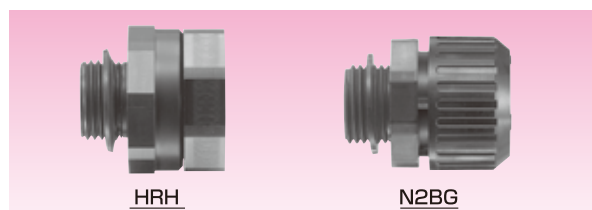


[BLACK / LIGHT GRAY]

Delivery	Item number		Connectable SANFLEKI ROBO	Cable max outside diameter to be inserted	φA	φC	φd	G	H	ℓ ₁	Thread JIS B 0202		Weight (g/pc)	Qty / Package	
	Black	Light gray									φS ₁	Nominal size			
⑤	⑤	N24RBG 12	N24RBG 12 LG	12	7	25.5	34.4	8.1	26	30	16	20.9	G 1/2	19	10
○	⑤	N24RBG 16	N24RBG 16 LG	16	10	29.9	34.4	11.4	27	31	16	20.9	G 1/2	22	10
○	⑤	N24RBG 20	N24RBG 20 LG	20	14	34.4	34.4	14.5	27	33	16	20.9	G 1/2	29	10
○	⑤	N24RBG 25	N24RBG 25 LG	25	19	40.8	40.8	19.6	29	39	16	26.4	G 3/4	44	10
○	⑤	N24RBG 32	N24RBG 32 LG	32	25	48.3	48.3	25.6	30	40	16	33.2	G 1	66	5
○	⑤	N24RBG 40	N24RBG 40 LG	40	33	57.3	57.3	33.6	34	45	16	41.9	G 1-1/4	104	5
○	⑤	N24RBG 50	N24RBG 50 LG	50	39	67.7	67.7	39.7	36	49	16	47.8	G 1-1/2	140	2
⑤	⑤	N24RBG 63	N24RBG 63 LG	63	50	80.9	80.9	51.3	39	57	16	59.6	G 2	213	2

Available on request: N24RBG32 ~ N24RBG63 with ℓ₁ size 24mm

EXTENSION ROTARY ADAPTOR TYPE HRH

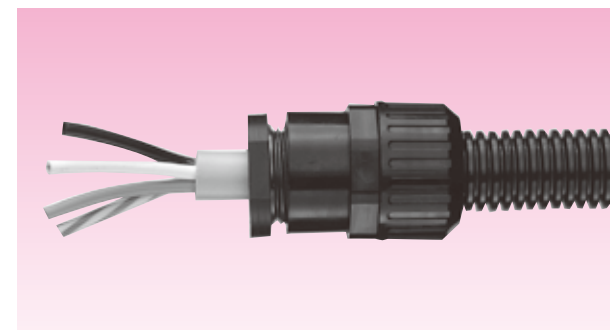


- Extension Rotary adaptor for N2BG
- With HRH, N2BG can be converted into a rotary type connector
- Look at a page for SANPARTS for more information

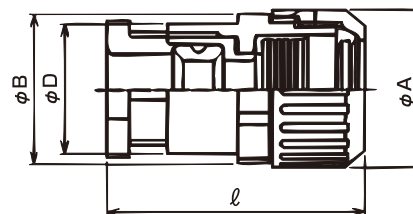
BUSHING TYPE / N2 SERIES CABLE GLAND-STYLE FITTING

MAIN MATERIAL	FEATURE	FEATURE	FEATURE	ENVIRONMENT	ENVIRONMENT	FLAMMABILITY	TEMPERATURE RANGE
PA66	IP65	Oil resistance	Hold up to vibration	HALOGEN FREE	RoHS	UL94V2	Lowest -20°C ~Highest 90°C

BUSHING TYPE



- Bushing type / cable gland-style fitting for SANFLEKI ROBO
- Available on request: Fitting for multiple cables
- Tensile Strength Classification: Between SANFLEKI ROBO size 16 ~ 63 and fitting: 250N (light by JIS)
- Connectable SANFLEKI ROBO: Refer to the chart



[BLACK]

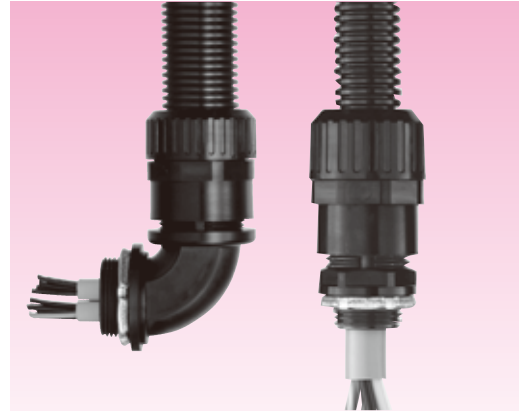
Delivery	Item number	Connectable SANFLEKI ROBO	Cable outside diameter to be inserted		φA	φD	ℓ	Weight (g/pc)	Qty / Package
			Max.	Min.					
○	N2HBI 12 07	12	7	4	29.9	24.6	56	20	10
○	N2HBI 16 08	16	8	4	29.9	24.6	56	21	10
○	N2HBI 16 11	16	11	8	29.9	30.0	56	24	10
○	N2HBI 20 08	20	8	4	34.4	24.6	57	25	10
○	N2HBI 20 12	20	12	8	34.4	30.0	57	27	10
③	N2HBI 20 14	20	14	12	34.4	36.0	58	34	10
③	N2HBI 25 08	25	8	4	40.8	24.6	61	34	10
○	N2HBI 25 12	25	12	8	40.8	30.0	61	36	10
○	N2HBI 25 16	25	16	12	40.8	36.0	62	43	10
○	N2HBI 25 19	25	19	16	40.8	42.0	64	48	10
③	N2HBI 32 16	32	16	12	48.3	36.0	62	49	5
③	N2HBI 32 20	32	20	16	48.3	42.0	64	58	5
③	N2HBI 32 24	32	24	20	48.3	48.0	66	67	5
③	N2HBI 40 20	40	20	16	57.3	42.0	68	76	5
③	N2HBI 40 24	40	24	20	57.3	48.0	70	82	5
③	N2HBI 40 28	40	28	24	57.3	53.5	72	90	5
○	N2HBI 50 24	50	24	20	67.7	48.0	71	118	2
○	N2HBI 50 28	50	28	24	67.7	53.5	73	123	2
○	N2HBI 50 32	50	32	28	67.7	58.9	75	130	2
③	N2HBI 50 36	50	36	32	67.7	64.1	77	142	2
③	N2HBI 63 28	63	28	24	80.9	53.5	77	150	2
○	N2HBI 63 32	63	32	28	80.9	58.9	79	163	2
③	N2HBI 63 36	63	36	32	80.9	64.1	81	170	2
○	N2HBI 63 40	63	40	36	80.9	71.3	82	185	2

QUALITY STANDARD
JIS C8461-23

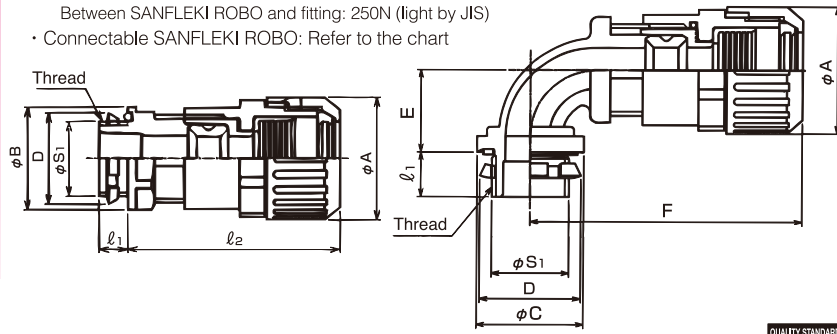
N2 SERIES CABLE GLAND-STYLE FITTING FOR KNOCKOUT

MAN MATERIAL	FEATURE	FEATURE	FEATURE	ENVIRONMENT	ENVIRONMENT	FLAMMABILITY	TEMPERATURE RANGE
PA66	IP65	Oil resistance	Hold up to vibration	HALOGEN FREE	RoHS	UL94V2	Lowest -20°C ~ Highest 90°C

PARALLEL PIPE THREAD - EXTERNAL THREAD / METRIC THREAD - EXTERNAL THREAD



- Cable gland-style connectors for SANFLEKI ROBO
- Style Availability: Straight / 90 degree angle-style
- Designed for knockout of wiring boxes
- Available on request: Fitting for multiple cables
- Tensile Strength Classification:
 - Between SANFLEKI ROBO and fitting: 250N (light by JIS)
- Connectable SANFLEKI ROBO: Refer to the chart



STRAIGHT STYLE



[PARALLEL PIPE THREAD - EXTERNAL THREAD / BLACK]

QUALITY STANDARD
JIS C8461-23

Delivery	Item number	Connectable SANFLEKI ROBO	Cable outside diameter to be inserted		φ A	φ B D	l ₁	l ₂	Thread JIS B 0202		Weight (g/pc)	Qty / Package
			Max.	Min.					φ S ₁	Nominal size		
○	N2HBG 16 08	16	8	4	29.9	29.0	10	58	20.9	G 1/2	32	10
○	N2HBG 16 11		11	8	29.9	30.0		58				
○	N2HBG 20 08	NS	8	4	34.4	29.0	59	59	26.4	G 3/4	50	10
○	N2HBG 20 12		12	8								
○	N2HBG 25 12	NF	12	8	40.8	36.0	10	62	26.4	G 3/4	50	10
□	N2HBG 25 16		16	12								
□	N2HBG 40 32	40	32	28	57.3	58.9	14	76	41.9	G 1-1/4	129	5

[METRIC THREAD - EXTERNAL THREAD / BLACK]

QUALITY STANDARD
JIS C8461-23

Delivery	Item number	Connectable SANFLEKI ROBO	Cable outside diameter to be inserted		φ A	φ B D	l ₁	l ₂	Thread JIS C 8463		Weight (g/pc)	Qty / Package
			Max.	Min.					φ S ₁	Nominal size		
□	N2HBM 20 08	NS	8	4	34.4	29.0	10	59	19.9	M20	32	10
□	N2HBM 20 12		12	8								
□	N2HBM 25 16	NF	16	12	40.8	36.0	10	63	24.9	M25	53	10

90 DEGREE ANGLE STYLE



[PARALLEL PIPE THREAD - EXTERNAL THREAD / BLACK]

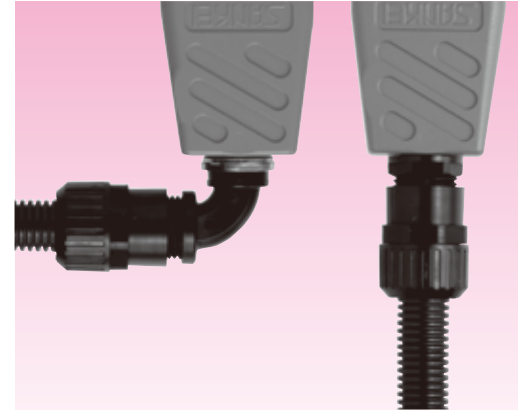
QUALITY STANDARD
JIS C8461-23

Delivery	Item number	Connectable SANFLEKI ROBO	Cable outside diameter to be inserted		φ A	φ C D	E	F	l ₁	Thread JIS B 0202		Weight (g/pc)	Qty / Package
			Max.	Min.						φ S ₁	Nominal size		
○	N29HBG 16 11	NS	11	8	29.9	30.0	10	58	20.9	G1/2	35	10	
○	N29HBG 40 32		40	32									28

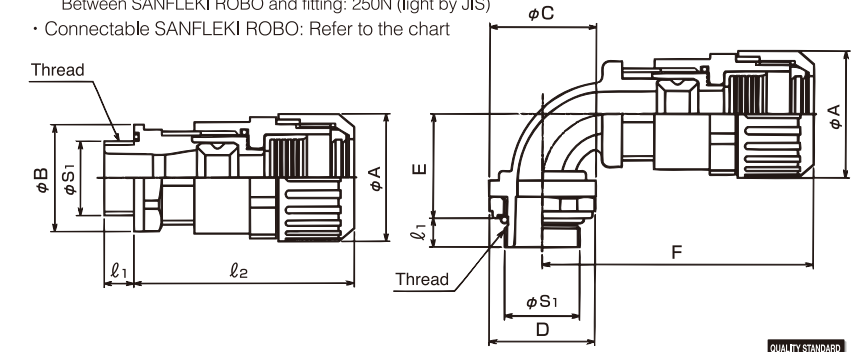
N2 SERIES CABLE GLAND-STYLE FITTING FOR ELECTRIC DEVICES

MAN MATERIAL	FEATURE	FEATURE	FEATURE	ENVIRONMENT	ENVIRONMENT	FLAMMABILITY	TEMPERATURE RANGE
PA66	IP65	Oil resistance	Hold up to vibration	HALOGEN FREE	RoHS	UL94V2	Lowest -20°C ~ Highest 90°C

PARALLEL PIPE THREAD - EXTERNAL THREAD / METRIC THREAD - EXTERNAL THREAD



- Cable gland-style connectors for SANFLEKI ROBO
- Style Availability: Straight / 90 degree angle-style
- Designed for electric devices such as Limit switch
- Tensile Strength Classification:
 - Between SANFLEKI ROBO and fitting: 250N (light by JIS)
- Connectable SANFLEKI ROBO: Refer to the chart



STRAIGHT STYLE



[PARALLEL PIPE THREAD - EXTERNAL THREAD / BLACK]

QUALITY STANDARD
JIS C8461-23

Delivery	Item number	Connectable SANFLEKI ROBO	Cable outside diameter to be inserted		φ A	φ B	l ₁	l ₂	Thread JIS B 0202		Weight (g/pc)	Qty / Package
			Max.	Min.					φ S ₁	Nominal size		
○	N2HOG 20 08	NS	8	4	34.4	27.7	6.5	59	20.9	G1/2	28	10
○	N2HOG 20 12		12	8								

[METRIC THREAD - EXTERNAL THREAD]

QUALITY STANDARD
JIS C8461-23

Delivery	Item number	Connectable SANFLEKI ROBO	Cable outside diameter to be inserted		φ A	φ B	l ₁	l ₂	Thread JIS C 8463		Weight (g/pc)	Qty / Package
			Max.	Min.					φ S ₁	Nominal size		
○	N2HOM 20 08	20	8	4	34.4	26.5	8.0	59	19.9	M20	28	10
○	N2HOM 20 12		12	8								
○	N2HOM 25 16	NS	16	12	40.8	35.3	63	24.9	M25	44	10	10
○	N2HOM 32 20		20	16								
○	N2HOM 32 24	NP	24	20	48.3	47.3	68	31.9	M32	66	10	10
○	N2HOM 40 28		28	24								
○	N2HOM 40 32	NF	32	28	57.3	58.9	74	39.9	M40	85	5	5
○	N2HOM 40 32		32	28								

90 DEGREE ANGLE STYLE



[METRIC THREAD - EXTERNAL THREAD / BLACK]

QUALITY STANDARD
JIS C8461-23

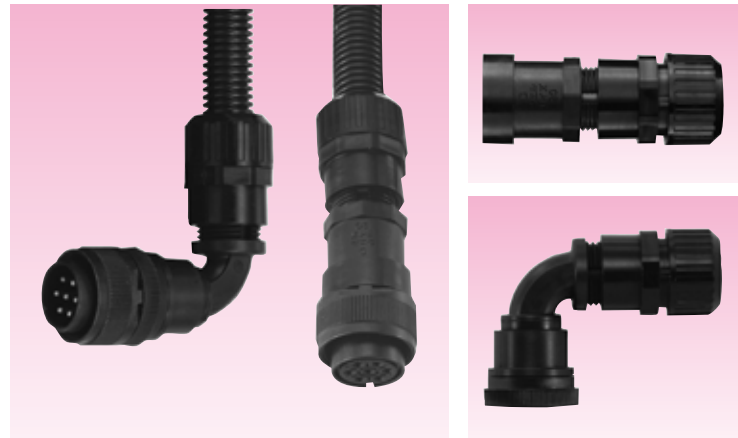
Delivery	Item number	Connectable SANFLEKI ROBO	Cable outside diameter to be inserted		φ A	φ C φ D	E	F	l ₁	Thread JIS B 8463		Weight (g/pc)	Qty / Package
			Max.	Min.						φ S ₁	Nominal size		
○	N29HOM 20 08	NS	8	4	34.4	27.6	25.0	71	7	19.9	M20	41	10
○	N29HOM 20 12		12	8									

N2 SERIES COUPLING - CABLE GLAND-STYLE FITTING - FOR MS CONNECTOR

MAIN MATERIAL	FEATURE	FEATURE	FEATURE	ENVIRONMENT	ENVIRONMENT	FLAMMABILITY	TEMPERATURE RANGE
PA66	IP65	Oil resistance	Hold up to vibration	HALOGEN FREE	RoHS	UL94V2	Lowest -20°C ~ Highest 90°C

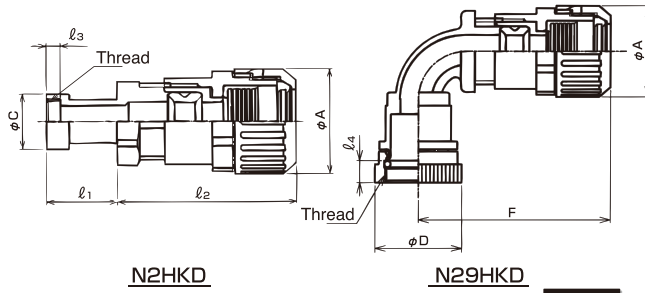
Only for N2HKD

FOR MS CONNECTOR (No backshell type)



- Cable gland-style combination couplings for SANFLEKI ROBO
- Designed for MS connector (No backshell type)
- Style Availability: Straight / 90 degree angle-style
- Tensile Strength Classification:
 - Between SANFLEKI ROBO size 16 ~ 63 and Coupling: 250N (light by JIS)
- Connectable SANFLEKI ROBO: Refer to the chart
- Delivery and MOQ: Please check with our Sales dept.
- Must be fully tightened on MS connector with a tool (Recommended tool: SUPERTOOL MFT68A). General tightening torque is as indicated in the chart

Shell size	Tightening torque (N·m)	
	N2HKD	N29HKD
10~14	0.8~1.0	0.8~1.0
16~24	2.0~4.0	4.0~6.0
28~36	5.0~7.0	7.0~10.0



N2HKD

N29HKD

QUALITY STANDARD
JIS C8461-23

[BLACK]

Type	Item number			Connectable SANFLEKI ROBO	Cable outside diameter to be inserted		φA	φC	φD	Cable outside diameter (max.)	F	l ₁	l ₂		l ₃	l ₄	Connectable MS connector											
	SANFLEKI ROBO SIZE	Cable outside diameter	Shell size		Max.	Min.							Shell size	Thread ASME B1.1														
																	Shell size	Thread ASME B1.1										
N2HKD	12	06/07	10	6	3	29.9	18.0	21.0	6	68	24.0	6	56	5.0	7.5	10SL	9/16-	24UNEF-2B										
			12																7	4	26.5	7	58	12S	11/16	24UNEF-2B		
			14																23.8	26.8	26.5	7.5	14S	3/4	20UNEF-2B			
			16																26.0	29.0	26.5	7.5	16/16S	7/8	20UNEF-2B			
	16	08/11	10	8	4	29.9	18.0	21.0	8	70	24.0	8	58	5.0	7.5	10SL	9/16	24UNEF-2B										
			12																11	8	26.5	11	58	12S	11/16	24UNEF-2B		
			14																23.8	26.8	26.5	11	58	14S	3/4	20UNEF-2B		
			16																26.0	29.0	26.5	11	58	16/16S	7/8	20UNEF-2B		
		18	11	22	8	8	29.9	26.0	29.0	11	71	26.5	11	58	7.5	7.5	18	1-	20UNEF-2B									
																				20	29.7	32.7	28.5	11	58	20	1-1/8-	18UNEF-2B
																				22	33.5	36.5	29.5	11	58	22	1-1/4-	18UNEF-2B
																				24	37.0	40.0	30.5	11	58	24	1-1/4-	18UNEF-2B
	20	08/12/14	14	8	6	34.4	23.8	26.8	8	70	26.5	8	59	7.5	7.5	14S	3/4-	20UNEF-2B										
																			16	26.0	29.0	26.5	8	59	16/16S	7/8-	20UNEF-2B	
																			18	29.7	32.7	28.5	8	59	18	1-	20UNEF-2B	
																			20	33.5	36.5	29.5	12	59	20	1-1/8-	18UNEF-2B	
		12/14	14	22	8	6	34.4	26.0	29.0	12	72	29.5	12	59	7.5	7.5	20	1-1/8-	18UNEF-2B									
																				16	29.7	32.7	28.5	12	59	22	1-1/4-	18UNEF-2B
																				18	33.5	36.5	29.5	14	60	24	1-3/8-	18UNEF-2B
																				20	37.0	40.0	30.5	14	60	24	1-3/8-	18UNEF-2B
	25	08/12	18	8	6	40.8	29.7	32.7	8	71	28.5	8	63	7.5	7.5	18	1-	20UNEF-2B										
																			20	33.5	36.5	29.5	8	63	20	1-1/8-	18UNEF-2B	
																			22	37.0	40.0	30.5	12	62	22	1-1/4-	18UNEF-2B	
																			24	40.6	43.6	34.0	16	64	24	1-3/8-	18UNEF-2B	
16/19		18	22	8	6	40.8	46.9	49.9	19	85	34.0	19	66	10.0	10.0	28	1-5/8-	18UNEF-2B										
																			24	46.9	49.9	34.0	19	66	28	1-5/8-	18UNEF-2B	
																			28	53.3	56.3	34.0	19	66	32	1-7/8-	16UN-2B	
																			32	59.5	62.5	39.0	19	66	32	1-7/8-	16UN-2B	
32	16/20/24	24	16	12	48.3	33.5	36.5	16	84	29.5	16	64	7.5	7.5	20	1-1/8-	18UNEF-2B											
																		22	37.0	40.0	30.5	16	64	22	1-1/4-	18UNEF-2B		
																		28	40.6	43.6	34.0	20	66	24	1-3/8-	18UNEF-2B		
																		32	46.9	49.9	34.0	24	68	28	1-5/8-	18UNEF-2B		
	24	24	36	16	12	48.3	53.3	56.3	24	90	34.0	24	68	10.0	10.0	32	1-7/8-	16UN-2B										
																			28	59.5	62.5	39.0	24	68	36	2-1/8-	16UN-2B	
																			32	40.6	43.6	34.0	20	70	24	1-3/8-	18UNEF-2B	
																			36	46.9	49.9	34.0	24	71	28	1-5/8-	18UNEF-2B	
40	20/24/28	28	20	16	57.3	53.3	56.3	28	102	34.0	28	75	10.0	10.0	32	1-7/8-	16UN-2B											
																		32	59.5	62.5	39.0	28	75	36	2-1/8-	16UN-2B		
																		36	40.6	43.6	34.0	20	70	24	1-3/8-	18UNEF-2B		
																		36	46.9	49.9	34.0	24	71	28	1-5/8-	18UNEF-2B		

Item no. construction: e.g. N2HKD 161114 : N2HKD SANFLEKI ROBO SIZE 16 + Cable outside diameter 11mm(φ11~φ8) + MS connector Shell size 24

N2 SERIES COUPLING - CABLE GLAND-STYLE FITTING - FOR MS CONNECTOR

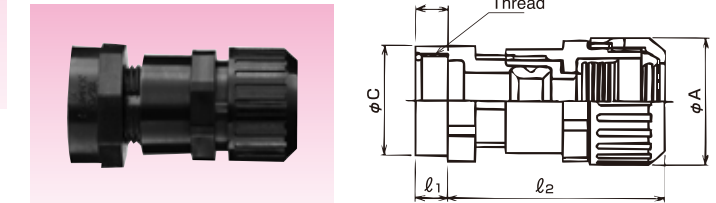
MAIN MATERIAL	FEATURE	FEATURE	FEATURE	ENVIRONMENT	ENVIRONMENT	FLAMMABILITY	TEMPERATURE RANGE
PA66	IP65	Oil resistance	Hold up to vibration	HALOGEN FREE	RoHS	UL94V2	Lowest -20°C ~ Highest 90°C

FOR MS CONNECTOR (Backshell assembled type)



- Cable gland-style combination couplings for SANFLEKI ROBO
- Designed for MS connector (Backshell assembled type)
- Tensile Strength Classification:
 - Between SANFLEKI ROBO size 16 ~ 63 and Coupling: 250N (light by JIS)
- Note: Non-water resistance of the connection between N2HKM and DDK Ltd. CE05 SERIES. Contact us should water resistance be required
- Connectable SANFLEKI ROBO: Refer to the chart
- Delivery and MOQ: Please check with our Sales dept.
- Must be fully tightened on MS connector with a tool (Recommended tool: SUPERTOOL MFT68A). General tightening torque is as indicated in the chart

Shell size	Tightening torque (N·m)	
	N2HKM	
10,14	0.8~1.0	
16~24	2.0~4.0	
32,36	5.0~7.0	



N2HKM

QUALITY STANDARD
JIS C8461-23

[BLACK]

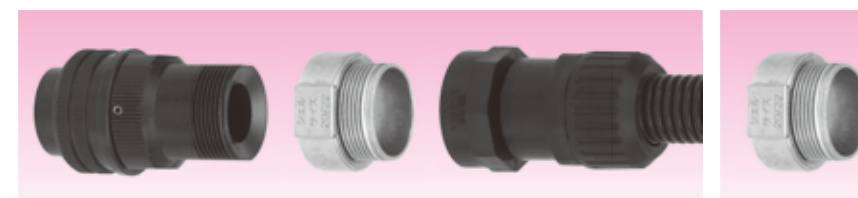
Type	Item number			Connectable SANFLEKI ROBO	Cable outside diameter to be inserted		φA	φC	l ₁	Cable outside diameter (max.)	l ₂	l ₃	Connectable MS connector											
	SANFLEKI ROBO SIZE	Cable outside diameter	Shell size		Max.	Min.							Shell size	Thread ASME B1.1										
															Shell size	Thread ASME B1.1								
N2HKM	12	07	10	7	4	29.9	19.5	9.0	7	58	9.0	9.0	10SL/12S	5/8-	24UNEF-2B									
			14													23.8	26.0	14S	3/4-	20UNEF-2B				
			16													26.0	29.0	16/16S	7/8-	20UNEF-2B				
			18													29.7	35.0	18	1-	20UNEF-2B				
	16	08/11	16	8	4	29.9	19.5	9.0	8	58	9.0	9.0	9.0	10SL/12S	5/8-	24UNEF-2B								
																	14	23.8	26.0	14S	3/4-	20UNEF-2B		
																	18	26.0	29.0	16/16S	7/8-	20UNEF-2B		
																	20	29.7	35.0	18	1-	20UNEF-2B		
		20	08/12/14	18	8	4	34.4	23.8	9.0	8	59	9.0	9.0	9.0	14S	3/4-	20UNEF-2B							
																		16	26.0	29.0	16/16S	7/8-	20UNEF-2B	
																		20	29.7	35.0	18	1-	20UNEF-2B	
																		24	42.1	42.1	20/22	1-3/16-	18UNEF-2B	
	25	08/12	20	8	4	40.8	29.7	9.0	8	63	9.0	9.0	9.0	18	1-	20UNEF-2B								
																	16	35.0	42.1	20/22	1-3/16-	18UNEF-2B		
																	24	42.1	42.1	24/28	1-7/16-	18UNEF-2B		
																	32	50.4	50.4	10.5	32	1-3/4-	18UNS-2B	
		16/19	18	22	8	4	40.8	50.4	10.5	19	66	12.0	12.0	12.0	36	2-	18UNS-2B							
																		20	56.5	56.5	12.0	36	2-	18UNS-2B
																		24	59.5	59.5	12.0	36	2-	18UNS-2B
																		36	67.7	67.7	12.0	36	2-	18UNS-2B
	32	16/20/24	24	16	12	48.3	29.7	9.0	16	64	9.0	9.0	9.0	20/22	1-3/16-	18UNEF-2B								
																	20	35.0	42.1	20	66	24/28	1-7/16-	18UNEF-2B
																	24	42.1	42.1	10.5	32	1-3/4-	18UNS-2B	
																	32	50.4	50.4	12.0	36	2-	18UNS-2B	
20/24		20	22	16	12	48.3	35.0	9.0	20	70	9.0	9.0	9.0	20/22	1-3/16-	18UNEF-2B								
																	24	42.1	42.1	24	71	24/28	1-7/16-	18UNEF-2B
																	32	50.4	50.4	10.5	32	1-3/4-	18UNS-2B	
																	36	56.5	56.5	12.0	36	2-	18UNS-2B	
40	20/24/28	24	20	16	57.3	35.0	9.0	24	71	9.0	9.0	9.0	20/22	1-3/16-	18UNEF-2B									
																24	42.1	42.1	10.5	32	1-3/4-	18UNS-2B		
																32	50.4	50.4	12.0	36	2-	18UNS-2B		
																36	56.5	56.5	12.0	36	2-	18UNS-2B		
50	24/28	32	24	20	67.7	35.0	10.5	24	73	10.5	10.5	10.5	32	1-3/4-	18UNS-2B									
																28	42.1	42.1	12.0	36	2-	18UNS-2B		
																32	50.4	50.4	12.0	36	2-	18UNS-2B		
																36	56.5	56.5	12.0	36	2-	18UNS-2B		

Item no. construction: e.g. N2HKM 160818 : N2HKM SANFLEKI ROBO SIZE 16 + Cable outside diameter 8mm(φ8~φ4) + MS connector Shell size 18

EXTENSION ACCESSORY

MAIN MATERIAL	SURFACE FINISH	FEATURE	TEMPERATURE RANGE
Brass	Electroplated zinc	IP67	Lowest -50°C ~ Highest 150°C

Type RHU

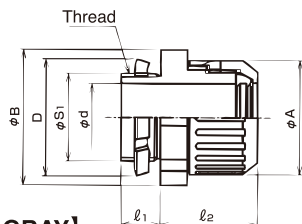
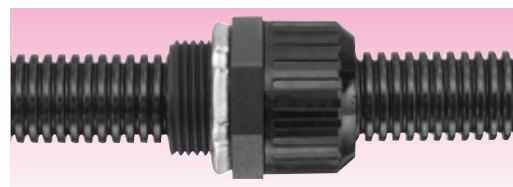


- Extension accessory for N2HKM
- Make it possible for wiring work more efficient
- Look at a page for SANPARTS for more information

N2 SERIES CENTER CONNECTOR

MAIN MATERIAL	FEATURE	FEATURE	FEATURE	FEATURE	ENVIRONMENT	ENVIRONMENT	FLAMMABILITY	TEMPERATURE RANGE
PA66	IP65 (N2V2BG)	Non-water resistance (N2V2BG)	Oil resistance	Hold up to vibration	HALOGEN FREE	RoHS	UL94V2	Lowest -20°C ~ Highest 100°C

PARALLEL PIPE THREAD - EXTERNAL THREAD



- Straight connectors
- Used in the middle of SANFLEKI ROBO
- Non-water resistant
- Available on request: N2V2BG (Water-resistant type)
- Tensile Strength Classification: Between SANFLEKI ROBO size 16 ~ 63 and fitting: 250N (light by JIS)
- Connectable SANFLEKI ROBO: Refer to the chart

QUALITY STANDARD
JIS C8461-23

[BLACK / LIGHT GRAY]

Delivery		Item number		Connectable SANFLEKI ROBO	φA	φB	φD	φd	l1	l2	Thread		Weight (g/pc)	Qty / Package
Black	Light gray	Black	Light gray								JIS B 0202	Nominal size		
③	③	N2VBG 12	N2VBG 12 LG	12	12.0	25.5	29.9	12.5	12	27	20.9	G1/2	15	10
○	○	N2VBG 16	N2VBG 16 LG	16	16.0	29.9	37.9	16.5	12	27	26.4	G3/4	22	10
○	○	N2VBG 20	N2VBG 20 LG	20	20.0	34.4	37.9	20.4	12	28	26.4	G3/4	23	10
○	○	N2VBG 25	N2VBG 25 LG	NS	25	40.8	46.4	25.7	14	32	33.2	G1	37	10
○	○	N2VBG 32	N2VBG 32 LG	NP	32	48.3	55.9	32.7	14	32	41.9	G1-1/4	53	5
○	③	N2VBG 40	N2VBG 40 LG	NF	40	57.3	63.1	40.8	16	36	47.8	G1-1/2	78	5
③	③	N2VBG 50	N2VBG 50 LG		50	67.7	74.4	51.0	16	37	59.6	G2	99	5
③	③	N2VBG 63	N2VBG 63 LG		63	80.9	93.0	64.1	18	41	75.1	G2-1/2	154	5



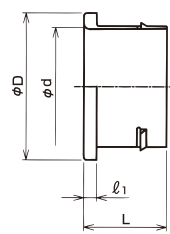
NON-METALLIC BUSHING

FOR END OF SANFLEKI ROBO



[BLACK / LIGHT GRAY]

Delivery		Item number		Connectable SANFLEKI ROBO	Cable max outside diameter to be inserted	φD	φd	l1	L	Weight (g/pc)	Qty / Package	
Black	Light gray	Black	Light gray									
○	○	NBI 12	NBI 12 LG	12	6	12	6.5	2.8	16.2	1	30	
○	○	NBI 16	NBI 16 LG	16	9	16	9.8	2.8	16.7	1	30	
○	○	NBI 20	NBI 20 LG	NS	20	12	13.5	3.0	17.4	2	30	
○	○	NBI 25	NBI 25 LG	NP	25	16	17.3	3.0	18.9	2	30	
○	○	NBI 32	NBI 32 LG	NF	32	23	23.7	3.5	20.7	3	20	
○	○	NBI 40	NBI 40 LG		40	30	31.2	3.5	22.6	4	20	
○	○	NBI 50	NBI 50 LG	NS	50	39	39.8	4.0	24.9	9	10	
○	○	NBI 63	NBI 63 LG		63	52	52.5	4.0	27.7	13	10	
○	⑤	NBI 50NP	NBI 50NPLG	NP	50	49	50	41.0	4.0	24.9	9	10
○	⑤	NBI 63NP	NBI 63NPLG	NF	63	52	53.5	4.0	27.7	13	10	

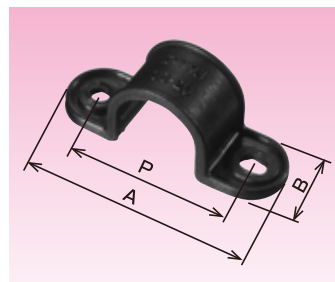


SADDLE

FOR SANFLEKI ROBO (METRIC SIZE)

SADDLE (TWO SIDE FIXED TYPE)

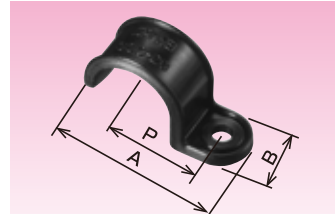
- Saddle for SANFLEKI ROBO
- Connectable SANFLEKI ROBO: Refer to the chart



[BLACK / LIGHT GRAY]

Delivery		Item number		Connectable SANFLEKI ROBO	A	B	φ d x L (Oval hole dia. width x length)	H (Height)	P	T (Wall thickness)	Weight (g/pc)	Qty / Package
Black	Light gray	Black	Light gray									
○	○	SS 12	SS 12 LG	12	45	16	5×7	13.9	31	2.5	2.4	30
○	○	SS 16	SS 16 LG	16	49	16	5×7	17.9	35	2.5	2.3	30
○	○	SS 20	SS 20 LG	NS	20	56	5×7	22.3	40	3.0	4.0	30
○	○	SS 25	SS 25 LG	NP	25	61	5×7	27.3	45	3.0	4.5	30
○	○	SS 32	SS 32 LG	NF	32	68	5×7	34.1	52	3.0	6.0	20
○	○	SS 40	SS 40 LG	NT	40	79	6×8	42.4	61	3.5	10.4	20
○	○	SS 50	SS 50 LG		50	89	6×8	52.4	71	3.5	12.7	10
○	○	SS 63	SS 63 LG		63	102	6×8	65.4	84	3.5	15.0	10

SADDLE (ONE SIDE FIXED TYPE)



[BLACK / LIGHT GRAY]

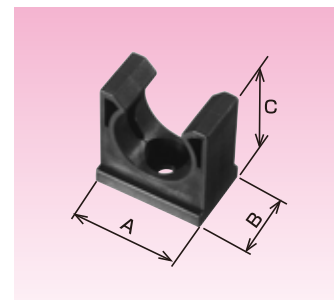
Delivery		Item number		Connectable SANFLEKI ROBO	A	B	φ d (Hole dia.)	H (Height)	P	T (Wall thickness)	Weight (g/pc)	Qty / Package	
Black	Light gray	Black	Light gray										
○	○	SSO 12	SSO 12 LG	NS	12	29	14	5	13.9	14.5	2.5	1.2	20
○	○	SSO 16	SSO 16 LG	NP	16	33	14	5	17.9	16.5	2.5	1.5	20
○	○	SSO 20	SSO 20 LG	NF	20	39	15	5	22.3	19.0	3.0	3.0	20
○	○	SSO 25	SSO 25 LG		25	44	16	5	27.3	21.5	3.0	3.5	20
○	○	SSO 32	SSO 32 LG	NT	32	51	17	5	34.1	25.0	3.0	3.8	10

SADDLE

FOR SANFLEKI ROBO (METRIC SIZE)

MAIN MATERIAL	FEATURE	ENVIRONMENT	FLAMMABILITY	TEMPERATURE RANGE
PA6	Oil resistance	RoHS	UL94V0	Lowest -20°C ~ Highest 100°C

SADDLE (CENTER-FIXED TYPE)



[BLACK / LIGHT GRAY]

Delivery		Item number		Connectable SANFLEKI ROBO	A	B	C	φ E Hole dia. (at the bottom)	φ F Hole dia. (at the top)	Weight (g/pc)	Qty / Package
Black	Light gray	Black	Light gray								
○	○	SSC 12	SSC 12 LG	12	17.8	17	20.4	5.2	10.5	2.7	20
○	○	SSC 16	SSC 16 LG	16	21.8	17	24.4	5.2	10.5	3.7	20
○	○	SSC 20	SSC 20 LG	NS	20	27.6	18	28.5	5.2	5.1	20
○	○	SSC 25	SSC 25 LG	NP	25	32.6	18	33.5	5.2	6.3	20
○	○	SSC 32	SSC 32 LG	NF	32	41.5	18	40.5	5.2	8.7	10
○	○	SSC 40	SSC 40 LG	NT	40	49.5	19	49.8	6.2	12.3	10
○	○	SSC 50	SSC 50 LG		50	61.3	19	59.7	6.2	16.3	5
○	⑤	SSC 63	SSC 63 LG		63	74.3	19	72.7	6.2	20.8	5

SADDLE CLIP-ON TYPE (CENTER-FIXED TYPE)

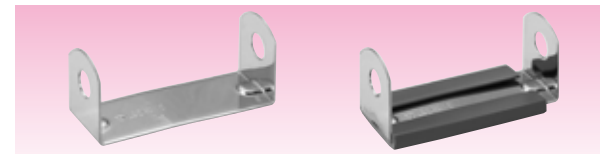


under development

[BLACK / LIGHT GRAY]

Delivery		Item number		Connectable SANFLEKI ROBO	A	B	C	φ E Hole dia. (at the bottom)	φ F Hole dia. (at the top)	Weight (g/pc)	Qty / Package
Black	Light gray	Black	Light gray								
☆	☆	12	12 LG	12							
☆	☆	16	16 LG	16							
☆	☆	20	20 LG	NS							
☆	☆	25	25 LG	NP							
☆	☆	32	32 LG	NF							
☆	☆	40	40 LG	NT							
☆	☆	50	50 LG								
☆	☆	63	63 LG								

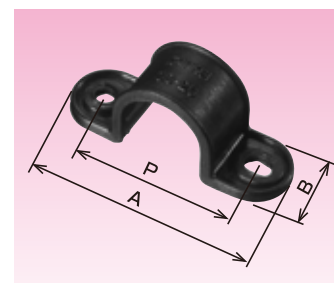
SADDLE (TWO SIDE FIXED TYPE FOR TWO SANFLEKI ROBO) / SADDLE (TWO SIDE FIXED TYPE FOR THREE SANFLEKI ROBO)



- Metallic saddle for SANFLEKI ROBO
- Style Availability: Two side fixed type for two (2) SANFLEKI ROBO / Two side fixed type for three (3) SANFLEKI ROBO
- Refer to a page for SANPIPE for more information of LS2A, LS2AV
- Connectable SANFLEKI ROBO: Refer to the chart

FOR SANFLEKI ROBO (EUROPEAN SIZE)

SADDLE (TWO SIDE FIXED TYPE)



[BLACK]

Delivery	Item number	Connectable SANFLEKI ROBO	A	B	φ d x L (Oval hole dia. width x length)	H (Height)	P	T (Wall thickness)	Weight (g/pc)	Qty / Package	
○	SS 16		16	49	16	5×7	17.9	35	2.5	2.3	30
○	SS 21	NS	21	57	18	5×7	23.5	41	3.0		30
○	SS 28	NRS	28	64	18	5×7	30.8	48	3.0		30
○	SS 34	NRF	34	70	18	5×7	36.6	54	3.0		20
○	SS 42		42	81	20	6×8	44.9	63	3.5		20
○	SS 54		54	93	20	6×8	56.9	75	3.5		10

SADDLE CLIP-ON TYPE (CENTER-FIXED TYPE)



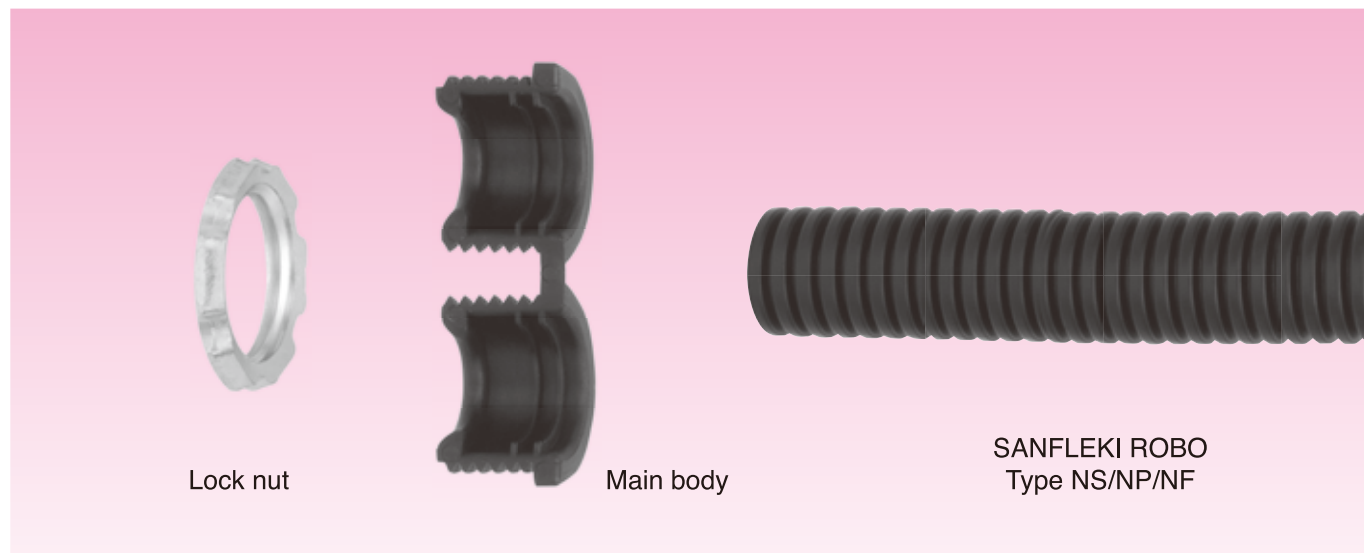
under development

[BLACK]

Delivery	Item number	Connectable SANFLEKI ROBO	A	B	φ d x L (Oval hole dia. width x length)	H (Height)	P	T (Wall thickness)	Weight (g/pc)	Qty / Package
☆	16									
☆	21	NS								
☆	28	NRS								
☆	34	NRF								
☆	42									
☆	54									

N3 SERIES FITTING

CONSTRUCTION



FEATURE

- Simple structure: Connect SANFLEKI ROBO to an installaton place only with Lock nut
- Non-water resistant

CONNECTABLE SANFLEKI ROBO

Connectable SANFLEKI ROBO is as indicated in the chart

CONNECTABLE SANFLEKI ROBO	備考
NS/NP/NF	

COLOR

- Black
- Available on request : Light gray

MATERIALS

Material information is as below unless otherwise specified

PART NAME	MATERIAL	FINISH
MAIN BODY	PA	-
LOCK NUT	SPHC	ELECTROPLATED ZINC

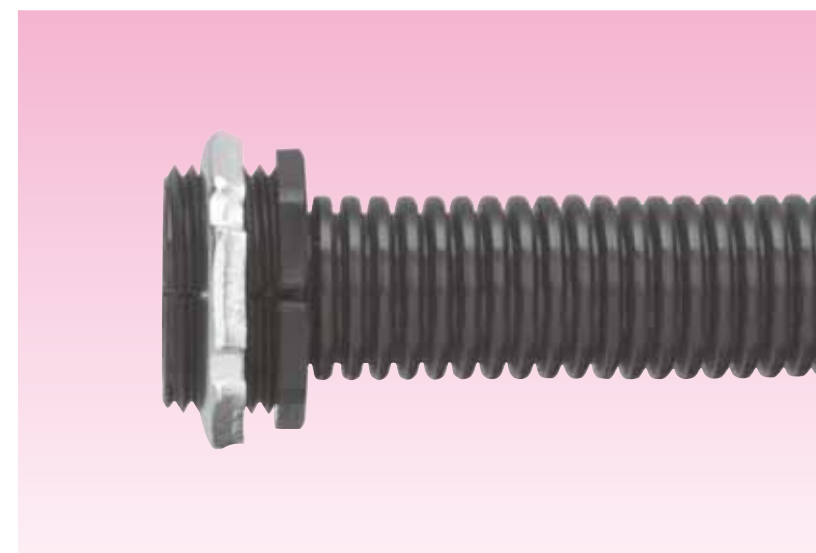
SAFEKEEPING

- In terms of Light gray types; take them out of shipping cartons and keep them by the different means of storage as soon as goods are delivered . Otherwise, the goods are likely to yellow.

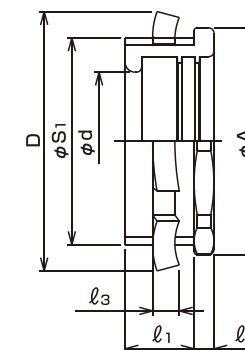
N3 SERIES FITTING FOR KNOCKOUT

PARALLEL PIPE THREAD - EXTERNAL THREAD

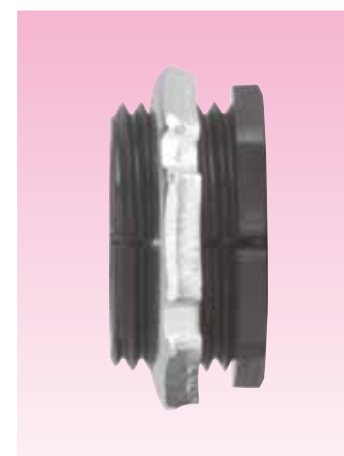
MAIN MATERIAL	FEATURE	FEATURE	ENVIRONMENT	ENVIRONMENT	FLAMMABILITY	TEMPERATURE RANGE
PA66	Non-water resistance	Oil resistance	HALOGEN FREE	RoHS	UL94V2	Lowest -20°C ~Highest 100°C



- Connectors
- Irregular thread type
- Designed for knockout of wiring boxes
- Tensile Strength Classification:
Between SANFLEKI ROBO size 16 ~ 63 and fitting: 250N (light by JIS)
- Connectable SANFLEKI ROBO: Refer to the chart



REGULAR TYPE



[BLACK]

Deli-very	Item number	Connectable SANFLEKI ROBO	φ A	D	φ d	l ₁	l ₂	l ₃	Thread JIS B 0202		Weight (g/pc)	Qty / Package
									φ S ₁	Nominal size		
○	N3BG 12 12	NS NP NF	12	19.6	21	7.6	12	3.0	3.0	16.6	G3/8	
○	N3BG 16 16		16	23.9	27	11.1	12	3.0	3.8	20.9	G1/2	
○	N3BG 20 22		20	29.4	34	14.7	12	3.0	3.8	26.4	G3/4	
○	N3BG 25 28		25	37.2	43	18.8	14	4.0	4.5	33.2	G 1	
☆	N3BG 32 36		32									
☆	N3BG 40 42		40									
☆	N3BG 50 54		50									
☆	N3BG 63 70		63									

N SERIES FITTING

CONSTRUCTION

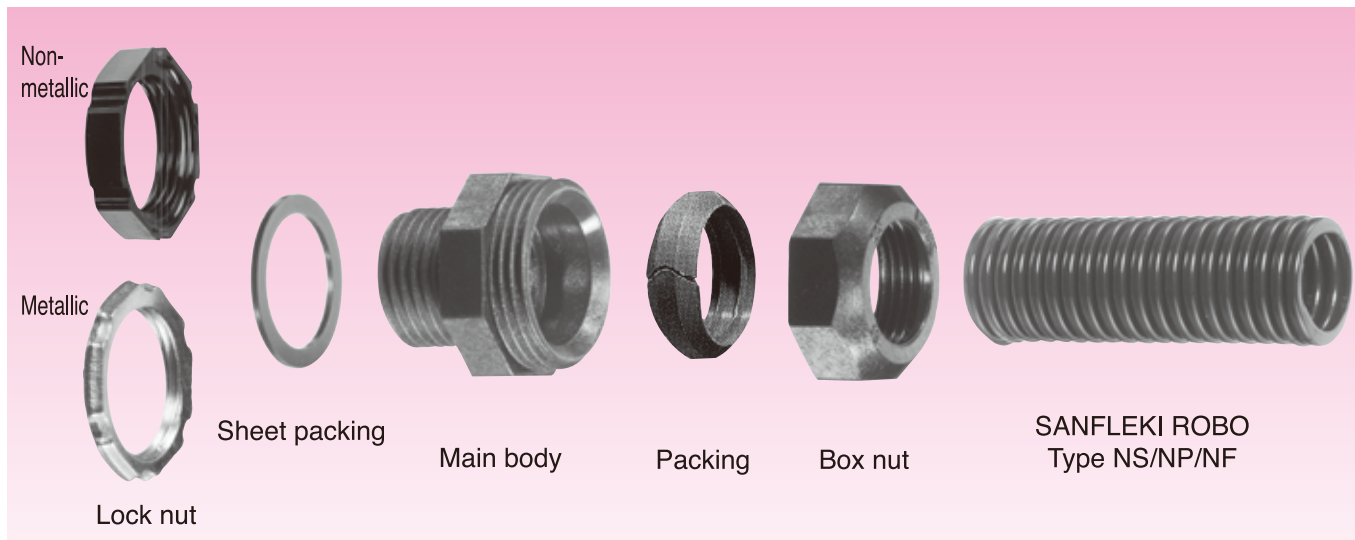
- N SERIES FITTING for SANFLEKI ROBO Type NS/NP/NF
- Color of REGULAR TYPE : Black
- NOTE: Although product types are awarded quality approvals/compliance by UL/CSA, some products are not marked with approvals/compliance (or not awarded approvals/compliance yet) because of their sizes. Please check with us should UL/CSA approvals/compliance be required.

COLOR OF FITTING & MATERIALS OF LOCK NUT

COLOR OF FITTING	MATERIALS OF LOCK NUT	
	G THREAD	PA
BLACK (REGULAR TYPE)	OTHER THREAD	METALLIC

SAFEKEEPING

- In terms of Light gray types / ivory types; take them out of shipping cartons and keep them by the different means of storage as soon as goods are delivered . Otherwise, the goods are likely to yellow.



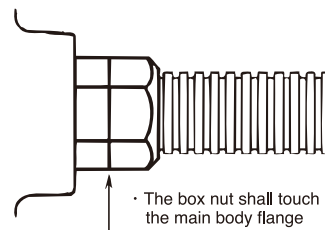
THE POSITION OF PA PACKING

Thread PA packing onto SANFLEI ROBO as the drawing shows.



For NS nominal size 32 or bigger size: PA packing shall be positioned in 4th and 5th hollows of corrugated surface.

For the other size: PA packing shall be positioned in 3rd and 4th hollows of corrugated surface.



The box nut shall touch the main body flange

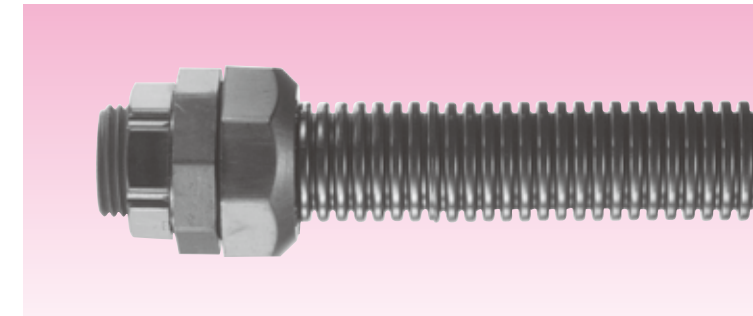
INSTRUCTION TO TIGHTEN A BOX NUT

- Tighten the box nut with a tool (e.g. Super tool MF280) as completely as the box nut touches the main body flange, but not as tightly as the tool slips off the box nut head

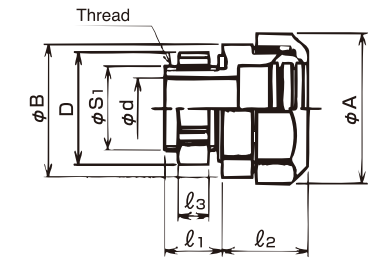
N SERIES FITTING FOR KNOCKOUT

MAIN MATERIAL	FEATURE	FEATURE	ENVIRONMENT	FLAMMABILITY	TEMPERATURE RANGE
PA6	IP65	Oil resistance	RoHS	UL94V0	Lowest -20°C ~Highest 90°C

PARALLEL PIPE THREAD - EXTERNAL THREAD

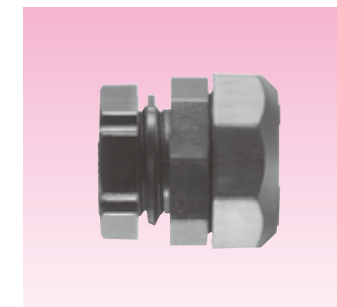


- Straight connectors
- Designed for knockout of wiring boxes
- Tensile Strength Classification:
Between SANFLEKI ROBO size 16 ~ 63 and fitting: 250N (light by JIS)
- Connectable SANFLEKI ROBO: Refer to the chart



FileNo.167112	QUALITY STANDARD	QUALITY STANDARD
	JIS C8461-23	JIS C8461-23

REGULAR TYPE



[BLACK]

Deliv-ery	Item number	Connectable SANFLEKI ROBO	Cable max outside diameter to be inserted	φA	φB D	φd	l1	l2	l3	Thread JIS B 0202		Weight (g/pc)	Qty / Package
										φS1	Nominal size		
⊙	NBG 12	12	8	24.5	31.1	9.1	13	16	7	20.9	G1/2	14	20
⊙	NBG 16	16	11	28.8	31.1	12.0	13	18	7	20.9	G1/2	15	20
⊙	NBG 20	20	13	34.2	31.1	14.4	13	19	7	20.9	G1/2	17	20
⊙	NBG 25	25	19	41.5	38.6	19.9	14	21	8	26.4	G3/4	25	20
⊙	NBG 32	32	25	50.0	47.9	26.0	15	24	9	33.2	G 1	41	10
⊙	NBG 40	40	32	59.5	60.2	33.3	16	28	10	41.9	G1-1/4	66	5
⊙	NBG 50	50	39	70.3	68.4	39.9	16	32	10	47.8	G1-1/2	83	5
⊙	NBG 63	63	51	84.4	79.0	51.7	18	36	11	59.6	G 2	120	2

OTHER COLOR TYPE



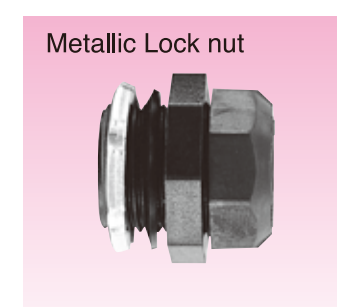
[LIGHT GRAY]

Deliv-ery	Item number	l1	l3	Qty / Package
⊙	NBG 12 LG	13	3.8	20
⊙	NBG 16 LG	13	3.8	20
⊙	NBG 20 LG	13	3.8	20
⊙	NBG 25 LG	14	3.8	20
⊙	NBG 32 LG	15	4.5	10
⊙	NBG 40 LG	16	4.5	5
⊙	NBG 50 LG	16	5	5
⊙	NBG 63 LG	18	5	2

[IVORY]

Deliv-ery	Item number	l1	l3	Qty / Package
⊙	NBG 12 IV	13	3.8	20
⊙	NBG 16 IV	13	3.8	20
⊙	NBG 20 IV	13	3.8	20
⊙	NBG 25 IV	14	3.8	20
⊙	NBG 32 IV	15	4.5	10
⊙	NBG 40 IV	16	4.5	5
⊙	NBG 50 IV	16	5	5
⊙	NBG 63 IV	18	5	2

IRREGULAR THREAD TYPE



[BLACK]

Deliv-ery	Item number	Connectable SANFLEKI ROBO	Cable max outside diameter to be inserted	φA	φB D	φd	l1	l2	l3	Thread JIS B 0202		Weight (g/pc)	Qty / Package
										φS1	Nominal size		
⊙	NBG 12 12	12	8	24.5	26.7	9.1	12	16	3.0	16.6	G3/8	10	20
⊙	NBG 16 12	16	10	28.8	27.8	11.0	12	18	3.0	16.6	G3/8	11	20
⊙	NBG 16 22		11		38.6	11.9	14	18	3.8	26.4	G3/4	18	20
⊙	NBG 20 22	20	14	34.2	38.6	15.2	14	19	3.8	26.4	G3/4	20	20
⊙	NBG 20 28		14		47.9	15.2	15	19	4.5	33.2	G 1	29	20
⊙	NBG 25 16	25	13	41.5	38.6	14.4	13	21	3.8	20.9	G1/2	21	20
⊙	NBG 25 28		19		47.9	20.0	15	21	4.5	33.2	G 1	36	20
⊙	NBG 40 54	40	33	59.5	79.0	34.0	18	28	5.0	59.6	G 2	99	5

LONG THREAD TYPE



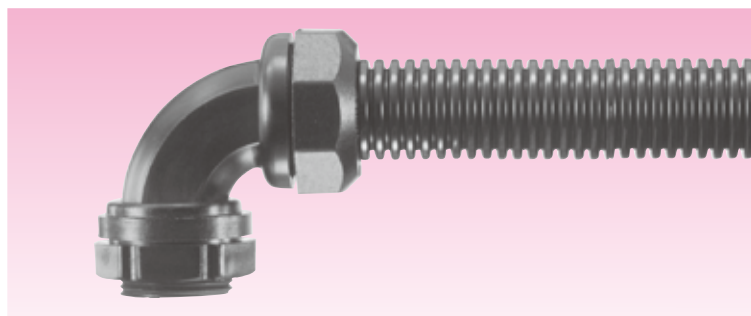
[BLACK]

Deliv-ery	Item number	Connectable SANFLEKI ROBO	Cable max outside diameter to be inserted	φA	φB D	φd	l1	l2	l3	Thread JIS B 0202		Weight (g/pc)	Qty / Package
										φS1	Nominal size		
⊙	NBG 16 L21	16	11	28.8	31.1	12.0	21	18	3.8	20.9	G1/2	15	20
⊙	NBG 20 L21	20	14	34.2	31.1	14.7	21	19	3.8	20.9	G1/2	16	20
⊙	NBG 25 L21	25	19	41.5	38.6	20.2	21	21	3.8	26.4	G3/4	24	20
⊙	NBG 32 L24		19		47.9	26.3	24	24	4.5	33.2	G1	40	10
⊙	NBG 40 L24	40	33	59.5	60.2	33.7	24	28	4.5	41.9	G1-1/4	64	5
⊙	NBG 50 L24		39		70.3	68.4	40.3	24	32	5.0	47.8	G1-1/2	82

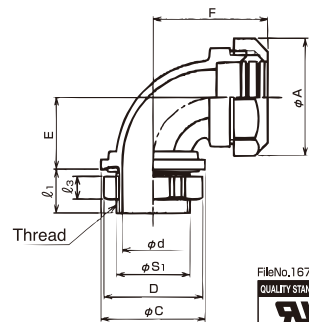
N SERIES 90 DEGREE ANGLE STYLE FITTING FOR KNOCKOUT

MAIN MATERIAL	FEATURE	FEATURE	ENVIRONMENT	FLAMMABILITY	TEMPERATURE RANGE
PA6	IP65	Oil resistance	RoHS	UL94V0	Lowest -20°C ~Highest 90°C

PARALLEL PIPE THREAD - EXTERNAL THREAD



- 90 degree angle-style connectors
- Designed for knockout of wiring boxes
- Tensile Strength Classification:
Between SANFLEKI ROBO size 16 ~ 63 and fitting: 250N (light by JIS)
- Connectable SANFLEKI ROBO: Refer to the chart



FileNo.167112	QUALITY STANDARD	QUALITY STANDARD
	UL	JIS C8461-23

REGULAR TYPE



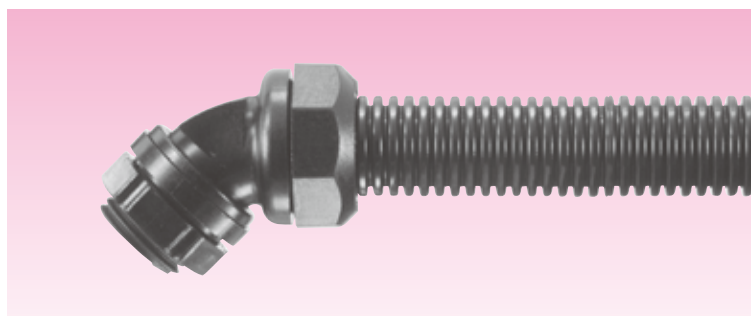
[BLACK]

Delivery	Item number	Connectable SANFLEKI ROBO	Cable max outside diameter to be inserted	φA	φC	φD	φd	E	F	l1	l3	Thread JIS B 0202		Weight (g/pc)	Qty / Package
												φS1	Nominal size		
○	N90BG 12	12	8	24.5	28.8	9.1	21	29	13	7	20.9	G 1/2	16	20	
○	N90BG 16	16	11	28.8	28.8	12.0	23	33	13	7	20.9	G 1/2	21	20	
○	N90BG 20	20	13	34.2	28.8	14.4	25	36	13	7	20.9	G 1/2	26	20	
○	N90BG 25	NS	25	19	41.5	37.0	19.9	27	40	14	8	26.4	G 3/4	39	10
○	N90BG 32		32	25	50.0	45.5	26.0	31	46	15	9	33.2	G 1	59	10
○	N90BG 40	NF	40	33	59.5	56.0	34.0	36	54	16	10	41.9	G 1-1/4	93	5
○	N90BG 50		50	39	70.3	64.0	40.0	42	63	16	10	47.8	G 1-1/2	125	5
○	N90BG 63	63	51	84.4	78.6	51.9	49	74	18	11	59.6	G 2	170	5	

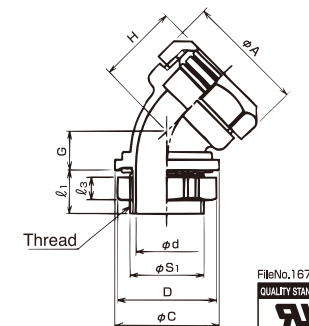
N SERIES 45 DEGREE ANGLE STYLE FITTING FOR KNOCKOUT

MAIN MATERIAL	FEATURE	FEATURE	ENVIRONMENT	FLAMMABILITY	TEMPERATURE RANGE
PA6	IP65	Oil resistance	RoHS	UL94V0	Lowest -20°C ~Highest 90°C

PARALLEL PIPE THREAD - EXTERNAL THREAD



- 45 degree angle-style connectors
- Designed for knockout of wiring boxes
- Tensile Strength Classification:
Between SANFLEKI ROBO size 16 ~ 63 and fitting: 250N (light by JIS)
- Connectable SANFLEKI ROBO: Refer to the chart



FileNo.167112	QUALITY STANDARD	QUALITY STANDARD
	UL	JIS C8461-23

REGULAR TYPE



[BLACK]

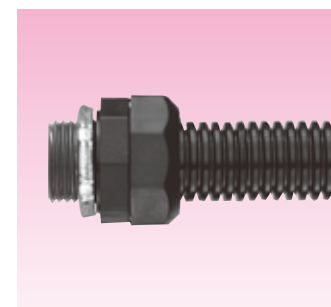
Delivery	Item number	Connectable SANFLEKI ROBO	Cable max outside diameter to be inserted	φA	φC	φD	φd	G	H	l1	l3	Thread JIS B 0202		Weight (g/pc)	Qty / Package
												φS1	Nominal size		
○	N45BG 12	12	8	24.5	28.8	9.1	12	21	13	7	20.9	G 1/2	15	20	
○	N45BG 16	16	11	28.8	28.8	12.0	13	22	13	7	20.9	G 1/2	17	20	
○	N45BG 20	20	13	34.2	28.8	14.4	13	25	13	7	20.9	G 1/2	21	20	
○	N45BG 25	NS	25	19	41.5	37.0	19.9	15	28	14	8	26.4	G 3/4	32	10
○	N45BG 32		32	25	50.0	45.5	26.0	16	31	15	9	33.2	G 1	49	10
○	N45BG 40	NF	40	33	59.5	56.0	34.0	19	38	16	10	41.9	G 1-1/4	83	5
○	N45BG 50		50	39	70.3	64.0	39.9	21	42	16	10	47.8	G 1-1/2	97	5
○	N45BG 63	63	51	84.4	78.6	51.8	24	49	18	11	59.6	G 2	147	5	

N SERIES FITTING

MAIN MATERIAL	FEATURE	FEATURE	ENVIRONMENT	FLAMMABILITY	TEMPERATURE RANGE
PA6	IP65	Oil resistance	RoHS	UL94V0	Lowest -20°C ~Highest 90°C

N SERIES FITTING TYPICAL TYPES

- N SERIES FITTING typical types (Size range: no. 12 ~ no. 63)
- Contact us for more information



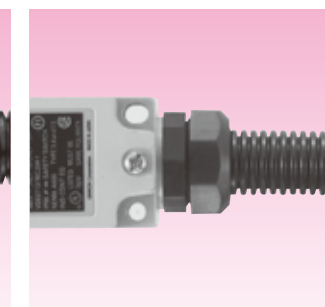
NBC (例)



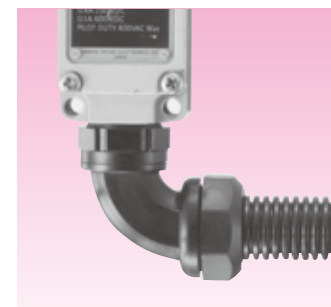
N90BC (例)



N45BC (例)



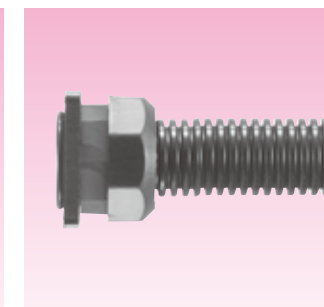
NOG/NOM/NOPg (例)



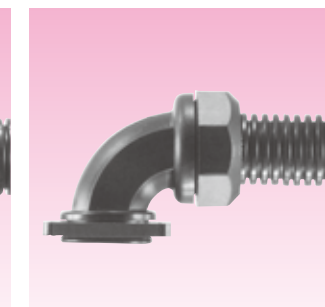
N90OG (例)



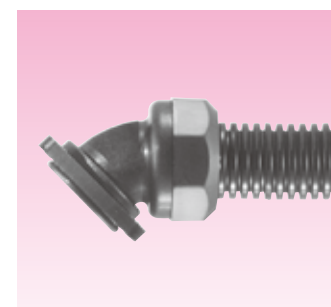
N45OG (例)



NZS (例)



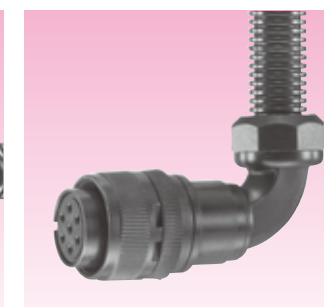
N90ZS (例)



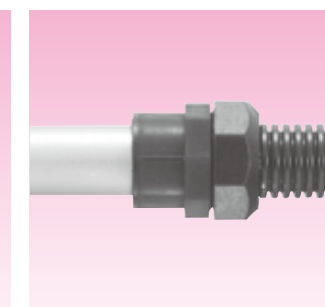
N45ZS (例)



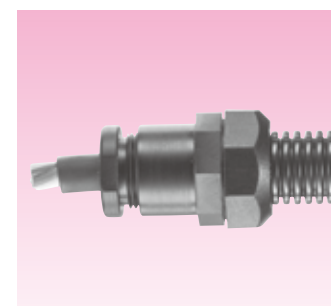
NKD/NKM (例)



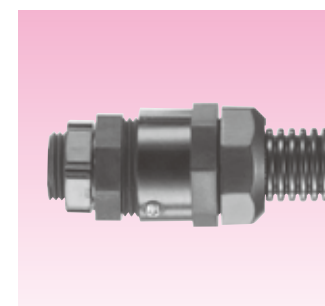
N90KD/N90KM (例)



NKG/NKC (例)



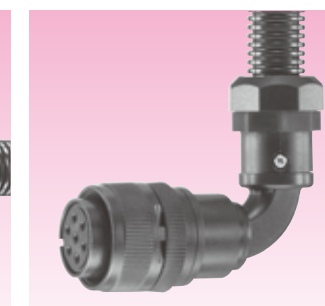
NHBI (例)



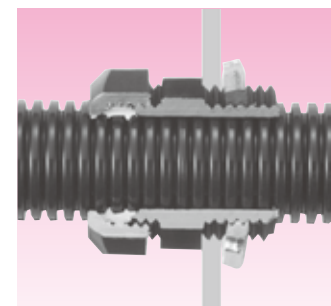
NHBG (例)



NHKD/NHKM (例)

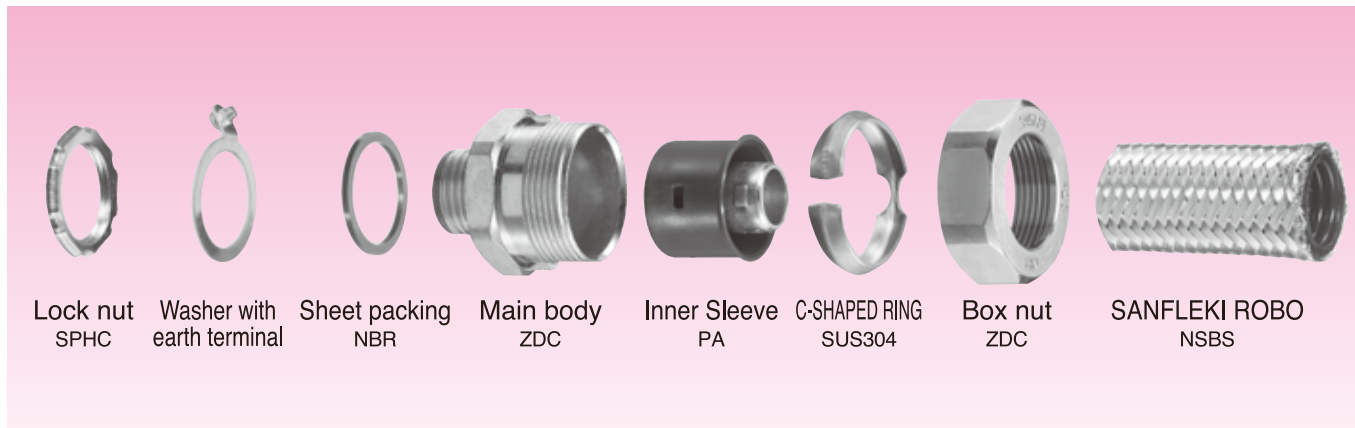


N90HKD/N90HKM (例)



NVBG (例)

NB SERIES FITTING

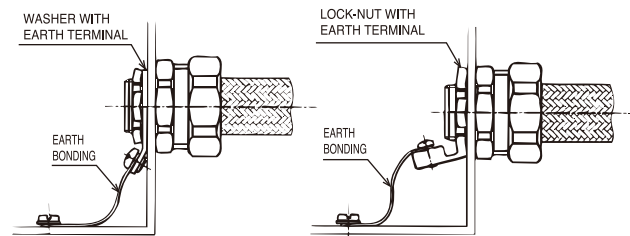


CONSTRUCTION

- NB SERIES FITTING for SANFLEKI ROBO Type NSBS
- Metallic characteristic for electrical noise solution

EARTH BONDING

- Use WASHER WITH EARTH TERMINAL (Type RWEG) / LOCK-NUT WITH EARTH TERMINAL (RLEG) for secure earth bonding



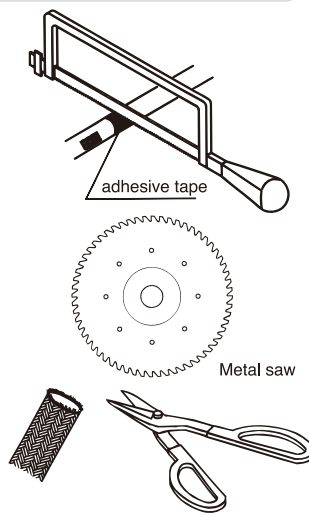
TO CUT SANFLEKI ROBO

- Take the following action in order to prevent the components of SANFLEKI ROBO type NSBS from separating out

- 1) Fasten adhesive tape twice around an area to be cut off
- 2) After cutting off the area of 1), remove all metal burrs from the cut end of NSBS by using a pair of scissors

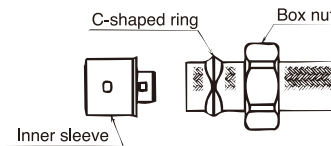
- SANFLEKI ROBO type NSBS can be cut off by using a cutting machine or a hacksaw
- A cutting machine / a hacksaw: unavailable in our product line

- A metal saw (KFTL202) for a cutting machine is available
- Refer to the page for KFTL202 for more information



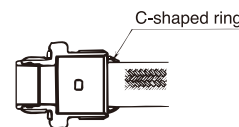
ASSEMBLY INSTRUCTION

1. Thread Box nut, C-shaped ring onto SANFLEKI ROBO type NSBS as the drawing shows
2. Insert Inner sleeve into the edge of NSBS completely

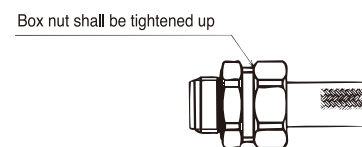


3. Combine Main body of connector with the inner sleeve
4. Move the c-shaped ring toward the main body and then tighten the box nut by hand.

Note: Adhesive tape shall not be disturb the electrical connection b/w the c-shaped ring and NSBS



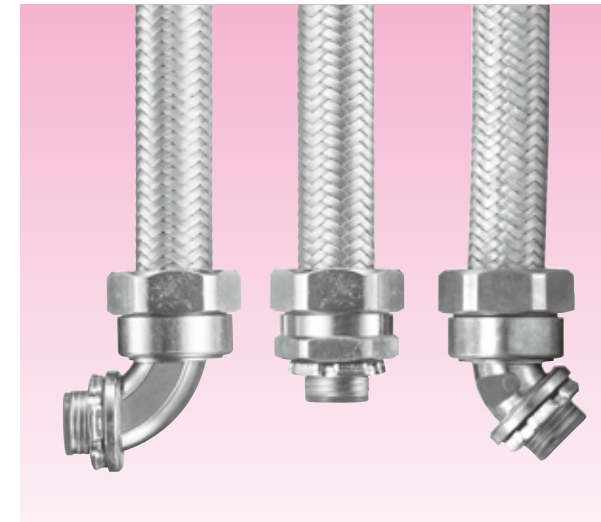
5. Tighten the box nut with a tool (e.g. Super tool MF280) as completely as the box nut touches the main body flange



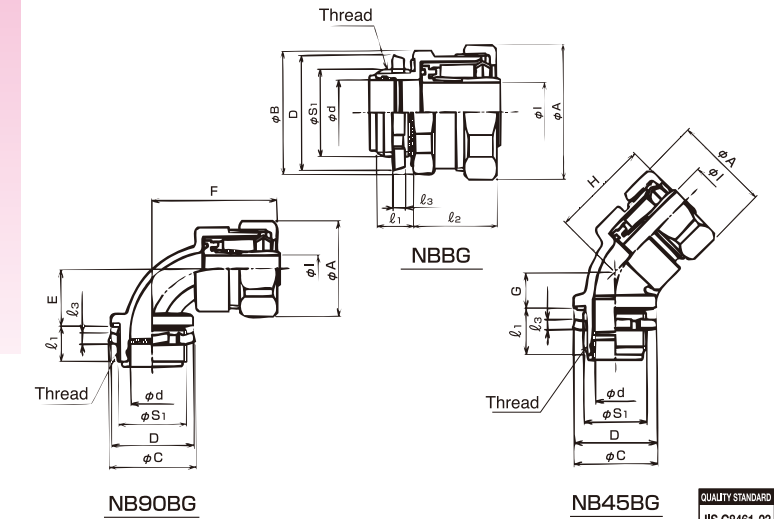
NB SERIES FITTING FOR KNOCKOUT

SURFACE FINISH	SURFACE FINISH	FEATURE	FEATURE	FEATURE	ENVIRONMENT	TEMPERATURE RANGE
ZDC2	Electroplated zinc	IP65	EMI	Spatter resistance	RoHS	Lowest -20°C ~Highest 90°C

PARALLEL PIPE THREAD - EXTERNAL THREAD



- Connectors
- Designed for knockout of wiring boxes
- Style Availability: Straight / 45 degree angle-style / 90 degree angle-style
- Tensile Strength Classification:
 - Between SANFLEKI ROBO and fitting: 250N (light by JIS)
- Connectable SANFLEKI ROBO: Refer to the chart



STRAIGHT STYLE



Deliv-ery	Item number	Connectable SANFLEKI ROBO	Cable max outside diameter to be inserted	φ A	φ B D	φ d φ l	l ₁	l ₂	l ₃	Thread JIS B 0202		Weight (g/pc)	Qty / Package	
										φ S ₁	Nominal size			
○	NBBG 12	NSBS	12	5	28.7	29.0	5.5	10	24	3.8	20.9	G1/2	66	20
○	NBBG 16		16	8	32.0	32.0	9.2	10	24	3.8	20.9	G1/2	77	20
○	NBBG 20		20	11	38.0	35.3	12.0	10	25	3.8	20.9	G1/2	97	20
○	NBBG 25		25	15	45.3	42.0	16.2	12	27	3.8	26.4	G3/4	137	20
○	NBBG 32		32	22	51.4	47.2	22.2	14	29	4.5	33.2	G1	188	10
○	NBBG 40		40	28	61.1	56.7	29.0	14	32	4.5	41.9	G1-1/4	282	5
○	NBBG 50		50	38	73.2	68.4	28.5	16	36	5	47.8	G1-1/2	407	5
○	NBBG 63		63	49	87.2	82.2	49.5	16	43	5	59.6	G2	568	5

90 DEGREE ANGLE STYLE



Deliv-ery	Item number	Connectable SANFLEKI ROBO	Cable max outside diameter to be inserted	φ A	φ C D	φ d φ l	E	F	l ₁	l ₃	Thread JIS B 0202		Weight (g/pc)	Qty / Package	
											φ S ₁	Nominal size			
○	NB90BG 12	NSBS	12	5	28.7	29	5.5	16.2	38	10	3.8	20.9	G1/2	82	10
○	NB90BG 16		16	8	32.0	29	9.2	18.6	39	10	3.8	20.9	G1/2	96	10
○	NB90BG 20		20	11	38.0	29	12.0	19.5	42	10	3.8	20.9	G1/2	130	10
○	NB90BG 25		25	15	45.3	36	16.2	24.5	47	12	3.8	26.4	G3/4	185	10
○	NB90BG 32		32	22	51.4	44	22.2	28.5	54	14	4.5	33.2	G1	286	10
○	NB90BG 40		40	28	61.1	53	29.0	32.6	61	14	4.5	41.9	G1-1/4	413	5
○	NB90BG 50		50	38	73.2	61	38.5	40.6	69	16	5	47.8	G1-1/2	605	5
○	NB90BG 63		63	49	87.2	74	49.5	48.0	83	16	5	59.6	G2	846	2

45 DEGREE ANGLE STYLE



Deliv-ery	Item number	Connectable SANFLEKI ROBO	Cable max outside diameter to be inserted	φ A	φ C D	φ d φ l	G	H	l ₁	l ₃	Thread JIS B 0202		Weight (g/pc)	Qty / Package	
											φ S ₁	Nominal size			
○	NB45BG 16	NSBS	16	8	32.0	29.0	9.2	11.0	29	10	3.8	20.9	G1/2	92	10
○	NB45BG 20		20	11	38.0	29.0	12.0	11.5	30	10	3.8	20.9	G1/2	118	10
○	NB45BG 25		25	15	45.3	36.0	16.2	12.7	33	12	3.8	26.4	G3/4	166	10
○	NB45BG 32		32	22	51.4	44.0	22.2	14.8	36	14	4.5	33.2	G1	262	10
○	NB45BG 40		40	28	61.1	53.0	29.0	17.8	44	14	4.5	41.9	G1-1/4	412	5
○	NB45BG 50		50	38	73.2	61.0	38.5	20.7	48	16	5	47.8	G1-1/2	546	5
○	NB45BG 63		63	49	87.2	74.0	49.5	24.1	58	16	5	59.6	G2	787	2

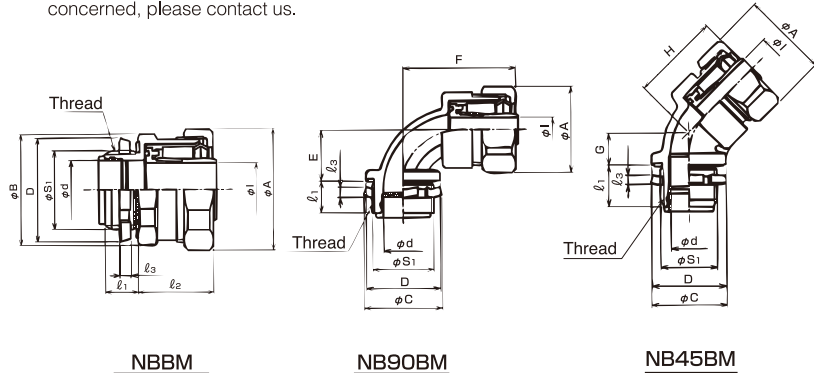
NB SERIES FITTING FOR KNOCKOUT

SURFACE FINISH	MAIN MATERIAL	SURFACE FINISH	FEATURE	FEATURE	FEATURE	TEMPERATURE RANGE
ZDC2	Brass	Electroplated zinc	IP65	EMI	Spatter resistance	Lowest -20°C ~Highest 90°C

METRIC THREAD - EXTERNAL THREAD



- Connectors
- Designed for knockout of wiring boxes
- Style Availability: Straight / 45 degree angle-style / 90 degree angle-style
- Tensile Strength Classification:
 - Between SANFLEKI ROBO and fitting: 250N (light by JIS)
- Connectable SANFLEKI ROBO: Refer to the chart
- Note: This type does not conform to RoHs requirements. Therefore, should RoHs be concerned, please contact us.



STRAIGHT STYLE



Delivery	Item number	Connectable SANFLEKI ROBO	Cable max outside diameter to be inserted	φA	φB D	φd φI	l ₁	l ₂	l ₃	Thread JIS C 8463		Weight (g/pc)	Qty / Package
										φS ₁	Nominal size		
7	NBBM 12	NSBS	12	5	28.7	29.0	5.5	10	24	3.6	19.9	M20×1.5	5
7	NBBM 16		16	8	32.0	32.0	9.2	10	24	3.6	19.9	M20×1.5	5
3	NBBM 20		20	11	38.0	35.3	12.0	10	25	3.6	19.9	M20×1.5	197
7	NBBM 25		25	15	45.3	42.0	16.2	10	27	3.6	24.9	M25×1.5	5
7	NBBM 32		32	22	51.4	47.2	22.2	12	29	4.5	31.9	M32×1.5	291
7	NBBM 40		40	28	61.1	56.7	29.0	12	32	4.5	39.9	M40×1.5	388
7	NBBM 50		50	38	73.2	68.4	38.5	14	36	5.0	49.9	M50×1.5	2
7	NBBM 63		63	49	87.2	82.2	49.5	14	43	5.0	62.9	M63×1.5	2

90 DEGREE ANGLE STYLE



Delivery	Item number	Connectable SANFLEKI ROBO	Cable max outside diameter to be inserted	φA	φC D	φd φI	E	F	l ₁	l ₃	Thread JIS C 8463		Weight (g/pc)	Qty / Package
											φS ₁	Nominal size		
3	NB90BM 12	NSBS	12	5	28.7	29	5.5	16.2	38	10	3.6	19.9	M20×1.5	81
3	NB90BM 16		16	8	32.0	29	9.2	18.6	39	10	3.6	19.9	M20×1.5	94
3	NB90BM 20		20	11	38.0	29	12.0	19.5	42	10	3.6	19.9	M20×1.5	5
7	NB90BM 25		25	15	45.3	36	16.2	24.5	47	12	3.6	24.9	M25×1.5	5
7	NB90BM 32		32	22	51.4	44	22.2	28.5	54	14	4.5	31.9	M32×1.5	5
7	NB90BM 40		40	28	61.1	53	29.0	32.6	61	14	4.5	39.9	M40×1.5	5
7	NB90BM 50		50	38	73.2	65	38.5	40.6	69	16	5.0	49.9	M50×1.5	421
7	NB90BM 63		63	49	87.2	79	49.5	48.0	83	16	5.0	62.9	M63×1.5	2

45 DEGREE ANGLE STYLE

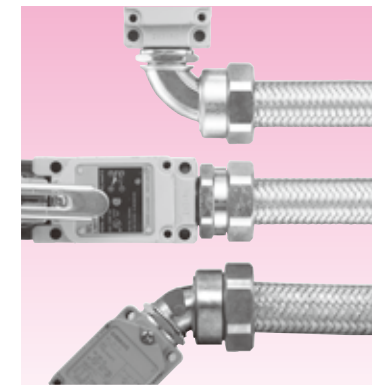


Delivery	Item number	Connectable SANFLEKI ROBO	Cable max outside diameter to be inserted	φA	φC D	φd φI	G	H	l ₁	l ₃	Thread JIS C 8463		Weight (g/pc)	Qty / Package
											φS ₁	Nominal size		
3	NB45BM 16	NSBS	16	8	32.0	29	9.2	11.0	29	10	3.6	19.9	M20×1.5	91
3	NB45BM 20		20	11	38.0	29	12.0	11.5	30	10	3.6	19.9	M20×1.5	115
7	NB45BM 25		25	15	45.3	36	16.2	12.7	33	12	3.6	24.9	M25×1.5	10
3	NB45BM 32		32	22	51.4	44	22.2	14.8	36	14	4.5	31.9	M32×1.5	257
7	NB45BM 40		40	28	61.1	53	29.0	17.8	44	14	4.5	39.9	M40×1.5	5
7	NB45BM 50		50	38	73.2	65	38.5	20.7	48	16	5.0	49.9	M50×1.5	2
7	NB45BM 63		63	49	87.2	79	49.5	24.1	58	16	5.0	62.9	M63×1.5	2

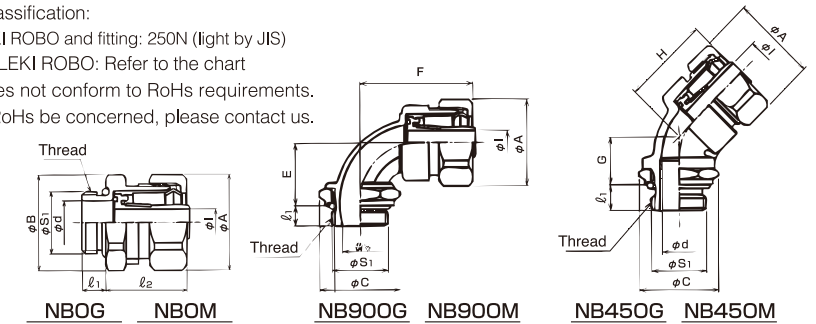
NB SERIES FITTING FOR ELECTRIC DEVICES

SURFACE FINISH	MAIN MATERIAL	SURFACE FINISH	FEATURE	FEATURE	FEATURE	TEMPERATURE RANGE
ZDC2	Brass	Electroplated zinc	IP65	EMI	Spatter resistance	Lowest -20°C ~Highest 90°C

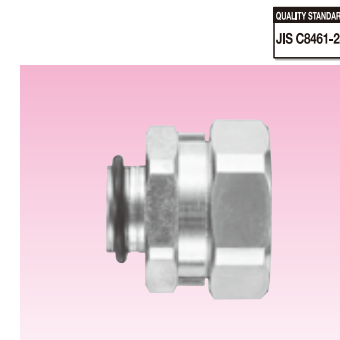
SANFLEKI ROBO + ELECTRIC DEVICES



- Connectors
- Designed for electric devices such as Limit switch
- Style Availability: Straight / 45 degree angle-style / 90 degree angle-style
- Tensile Strength Classification:
 - Between SANFLEKI ROBO and fitting: 250N (light by JIS)
- Connectable SANFLEKI ROBO: Refer to the chart
- Note: This type does not conform to RoHs requirements. Therefore, should RoHs be concerned, please contact us.



STRAIGHT STYLE



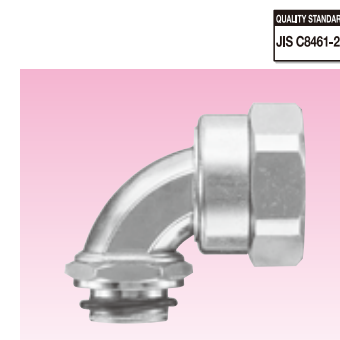
[CONNECTED TO INTERNAL THREAD - PARALLEL PIPE THREAD]

Delivery	Item number	Connectable SANFLEKI ROBO	Cable max outside diameter to be inserted	φA	φB	φd φI	l ₁	l ₂	Thread JIS B 0202		Weight (g/pc)	Qty / Package
									φS ₁	Nominal size		
7	NBOG 16	NSBS	16	8	32.0	32.0	9.2	8	24	20.9	G1/2	68
7	NBOG 20		20	11	38.0	35.3	12.0	8	25	20.9	G1/2	90
7	NBOG 25		25	15	45.3	42.0	16.2	8	27	26.4	G3/4	121

[CONNECTED TO INTERNAL THREAD - METRIC THREAD]

Delivery	Item number	Connectable SANFLEKI ROBO	Cable max outside diameter to be inserted	φA	φB	φd φI	l ₁	l ₂	Thread JIS C 8463		Weight (g/pc)	Qty / Package
									φS ₁	Nominal size		
7	NBOM 16	NSBS	16	8	32.0	32.0	9.2	8	24	19.9	M20×1.5	10
7	NBOM 20		20	11	38.0	35.3	12.0	8	25	19.9	M20×1.5	89
7	NBOM 25		25	15	45.3	42.0	16.2	8	27	24.9	M25×1.5	10
7	NBOM 32		32	22	51.4	47.2	22.2	8	29	31.9	M32×1.5	

90 DEGREE ANGLE STYLE



[CONNECTED TO INTERNAL THREAD - PARALLEL PIPE THREAD]

Delivery	Item number	Connectable SANFLEKI ROBO	Cable max outside diameter to be inserted	φA	φC	φd φI	E	F	l ₁	Thread JIS B 0202		Weight (g/pc)	Qty / Package
										φS ₁	Nominal size		
⊙	NB90OG 16	NSBS	16	8	32.0	30	9.2	23	39	8	20.9	G1/2	103
⊙	NB90OG 20		20	11	38.0	30	12.0	24	42	8	20.9	G1/2	133
7	NB90OG 25		25	15	45.3	37	16.2	30	47	8	26.4	G3/4	186

[CONNECTED TO INTERNAL THREAD - METRIC THREAD]

Delivery	Item number	Connectable SANFLEKI ROBO	Cable max outside diameter to be inserted	φA	φC	φd φI	E	F	l ₁	Thread JIS C 8463		Weight (g/pc)	Qty / Package
										φS ₁	Nominal size		
7	NB90OM 16	NSBS	16	8	32.0	27.6	9.2	24	39	7	19.9	M20×1.5	10
7	NB90OM 20		20	11	38.0	27.6	12.0	25	42	7	19.9	M20×1.5	10
7	NB90OM 25		25	15	45.3	34.0	16.2	30	47	7	24.9	M25×1.5	10
7	NB90OM 32		32	22	51.4	40.4	22.2	34	54	7	31.9	M32×1.5	

45 DEGREE ANGLE STYLE



[CONNECTED TO INTERNAL THREAD - PARALLEL PIPE THREAD]

Delivery	Item number	Connectable SANFLEKI ROBO	Cable max outside diameter to be inserted	φA	φC	φd φI	G	H	l ₁	Thread JIS B 0202		Weight (g/pc)	Qty / Package
										φS ₁	Nominal size		
⊙	NB45OG 16	NSBS	16	8	32.0	30	9.2	15.0	29	8	20.9	G1/2	93
⊙	NB45OG 20		20	11	38.0	30	12.0	15.5	30	8	20.9	G1/2	117
7	NB45OG 25		25	15	45.3	37	16.2	17.7	33	8	26.4	G3/4	10

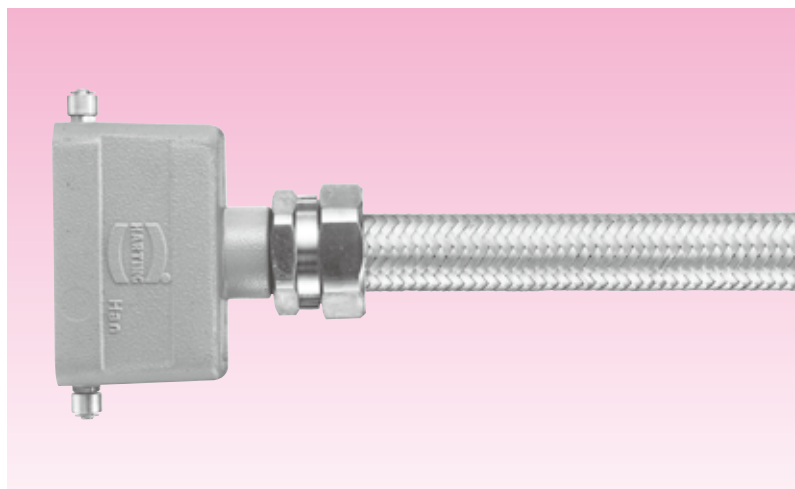
[CONNECTED TO INTERNAL THREAD - METRIC THREAD]

Delivery	Item number	Connectable SANFLEKI ROBO	Cable max outside diameter to be inserted	φA	φC	φd φI	G	H	l ₁	Thread JIS C 8463		Weight (g/pc)	Qty / Package
										φS ₁	Nominal size		
7	NB45OM 16	NSBS	16	8	32.0	27.6	9.2	16.0	29	7	19.9	M20×1.5	10
7	NB45OM 20		20	11	38.0	27.6	12.0	16.5	30	7	19.9	M20×1.5	10
7	NB45OM 25		25	15	45.3	34.0	16.2	17.7	33	7	24.9	M25×1.5	10
7	NB45OM 32		32	22	51.4	40.4	22.2	20.3	36	7	31.9	M32×1.5	

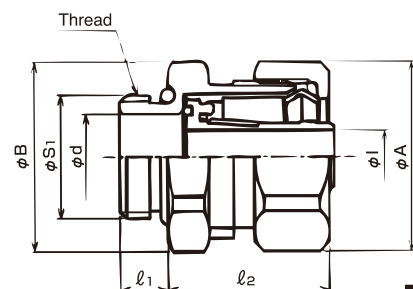
NB SERIES FITTING FOR ELECTRIC DEVICES

SURFACE FINISH	MAIN MATERIAL	SURFACE FINISH	FEATURE	FEATURE	FEATURE	TEMPERATURE RANGE
ZDC2	Brass	Electroplated zinc	IP65	EMI	Spatter resistance	Lowest -20°C ~ Highest 90°C

CONNECTED TO INTERNAL THREAD - Pg THREAD



- Straight connectors
- Designed for PG thread of electric devices (Hood)
- Use Rock nut (type RLPgS) when connecting NBOPg to knockout of wiring boxes
- Tensile Strength Classification:
Between SANFLEKI ROBO and fitting: 250N (light by JIS)
- Connectable SANFLEKI ROBO: Refer to the chart
- Note: This type does not conform to RoHs requirements. Therefore, should RoHs be concerned, please contact us.



QUALITY STANDARD
JIS C8461-23

STRAIGHT STYLE



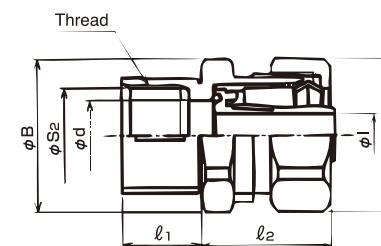
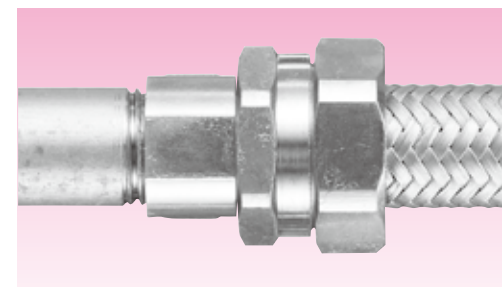
Delivery	Item number	Connectable SANFLEKI ROBO	Cable max outside diameter to be inserted	φ A	φ B	φ d φ l	l ₁	l ₂	Thread DIN 40 430		Weight (g/pc)	Qty / Package								
									φ S ₁	Nominal size										
7	NBOPg 12 09	NSBS	5	28.7	28.7	5.5	6	24	15.2	Pg 9	53	5								
7	※NBOPg 16 09								15.2	Pg 9										
7	NBOPg 16 11								8	32.0			32.0	9.2	6	24	18.6	Pg11	59	20
7	※NBOPg 16 13																20.4	Pg13.5		
5	※NBOPg 16 16																22.5	Pg16		
5	※NBOPg 20 11																18.6	Pg11		
5	※NBOPg 20 13								11	38.0			35.3	12.0	8	25	20.4	Pg13.5	64	10
5	NBOPg 20 16																22.5	Pg16		
7	※NBOPg 25 16																22.5	Pg16		
7	NBOPg 25 21																28.3	Pg21		
7	NBOPg 32 29								15	45.3			42.0	16.2	8	27	37.0	Pg29	153	10
7	NBOPg 40 36																47.0	Pg36		

IRREGULAR THREAD TYPE (Marked with ※ in the chart above)

NB SERIES COUPLING FOR RIGID STEEL CONDUIT WITH THREAD

SURFACE FINISH	MAIN MATERIAL	SURFACE FINISH	FEATURE	FEATURE	FEATURE	TEMPERATURE RANGE
ZDC2	Brass	Electroplated zinc	IP65 (only to SANFLEKI ROBO and Coupling)	EMI	Spatter resistance	Lowest -20°C ~ Highest 90°C

SANFLEKI ROBO + RIGID STEEL CONDUIT WITH THREAD



- Straight connectors
- Designed for PG thread of electric devices (Hood)
- Use Rock nut (type RLPgS) when connecting NBOPg to knockout of wiring boxes
- Tensile Strength Classification:
Between SANFLEKI ROBO and fitting: 250N (light by JIS)
- Connectable SANFLEKI ROBO: Refer to the chart
- Note: This type does not conform to RoHs requirements. Therefore, should RoHs be concerned, please contact us.

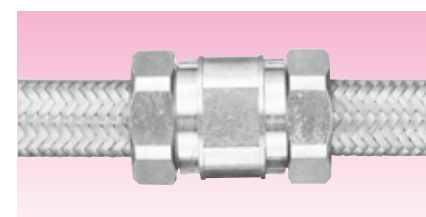
QUALITY STANDARD
JIS C8461-23

Delivery	Item number	Connectable SANFLEKI ROBO	Cable max outside diameter to be inserted	φ A	φ B	φ d φ l	l ₁	l ₂	Thread JIS C 8305		Weight (g/pc)	Qty / Package
									φ S ₂	Nominal size		
7	NBKG 12	NSBS	5	28.7	28.7	5.5	16.5	24	19.0	CTG16	250	5
7	NBKG 16								19.0	CTG16		
7	NBKG 20								19.0	CTG16		
7	NBKG 25								24.5	CTG22		
7	NBKG 32								30.7	CTG28		
7	NBKG 40								39.4	CTG36		
7	NBKG 50								45.3	CTG42		
7	NBKG 63								57.1	CTG54		

NB SERIES COUPLING

SURFACE FINISH	MAIN MATERIAL	SURFACE FINISH	FEATURE	FEATURE	FEATURE	TEMPERATURE RANGE
ZDC2	Brass	Electroplated zinc	IP65	EMI	Spatter resistance	Lowest -20°C ~ Highest 90°C

SANFLEKI ROBO + SANFLEKI ROBO



- Straight couplings
- Designed to connect SANFLEKI ROBO to SANFLEKI ROBO
- Tensile Strength Classification:
Between SANFLEKI ROBO and Coupling: 250N (light by JIS)
- Connectable SANFLEKI ROBO: Refer to the chart

• Note: This type does not conform to RoHs requirements. Therefore, should RoHs be concerned, please contact us.

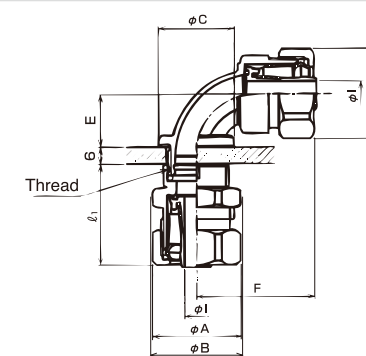
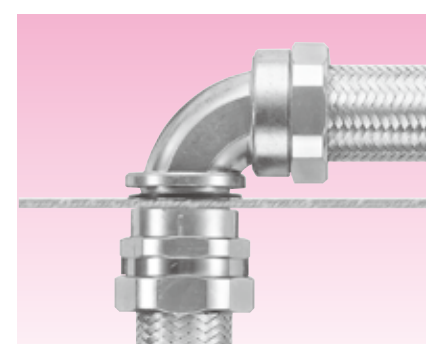
QUALITY STANDARD
JIS C8461-23

Delivery	Item number	Connectable SANFLEKI ROBO	Cable max outside diameter to be inserted	φ A	φ l	L	Weight (g/pc)	Qty / Package		
-	NBCS 12	NSBS	5	32.0	9.2	45	20	5		
7	NBCS 16								16	8
7	NBCS 20								20	11
7	NBCS 25								25	15
7	NBCS 32								32	22
7	NBCS 40								40	28
7	NBCS 50								50	38
7	NBCS 63								63	51

NB SERIES 90 DEGREE ANGLE-STYLE COUPLING

SURFACE FINISH	SURFACE FINISH	FEATURE	FEATURE	FEATURE	ENVIRONMENT	TEMPERATURE RANGE
ZDC2	Electroplated zinc	IP65	EMI	Spatter resistance	RoHS	Lowest -20°C ~ Highest 90°C

SANFLEKI ROBO + SANFLEKI ROBO



- 90 degree angle-style couplings
- Designed to connect SANFLEKI ROBO to SANFLEKI ROBO
- Suitable only for 6mm wall thickness to which the coupling is connected
- Tensile Strength Classification:
Between SANFLEKI ROBO and Coupling: 250N (light by JIS)
- Connectable SANFLEKI ROBO: Refer to the chart

QUALITY STANDARD
JIS C8461-23

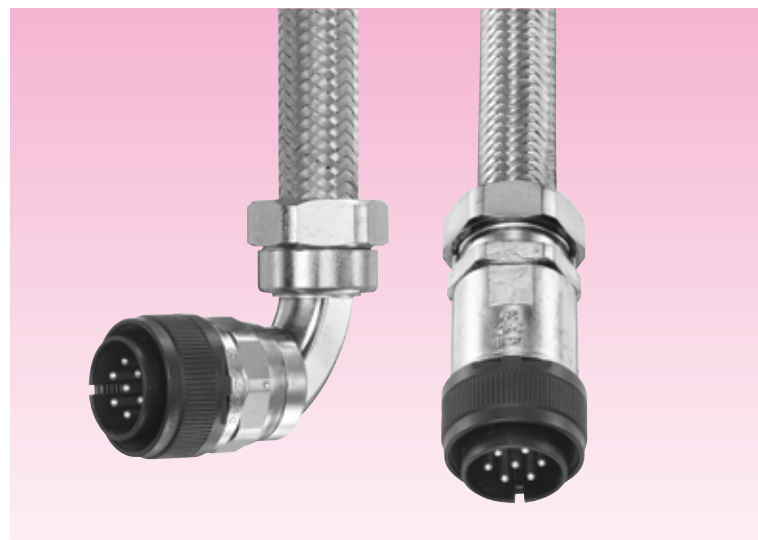
Delivery	Item number	Connectable SANFLEKI ROBO	Cable max outside diameter to be inserted	φ A	φ B	φ C	φ l	E	F	l ₁	knockout hole dia.	Thread JIS B 0202	Weight (g/pc)	Qty / Package
7	NB90C 40	NSBS 40	28	61.1	56.7	52.5	29.4	32.6	61	47	43.0	G1-1/4	10	

Contact us for information of product availability and delivery

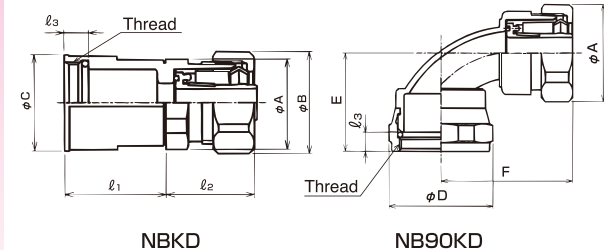
NB SERIES COUPLING FOR MS CONNECTOR

SURFACE FINISH	MAIN MATERIAL	SURFACE FINISH	FEATURE	FEATURE	FEATURE	TEMPERATURE RANGE
ZDC2	Brass	Electroplated zinc	IP65	EMI	Spatter resistance	Lowest -20°C ~Highest 90°C

FOR MS CONNECTOR (No backshell type)



- Combination couplings
- Designed for MS connector (No backshell type)
- Style Availability: Straight / 90 degree angle-style
- Must be fully tightened on MS connector with a tool (Recommended tool; SUPERTOOL MFT68A)
- Tensile Strength Classification:
Between SANFLEKI ROBO and Coupling: 250N (light by JIS)
- Connectable SANFLEKI ROBO: Refer to the chart
- Note: This type does not conform to RoHs requirements. Therefore, should RoHs be concerned, please contact us.



QUALITY STANDARD
JIS C8461-23



Delivery		Item number	Connectable SANFLEKI ROBO	φ A φ B	φ C	φ D	E	F	l ₁	l ₂	l ₃	Connectable MS connector		Weight (g/pc)	
NBKD	NB90KD											Shell size	Thread ASME B.1.1	NBKD	NB90KD
[7]	[5]	12 10	12	28.7	19.6	20.2	32	38	25.0	24	5.0	10SL	9/16- 24UNEF-2B		
[7]	[5]	12 12			21.3	23.4	34					12S	11/16- 24UNEF-2B		
[7]	[5]	12 14			23.4	25.5	34					14S	3/4- 20UNEF-2B		
[7]	[5]	12 16			26.6	28.7	35					7.5	16/16S	7/8- 20UNEF-2B	
○	[5]	16 10	16	32.0	19.6	21.3	33	39	25.0	24	5.0	10SL	9/16- 24UNEF-2B	82	94
[7]	[5]	16 12			21.3	23.4	35					12S	11/16- 24UNEF-2B		
[7]	[5]	16 14			23.4	25.5	35					14S	3/4- 20UNEF-2B		
[7]	[5]	16 16			26.6	28.7	37					16/16S	7/8- 20UNEF-2B		110
[5]	○	16 18	16	32.0	30.0	31.9	37	39	25.0	24	7.5	18	1- 20UNEF-2B	115	230
○	○	16 20			33.2	35.5	37					20	1-1/8- 18UNEF-2B	125	123
[5]	[5]	16 22			36.3	39.9	37					22	1-1/4- 18UNEF-2B		136
○	[7]	20 14			23.4	26.8	37					14S	3/4- 20UNEF-2B		228
○	○	20 16	20	38.0	26.6	28.7	39	42	25	25	7.5	16/16S	7/8- 20UNEF-2B		143
○	○	20 18			30.0	31.9	39					18	1- 20UNEF-2B	145	144
○	[5]	20 20			33.2	35.5	39					20	1-1/8- 18UNEF-2B	129	277
○	○	20 22			36.3	39.9	39					22	1-1/4- 18UNEF-2B	136	307
○	[7]	20 24	20	38.0	39.5	43.0	46	47	27	27	10.0	24	1-3/8- 18UNEF-2B	145	334
○	○	25 18			30.0	32.6	43					18	1- 20UNEF-2B	175	199
○	○	25 20			33.2	35.5	43					20	1-1/8- 18UNEF-2B	189	327
○	○	25 22			36.3	39.9	43					22	1-1/4- 18UNEF-2B	196	376
○	○	25 24	25	45.3	39.5	43.0	51	47	27	27	10.0	24	1-3/8- 18UNEF-2B	203	240
○	○	25 28			46.1	49.0	51					28	1-5/8- 18UNEF-2B	237	377
[7]	○	25 32			52.4	57.0	51					32	1-7/8- 16UN-2B		
○	[7]	32 20			33.2	40.4	47					20	1-1/8- 18UNEF-2B	222	
○	[5]	32 22	32	51.4	36.3	40.4	47	54	29	29	7.5	22	1-1/4- 18UNEF-2B	195	548
○	[7]	32 24			39.5	43.0	54					24	1-3/8- 18UNEF-2B	204	575
○	○	32 28			46.1	49.0	54					28	1-5/8- 18UNEF-2B	235	544
[7]	[7]	32 32			52.4	57.0	54					32	1-7/8- 16UN-2B		
[7]	[7]	32 36	32	51.4	58.7	63.0	60	61	32	32	11.0	36	2-1/8- 16UN-2B		
[7]	[7]	40 24			39.5	48.0	59					24	1-3/8- 18UNEF-2B		
[7]	[7]	40 28			46.1	49.0	59					28	1-5/8- 18UNEF-2B		
[7]	[7]	40 32			52.4	57.0	59					32	1-7/8- 16UN-2B		844
[7]	[7]	40 36	40	61.1	58.7	63.0	65	61	32	32	11.0	36	2-1/8- 16UN-2B		
[7]	[7]	40 36			58.7	63.0	65					36	2-1/8- 16UN-2B		

MOQ: Check with our Sales dept.

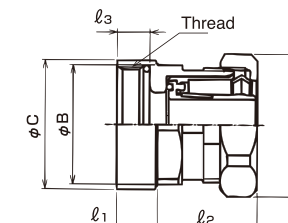
NB SERIES COUPLING FOR MS CONNECTOR

SURFACE FINISH	MAIN MATERIAL	SURFACE FINISH	FEATURE	FEATURE	FEATURE	TEMPERATURE RANGE
ZDC2	Brass	Electroplated zinc	IP65	EMI	Spatter resistance	Lowest -20°C ~Highest 90°C

FOR MS CONNECTOR (Backshell assembled type)



- Combination couplings
- Designed for MS connector (No backshell type)
- Style Availability: Straight / 90 degree angle-style
- Must be fully tightened on MS connector with a tool (Recommended tool; SUPERTOOL MFT68A)
- Tensile Strength Classification:
Between SANFLEKI ROBO and Coupling: 250N (light by JIS)
- Connectable SANFLEKI ROBO: Refer to the chart
- Note: This type does not conform to RoHs requirements. Therefore, should RoHs be concerned, please contact us.



QUALITY STANDARD
JIS C8461-23



Delivery		Item number	Connectable SANFLEKI ROBO	φ A φ B	φ C	l ₁	l ₂	l ₃	Connectable MS connector		Weight (g/pc)
NBKD	NB90KD								Shell size	Thread ASME B.1.1	
[5]		12 10	12	28.7	19.7	12.8	24	10.3	10SL/12S	5/8- 24UNEF-2B	56
[7]		12 14			23.4	12.8			14S	3/4- 20UNEF-2B	
[7]		12 16			26.6	12.8			16/16S	7/8- 20UNEF-2B	
[5]		16 10			19.7	12.8			10SL/12S	5/8- 24UNEF-2B	57
[5]		16 14	16	32.0	23.4	12.8	24	10.3	14S	3/4- 20UNEF-2B	78
[7]		16 16			26.6	12.8			16/16S	7/8- 20UNEF-2B	
○		16 18			30.0	12.8			18	1- 20UNEF-2B	69
[5]		16 20			34.7	12.8			20/22	1-3/16- 18UNEF-2B	75
○		20 14	20	38.0	23.4	12.8	25	10.3	14S	3/4- 20UNEF-2B	66
○		20 16			26.6	12.8			16/16S	7/8- 20UNEF-2B	69
○		20 18			30.0	12.8			18	1- 20UNEF-2B	72
○		20 20			34.7	12.8			20/22	1-3/16- 18UNEF-2B	80
○		20 24	20	38.0	41.1	12.8	27	10.3	24/28	1-7/16- 18UNEF-2B	73
[5]		25 18			30.0	12.8			18	1- 20UNEF-2B	109
○		25 20			34.7	12.8			20/22	1-3/16- 18UNEF-2B	110
○		25 24			37.7	12.8			24/28	1-7/16- 18UNEF-2B	119
[5]		25 32	25	45.3	49.2	14.4	29	11.9	32	1-3/4- 18UNS-2B	235
[7]		25 36			55.6	16.0			36	2- 18UNS-2B	
[7]		32 18			30.0	12.8			18	1- 20UNEF-2B	
○		32 20			34.7	12.8			20/22	1-3/16- 18UNEF-2B	155
○		32 24	32	51.4	41.1	12.8	29	10.3	24/28	1-7/16- 18UNEF-2B	153
○		32 32			49.2	14.4			32	1-3/4- 18UNS-2B	233
[7]		32 36			55.6	16.0			36	2- 18UNS-2B	
[7]		40 20			34.7	12.8			20/22	1-3/16- 18UNEF-2B	
[7]		40 24	40	61.1	41.1	12.8	32	10.3	24/28	1-7/16- 18UNEF-2B	
[7]		40 32			49.2	14.4			32	1-3/4- 18UNS-2B	285
○		40 36			55.6	16.0			36	2- 18UNS-2B	275
[7]		50 32			49.2	14.4			32	1-3/4- 18UNS-2B	
○		50 36	50	73.2	55.6	16.0	36	11.0	36	2- 18UNS-2B	407
○		50 36			55.6	16.0			36	2- 18UNS-2B	

MOQ: Check with our Sales dept.

EXTENSION ACCESSORY

MAIN MATERIAL	SURFACE FINISH	FEATURE	TEMPERATURE RANGE
Brass	Electroplated zinc	IP67	Lowest -50°C ~Highest 150°C

Type RHU

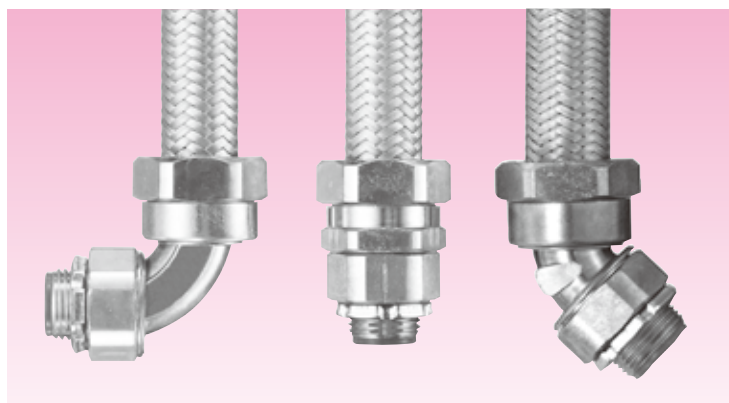


- Extension accessory for NBKM
- Make it possible for wiring work more efficient
- Look at a page for SANPARTS for more information

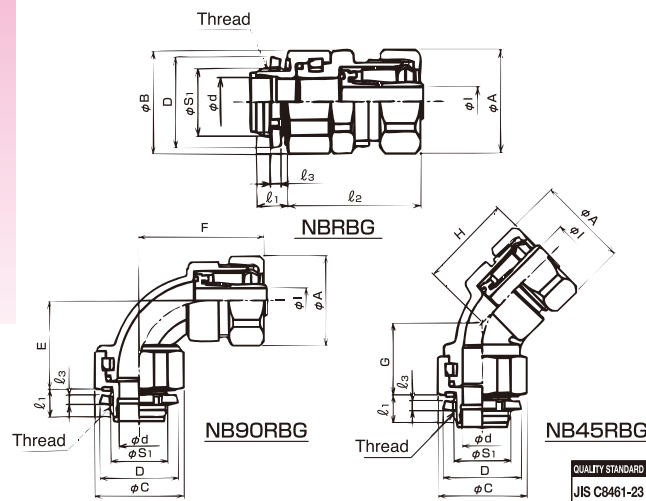
NB SERIES FITTING FOR KNOCKOUT

SURFACE FINISH	SURFACE FINISH	FEATURE	FEATURE	FEATURE	ENVIRONMENT	TEMPERATURE RANGE
ZDC2	Electroplated zinc	IP65	EMI	Spatter resistance	RoHS	Lowest -20°C ~Highest 90°C

NB SERIES FITTING FOR KNOCKOUT



- Extension accessory for NBKM
- Make it possible for wiring work more efficient
- Look at a page for SANPARTS for more information



Delivery	Item number	Connectable SANFLEKI ROBO	Cable max outside diameter to be inserted	φ A	φ B D	φ d φ I	l ₁	l ₂	l ₃	Thread JIS B 0202		Weight (g/pc)	Qty / Package
										φ S ₁	Nominal size		
○	NBRBG 16	16	8	32.0	32.0	9.2	10	39	3.8	20.9	G 1/2	95	10
○	NBRBG 20	20	11	38.0	35.3	12.0	10	39	3.8	20.9	G 1/2	106	10
○	NBRBG 25	25	15	45.3	42.0	16.2	12	41	3.8	26.4	G 3/4	163	10
○	NBRBG 32	NSBS 32	22	51.4	47.2	22.2	14	43	4.5	33.2	G 1	251	10
○	NBRBG 40	40	28	61.1	57.4	29.0	14	47	4.5	41.9	G 1-1/4	423	5
○	NBRBG 50	50	38	73.2	68.4	38.5	16	51	5.0	47.8	G 1-1/2	560	2
□	NBRBG 63	63	49	87.2	82.2	49.5	16	58	5.0	59.6	G 2	765	2

QUALITY STANDARD JIS C8461-23

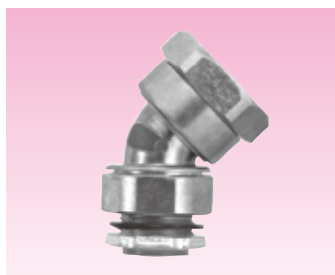
STRAIGHT STYLE



90 DEGREE ANGLE STYLE



45 DEGREE ANGLE STYLE



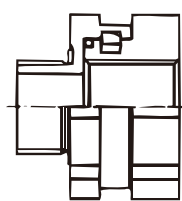
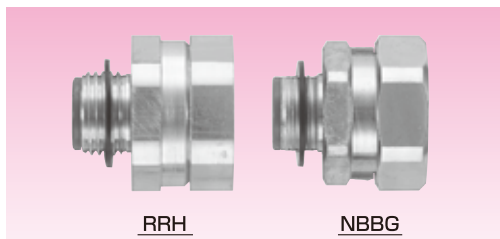
Delivery	Item number	Connectable SANFLEKI ROBO	Cable max outside diameter to be inserted	φ A	φ C D	φ d φ I	E	F	l ₁	l ₃	Thread JIS B 0202		Weight (g/pc)	Qty / Package
											φ S ₁	Nominal size		
□	NB90RBG 16	16	8	32.0	31.9	9.2	31	39	10	3.8	20.9	G 1/2	163	10
○	NB90RBG 20	20	11	38.0	31.9	12.0	31	42	10	3.8	20.9	G 1/2	187	10
○	NB90RBG 25	25	15	45.3	38.3	16.2	37	47	12	3.8	26.4	G 3/4	276	10
○	NB90RBG 32	NSBS 32	22	51.4	45.7	22.2	40	54	14	4.5	33.2	G 1	462	10
□	NB90RBG 40	40	28	61.1	57.4	29.0	45	61	14	4.5	41.9	G 1-1/4	514	5
□	NB90RBG 50	50	38	73.2	63.8	38.5	54	69	16	5.0	47.8	G 1-1/2	719	2
□	NB90RBG 63	63	49	87.2	75.4	49.5	62	83	16	5.0	59.6	G 2	994	2

QUALITY STANDARD JIS C8461-23

Delivery	Item number	Connectable SANFLEKI ROBO	Cable max outside diameter to be inserted	φ A	φ C D	φ d φ I	G	H	l ₁	l ₃	Thread JIS B 0202		Weight (g/pc)	Qty / Package
											φ S ₁	Nominal size		
□	NB45RBG 16	16	8	32.0	31.9	9.2	23	29	10	3.8	20.9	G 1/2	10	
○	NB45RBG 20	20	11	38.0	31.9	12.0	23	30	10	3.8	20.9	G 1/2	10	
○	NB45RBG 25	25	15	45.3	38.3	16.2	25	33	12	3.8	26.4	G 3/4	252	
○	NB45RBG 32	NSBS 32	22	51.4	45.7	22.2	27	36	14	4.5	33.2	G 1	10	
□	NB45RBG 40	40	28	61.1	57.4	29.0	31	44	14	4.5	41.9	G 1-1/4	527	5
□	NB45RBG 50	50	38	73.2	63.8	38.5	34	48	16	5.0	47.8	G 1-1/2	775	5
□	NB45RBG 63	63	49	87.2	75.4	49.5	38	58	16	5.0	59.6	G 2	2	

QUALITY STANDARD JIS C8461-23

EXTENSION ROTARY ADAPTOR TYPE RRH

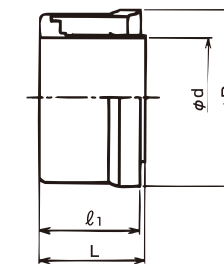
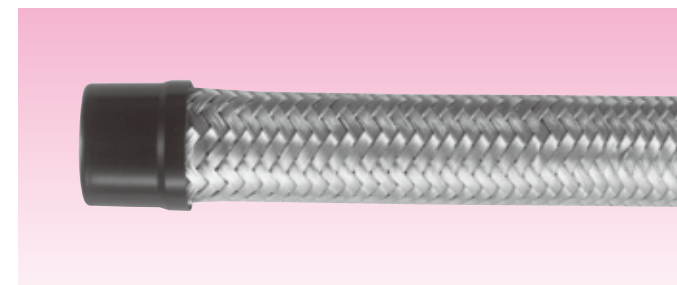


- Extension Rotary adaptor for NBBG
- NBBG can be adapted for a rotary type connector
- Look at a page for SANPARTS for more information

NON-METALLIC BUSHING

MAIN MATERIAL	FEATURE	ENVIRONMENT	FLAMMABILITY	TEMPERATURE RANGE
PA6	Oil resistance	RoHS	UL94V0	Lowest -20°C ~Highest 100°C

FOR END OF SANFLEKI ROBO



- Insulated non-metallic bushing for SANFLEKI ROBO
- Connectable SANFLEKI ROBO: Refer to the chart



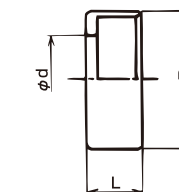
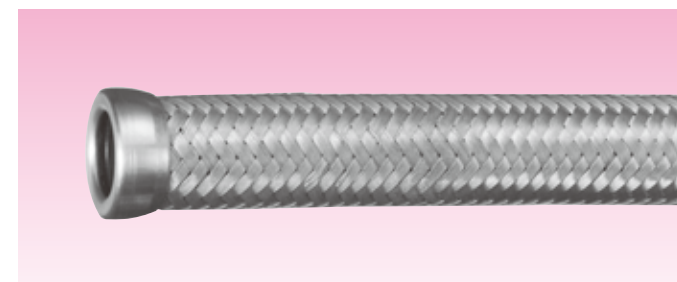
[Black]

Delivery	Item number	Connectable SANFLEKI ROBO	Cable max outside diameter to be inserted	φ D	φ d	l ₁	L	Weight (g/pc)	Qty / Package
○	NBBI 12	12	6	16.8	6.6	17.5	18.3	2	20
○	NBBI 16	16	10	20.8	10.3	18.5	19.3	2	20
○	NBBI 20	20	13	25.4	13.7	20.5	21.3	3	20
○	NBBI 25	NSBS 25	17	30.8	17.8	21.5	22.8	5	20
○	NBBI 32	32	23	38.5	24.2	24.0	25.3	8	10
○	NBBI 40	40	30	46.8	31.7	27.0	28.5	11	10
○	NBBI 50	50	40	57.3	41.2	30.5	32.0	17	5
○	NBBI 63	63	53	70.4	54.2	33.5	35.0	25	5

METALLIC BUSHING

MAIN MATERIAL	SURFACE FINISH	TEMPERATURE RANGE
Brass	Electroplated zinc	Lowest -50°C ~Highest 150°C

FOR END OF SANFLEKI ROBO



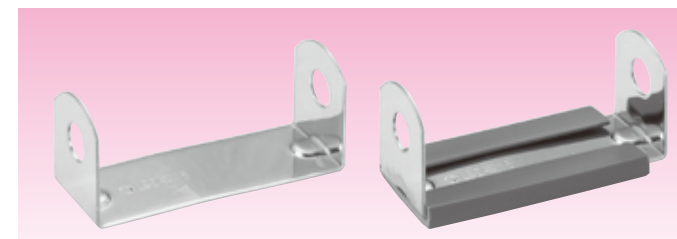
- Metallic bushing for SANFLEKI ROBO
- To be delivered after cut lengths of SANFLEKI ROBO and assemblies.
- Place a PO for SANFLEKI ROBO with lengths required
- Connectable SANFLEKI ROBO: Refer to the chart



Delivery	Item number	Connectable SANFLEKI ROBO	Cable max outside diameter to be inserted	φ D	φ d	L	Weight (g/pc)	Qty / Package
□	NBBUF 12	12	7	16.0	8.5	10		1
□	NBBUF 16	16	10	20.0	12.2	10		1
□	NBBUF 20	20	14	24.4	15.8	10		1
□	NBBUF 25	NSBS 25	19	29.4	20.1	10		1
□	NBBUF 32	32	25	37.1	26.6	10		1
□	NBBUF 40	40	33	45.1	34.1	10		1
□	NBBUF 50	50	42	55.1	43.9	10		1
□	NBBUF 63	63	55	68.1	56.8	10		1

SADDLE

SADDLE Type LS2A/LS2AV



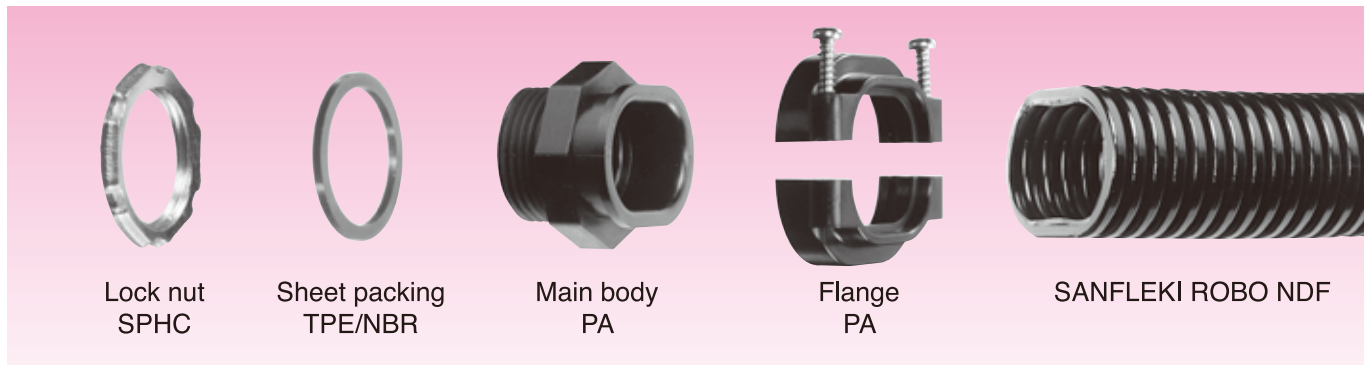
- Metallic saddle for SANFLEKI ROBO
- Style Availability: Two side fixed type for one (1) SANFLEKI ROBO / for two (2) SANFLEKI ROBO / for three (3) SANFLEKI ROBO
- Refer to a page for SANPIPE for more information of LS2A, LS2AV

ND SERIES FITTING

CONSTRUCTION

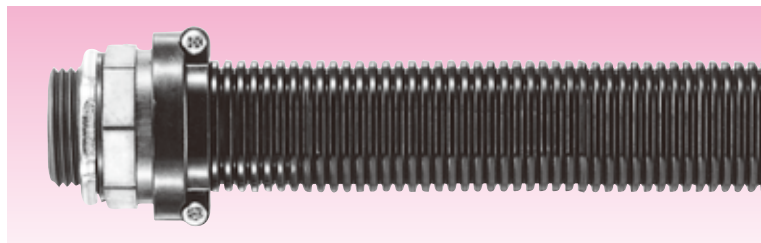
- ND SERIES FITTING for SANFLEKI ROBO Type NDF
- Fitting and SANFLEKI ROBO are joined with screws
- Use a screwdriver to tighten up the screws

- Color of fitting: Black
- Availability of 90 DEGREE ANGLE STYLE: REGULAR TYPE / SPECIAL TYPE

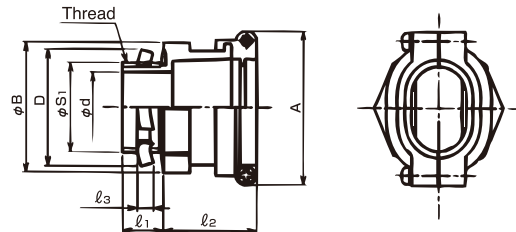


ND SERIES FITTING FOR KNOCKOUT

PARALLEL PIPE THREAD - EXTERNAL THREAD



- Straight connectors
- Designed for knockout of wiring boxes
- Connectable SANFLEKI ROBO: Refer to the chart



STRAIGHT STYLE



[BLACK]

Delivery	Item number	Connectable SANFLEKI ROBO	Cable max outside diameter to be inserted	A	φB	φD	φd	l ₁	l ₂	l ₃	Thread JIS B 0202		Weight (g/pc)	Qty / Package
											φS ₁	Nominal size		
○	NDBG 24	24	17	54	47.9	26.3	15	28	4.5	33.2	G 1	59	5	
○	NDBG 27	NDF	20	65	60.2	34.5	16	32	4.5	41.9	G 1-1/4	86	5	
○	NDBG 34	34	26	78	71.0	40.3	16	35	5.0	47.8	G 1-1/2	121	5	

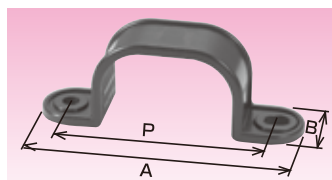
MAIN MATERIAL	FEATURE	ENVIRONMENT	FLAMMABILITY	TEMPERATURE RANGE
PA6	Oil resistance	RoHS	UL94V0	Lowest -20°C ~ Highest 100°C

SADDLE

FOR SANFLEKI ROBO

SADDLE (TWO SIDE FIXED TYPE)

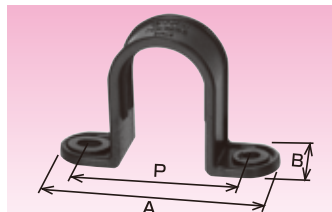
- Saddle for SANFLEKI ROBO
- Connectable SANFLEKI ROBO: Refer to the chart



[BLACK]

Delivery	Item number	Connectable SANFLEKI ROBO	A	B	φd × l (Oval hole dia. width x length)	H (Height)	P	T (Thickness)	Weight (g/pc)	Qty / Package
○	NDSS 24	24	74	18	5×7	26.2	58	3.0	6	5
○	NDSS 27	NDF	84	18	5×7	30.2	68	3.0	7	5
○	NDSS 34	34	96	20	5×7	36.1	80	3.0		5

SADDLE (TWO SIDE FIXED TYPE) - TALL TYPE



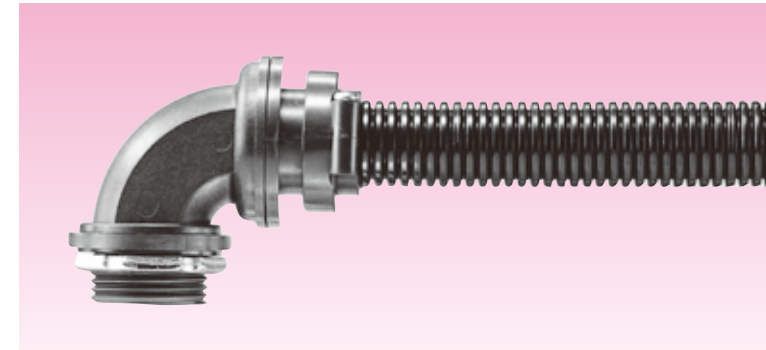
[BLACK]

Delivery	Item number	Connectable SANFLEKI ROBO	A	B	φd × l (Oval hole dia. width x length)	H (Height)	P	T (Thickness)	Weight (g/pc)	Qty / Package
○	NDRS 24	NDF 24 ND2F 24	61.5	18.0	5×7	38.7	45.5	3.0	6	5

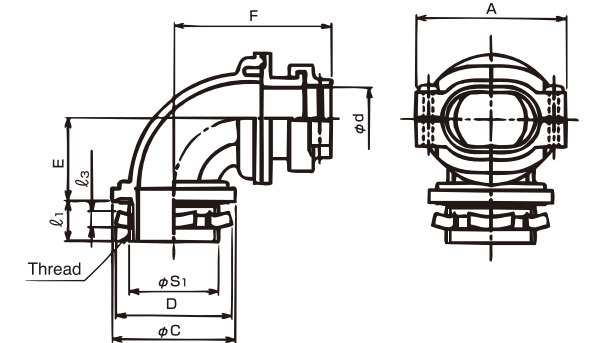
ND SERIES FITTING FOR KNOCKOUT

PARALLEL PIPE THREAD - EXTERNAL THREAD

MAIN MATERIAL	FEATURE	FEATURE	ENVIRONMENT	FLAMMABILITY	TEMPERATURE RANGE
PA6	IP54	Oil resistance	RoHS	UL94V0	Lowest -20°C ~ Highest 100°C



- 90 degree angle-style connectors - Regular type
- Conduit connecting direction : as per a drawing
- Designed for knockout of wiring boxes
- Connectable SANFLEKI ROBO: Refer to the chart

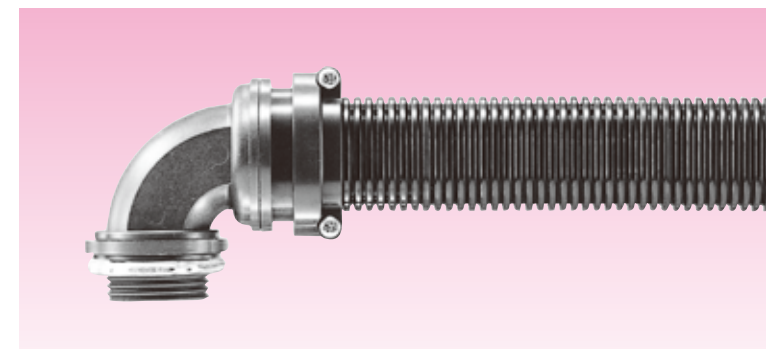


90 DEGREE ANGLE STYLE - REGULAR TYPE

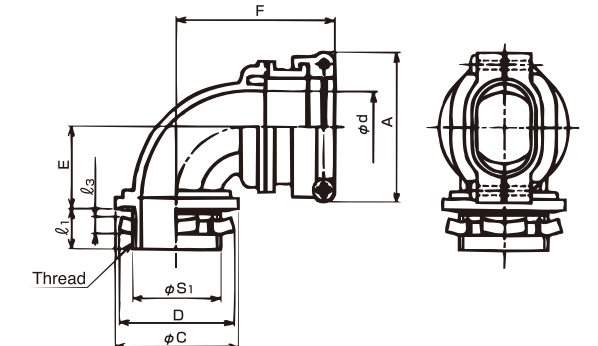


[BLACK]

Delivery	Item number	Connectable SANFLEKI ROBO	Cable max outside diameter to be inserted	A	φC	φD	φd	E	F	l ₁	l ₃	Thread JIS B 0202		Weight (g/pc)	Qty / Package
												φS ₁	Nominal size		
○	ND90BG 24	24	17	54	45.5	22.6	31	58	15	4.5	33.2	G 1	87	5	
③	ND90BG 27	NDF	20	65	56.0	25.5	36	67	16	4.5	41.9	G 1-1/4	—	5	
③	ND90BG 34	34	26	78	64.0	32.5	42	77	16	5.0	47.8	G 1-1/2	138	5	



- 90 degree angle-style connectors - Special type
- Conduit connecting direction : as per a drawing
- Designed for knockout of wiring boxes
- Connectable SANFLEKI ROBO: Refer to the chart



90 DEGREE ANGLE STYLE - SPECIAL TYPE



[BLACK]

Delivery	Item number	Connectable SANFLEKI ROBO	Cable max outside diameter to be inserted	A	φC	φD	φd	E	F	l ₁	l ₃	Thread JIS B 0202		Weight (g/pc)	Qty / Package
												φS ₁	Nominal size		
⑤	ND92BG 24	24	17	54	45.5	22.6	31	58	15	4.5	33.2	G 1	87	5	
—	ND92BG 27	NDF	20												
—	ND92BG 34	34	26												

NT2 SERIES FITTING

CONSTRUCTION



TYPE NT2
(Non-water resistant type)

Lock nut SPHC

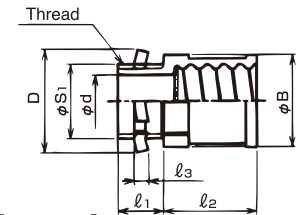
Main body PA

SANFLEKI NT

NT2 SERIES FITTING FOR KNOCKOUT

PARALLEL PIPE THREAD - EXTERNAL THREAD

MAIN MATERIAL	FEATURE	FEATURE	ENVIRONMENT	FLAMMABILITY	TEMPERATURE RANGE
PA6	Non-water resistance	Oil resistance	RoHS	UL94V0	Lowest -20°C ~ Highest 100°C



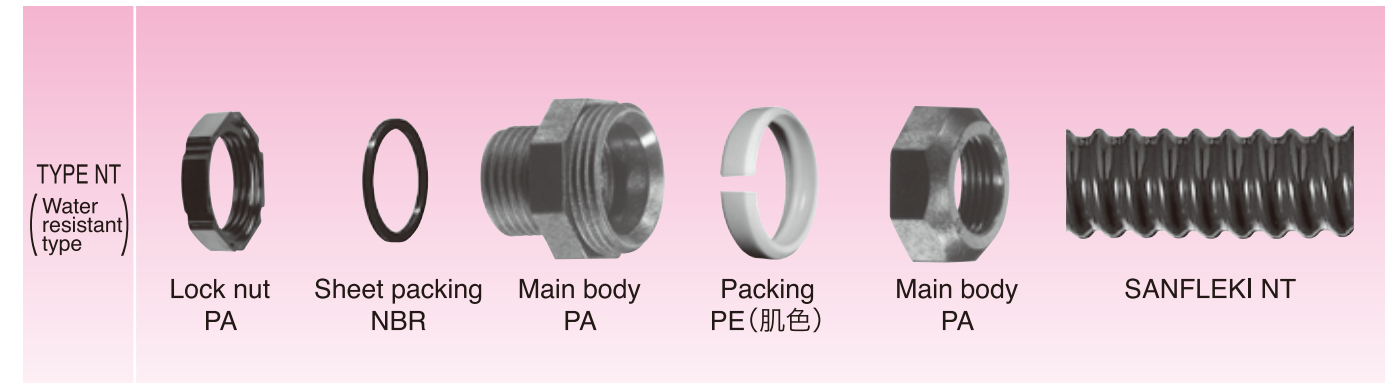
- Straight connectors - screw-in type
- Designed for knockout of wiring boxes
- Color availability: Black
- Connectable SANFLEKI NT: Refer to the chart

[BLACK]

Delivery	Item number	Connectable SANFLEKI ROBO	Cable max outside diameter to be inserted	φB D	φd	l ₁	l ₂	l ₃	Thread JIS B 0202		Weight (g/pc)	Qty / Package
									φS ₁	Nominal size		
○	NT2BG 16	16	10	29.0	12.0	13	25.0	3.8	20.9	G 1/2	16	20
○	NT2BG 20	20	14	29.0	14.5	13	27.0	3.8	20.9	G 1/2	16	20
○	NT2BG 25	25	19	36.0	20.0	14	30.4	3.8	26.4	G 3/4	25	20
○	NT2BG 32	NT 32	25	44.0	26.1	15	35.8	4.5	33.2	G 1	39	10
○	NT2BG 40	40	33	53.0	34.3	16	40.2	4.5	41.9	G 1-1/4	55	10
○	NT2BG 50	50	39	62.3	40.1	16	44.5	5.0	47.8	G 1-1/2	80	5
○	NT2BG 63	63	51	75.3	51.9	18	48.8	5.0	59.6	G 2	111	5

NT SERIES FITTING

CONSTRUCTION



TYPE NT
(Water resistant type)

Lock nut PA

Sheet packing NBR

Main body PA

Packing PE (肌色)

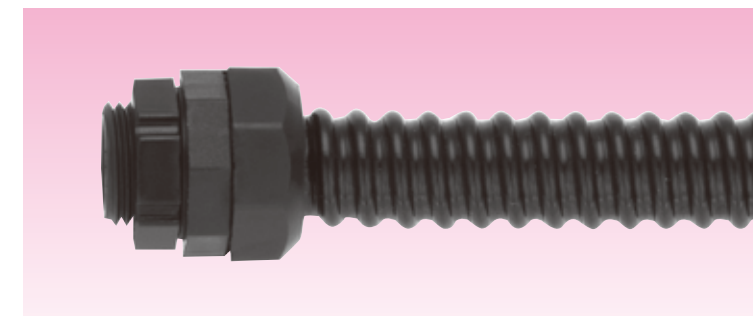
Main body PA

SANFLEKI NT

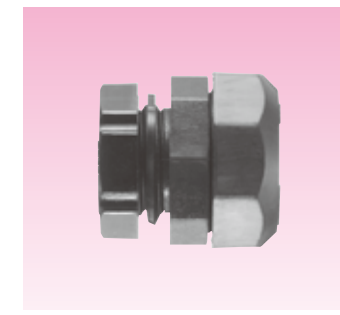
NT SERIES FITTING FOR KNOCKOUT

PARALLEL PIPE THREAD - EXTERNAL THREAD

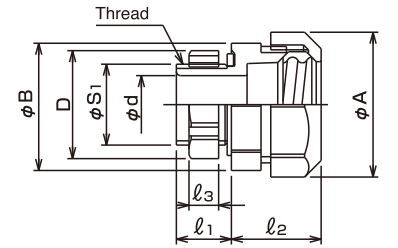
MAIN MATERIAL	FEATURE	FEATURE	ENVIRONMENT	FLAMMABILITY	TEMPERATURE RANGE
PA6	IP65	Oil resistance	RoHS	UL94V0	Lowest -20°C ~ Highest 90°C



REGULAR TYPE



- Straight connectors
- Designed for knockout of wiring boxes
- Tensile Strength Classification: Between SANFLEKI NT20 ~ NT73 and fitting: 250N (light by JIS)
- Connectable SANFLEKI NT: Refer to the chart



[BLACK]

Delivery	Item number	Connectable SANFLEKI ROBO	Cable max outside diameter to be inserted	φA	φB D	φd	l ₁	l ₂	l ₃	Thread JIS B 0202		Weight (g/pc)	Qty / Package
										φS ₁	Nominal size		
○	NTBG 16	16	11	28.8	31.1	12.0	13	18	7	20.9	G1/2	15	20
○	NTBG 20	20	13	34.2	31.1	14.4	13	19	7	20.9	G1/2	17	20
○	NTBG 25	25	19	41.5	38.6	19.9	14	21	8	26.4	G3/4	25	20
○	NTBG 32	NT 32	25	50.0	47.9	26.0	15	24	9	33.2	G 1	41	10
○	NTBG 40	40	32	59.5	60.2	33.3	16	28	10	41.9	G1-1/4	66	5
○	NTBG 50	50	39	70.3	68.4	39.9	16	32	10	47.8	G1-1/2	83	5
○	NTBG 63	63	51	84.4	79.0	51.7	18	36	11	59.6	G 2	120	2
○	NTBG 73	73	63	101.6	103.3	66.9	18	53	5	75.1	G2-1/2	150	1

QUALITY STANDARD
JIS C8461-23

NT SERIES FITTING - OTHER TYPE

TYPES OF NT SERIES FITTING

ITEM NO. OF NT SERIES FITTING

- Available on request: Styles & types of NT SERIES which can basically be available are as many as those of N SERIES already available. Contact us for more information about availability of required styles & types.

PACKING FOR NT SERIES FITTING

- Packing NTGP
- With NTGP, N SERIES fitting can be converted into NT SERIES fitting
- Contact us for an instruction for NTGP installation

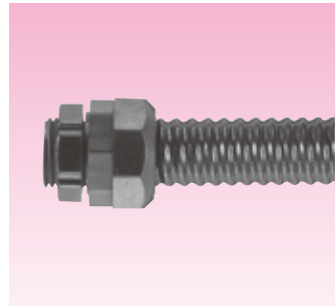
[PACKING FOR NT SERIES FITTING]

Delivery	Item number	Suitable SANFLEKI ROBO fitting	Connectable SANFLEKI	Qty / Package
○	NTGP 16	can be used for all of N SERIES	NT	16
○	NTGP 20			10
○	NTGP 25			10
○	NTGP 32			10
○	NTGP 40			8
○	NTGP 50			8
○	NTGP 63	8	8	

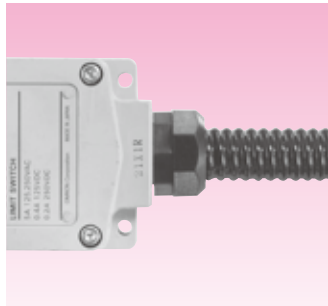
MAIN MATERIAL	FEATURE	FEATURE	ENVIRONMENT	FLAMMABILITY	TEMPERATURE RANGE
PA6	IP65	Oil resistance	RoHS	UL94V0	Lowest -20°C ~Highest 100°C

NT SERIES FITTING TYPICAL TYPES

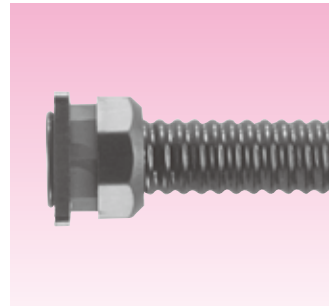
- Typical types of NT SERIES FITTING: With NTGP (Packing for NT SERIES fitting), N SERIES fitting can be converted into NT SERIES fitting (Nominated size #73 can not be converted)
- Contact us for more information



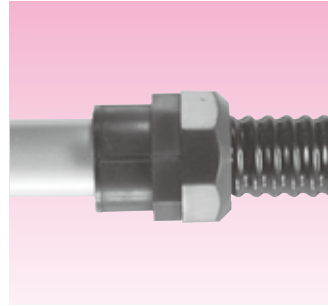
NTBG 20/NTBC 20 (例)



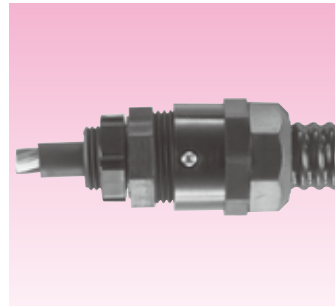
NTOG 20 (例)



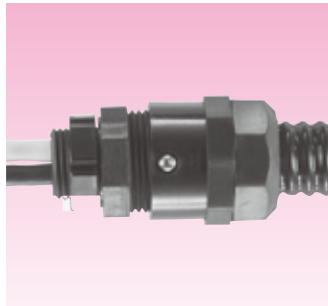
NTZS 20 54 (例)



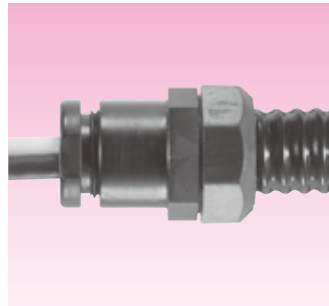
NTKG 20/NTKC 20 (例)



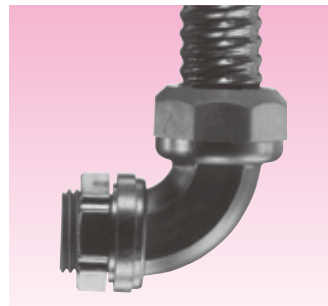
NTHBG 20 14 (例)



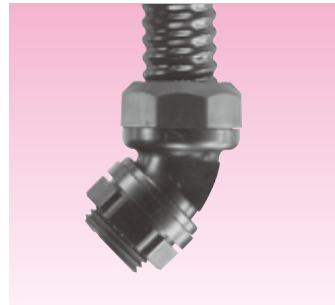
NTHMBG 20 (8×2P) (例)



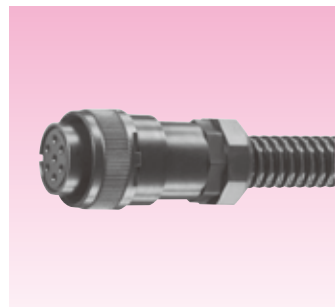
NTHMBI 20 (8×2P) (例)



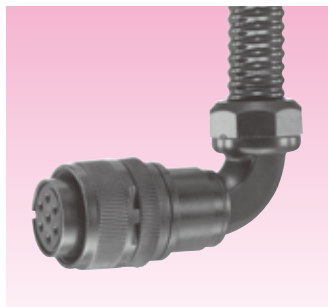
NT90BG 20 (例)



NT45BG 20 (例)



NTKD 20 18 (例)



NT90KD 20 18 (例)



SS 20 (例)



SSO 20 (例)