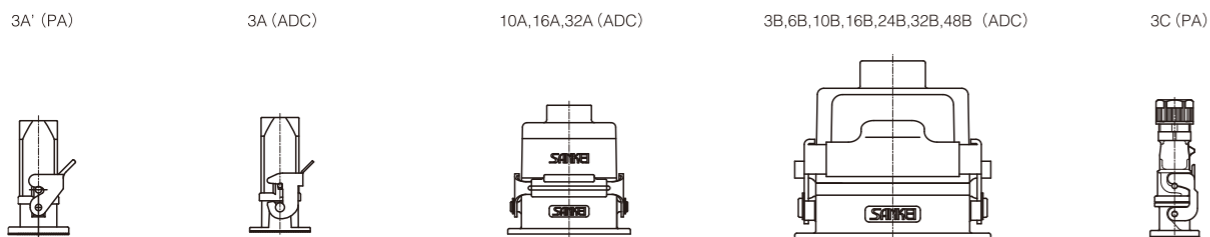


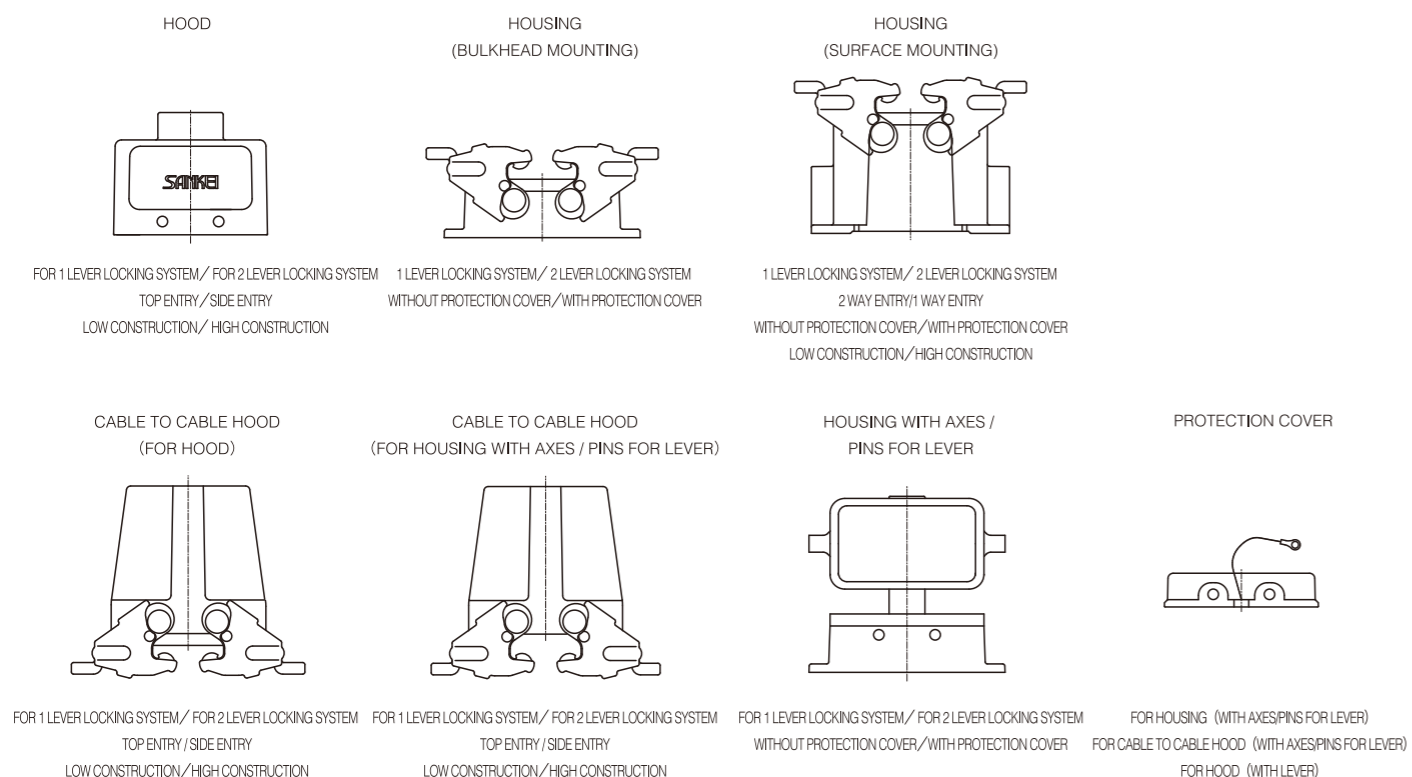
HOOD / HOUSING

SIZE (MATERIAL) / RANGE / MATCHING

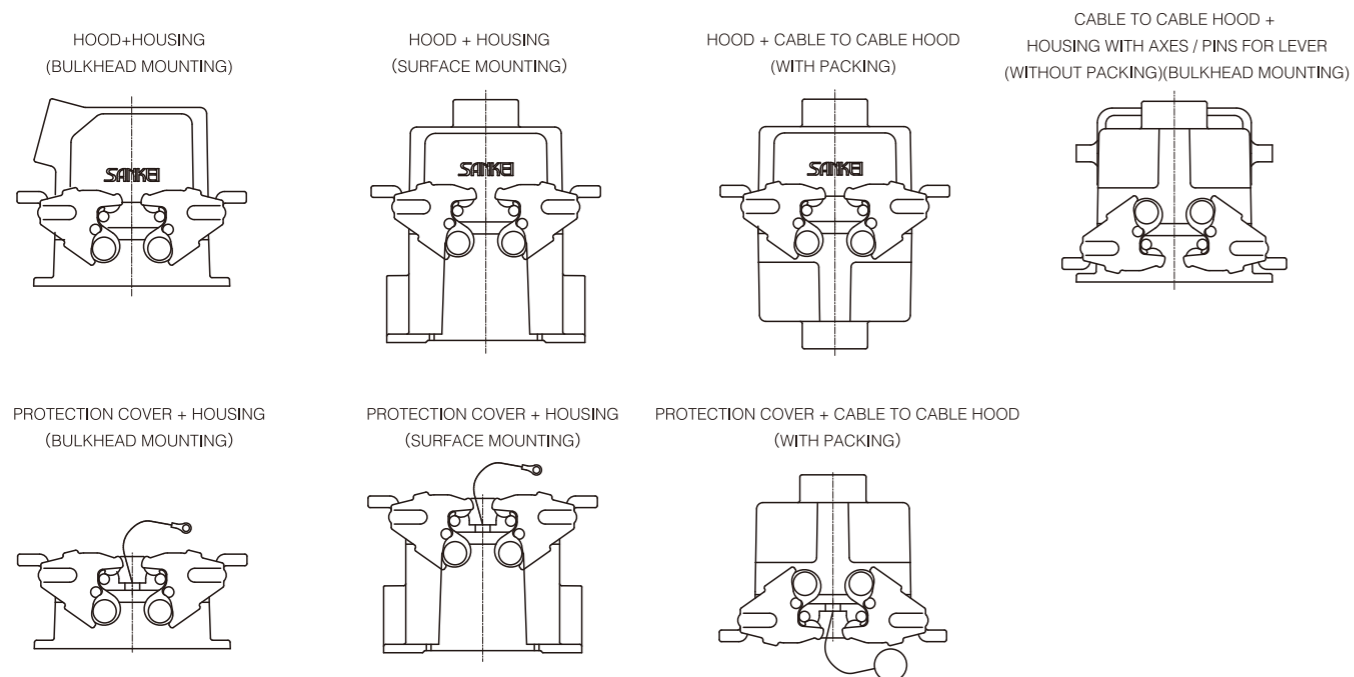
SIZE (MATERIAL)



RANGE



MATCHING

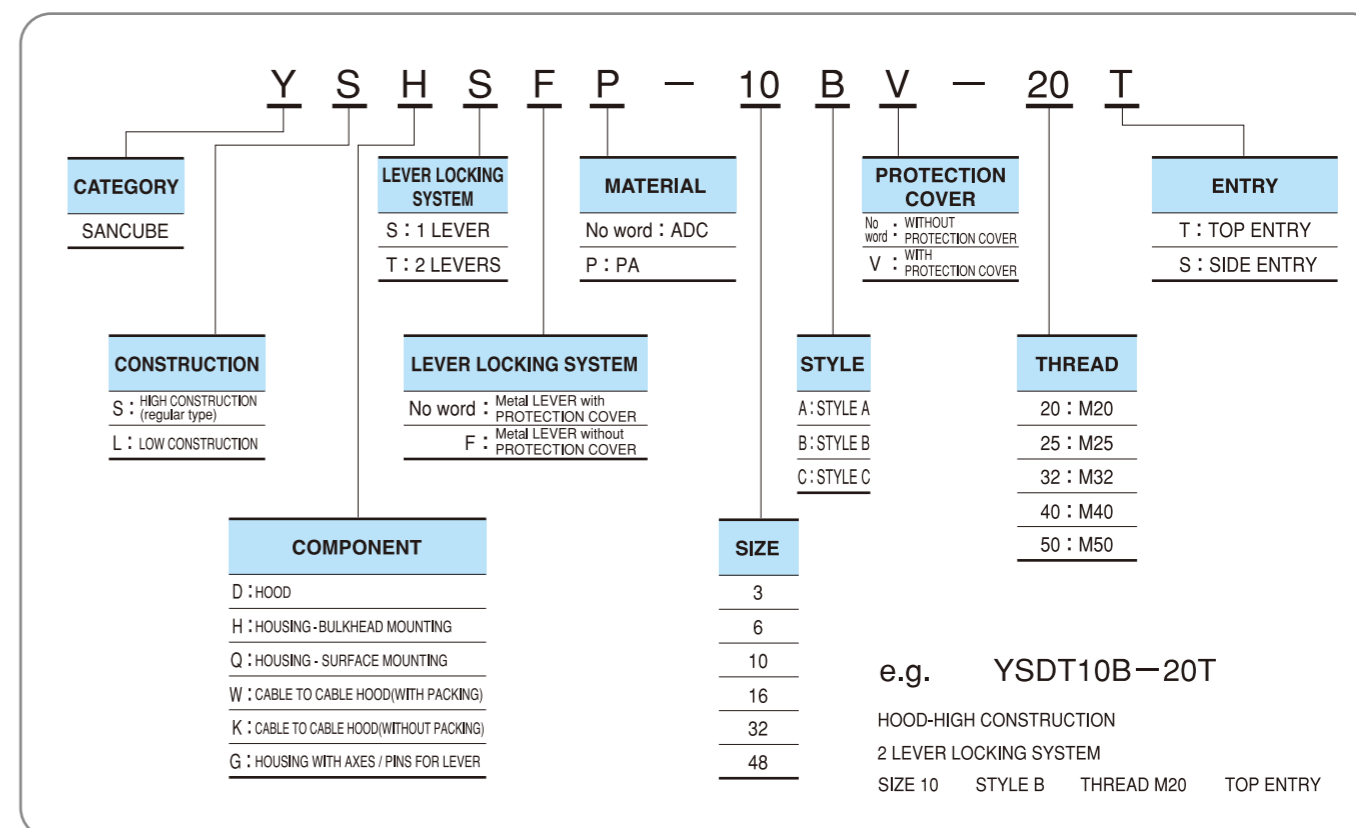


HOOD / HOUSING

SUMMARY OF CONSTRUCTION AND USE

- 1 Designed for machine tool and factory application under Pollution Degree 3
- 2 ADC is mainly used as the material
- 3 AXES / PINS for LEVER of HOOD, HOUSING: in monobloc casting with MAIN BODY. therefore the degree of protection IP is very good
- 4 With Metal LEVER. Therefore oil resistance is better than PC LEVER
- 5 O-Ring (packing) is used for the connection between HOUSING and a panel for water resistance. Panel shall have appropriate flatness and rigidity to keep the water resistance good.
- 6 Packing & nut (SCPA499, SCPA500) shall be used when connecting HOUSING to a panel should water resistance be required for the area to be fixed with screws
- 7 ENTRY for HOOD, HOUSING: with Metric thread
- 8 Fittings for ENTRY of HOOD, HOUSING.
 - Cable glands shall be used when cables are not covered by conduits.
 - When cables are covered by KEIFLEX, SANFLEKI ROBO, use appropriate fittings
- 9 MALE INSERT / FEMALE INSERT
 - MALE INSERT shall generally be connected to HOOD. It can also be connected to HOUSING
 - FEMALE INSERT shall generally connected to HOUSING. It can also be connected to HOOD
- 10 HOOD, HOUSING are basically compatible with European HOOD, HOUSING
- 11 Shorter lead-time for delivery

HOW TO READ THE ITEM CODE



HOOD / HOUSING for EMC requirements

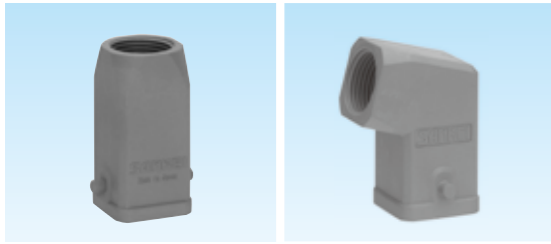
SHIELD AGAINST ELECTRICAL, MAGNETIC OR ELECTRO-MAGNETIC INTERFERENCES

- Available on request : HOOD / HOUSING for EMC requirements
- Add -E to item no. (e.g. YSHSF3A - E is YSHSF3A for EMC requirements)

HOOD STYLE 3A ' 1

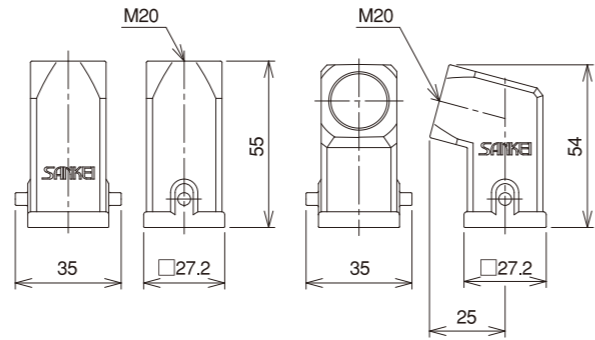
MAIN MATERIAL	FLAMMABILITY	COLOR	FEATURE	ENVIRONMENT	TEMPERATURE RANGE
PA66	UL94V0	Gray	IP65	RoHS	Lowest -20°C ~Highest 90°C

PA



TOP ENTRY SIDE ENTRY

DELIVERY	ITEM NO.	ENTRY		SIZE OF CONNECTABLE INSERT, HOOD, PROTECTION COVER	WEIGHT (g/PC)	Qty / Package
		LOCATION	THREAD			
☉	YSDSP3A-20T	TOP	M20	3A'	15	5
☉	YSDSP3A-20S	SIDE			15	5

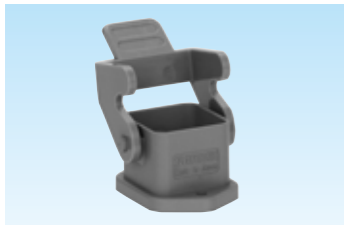


TOP ENTRY SIDE ENTRY

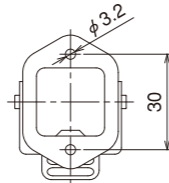
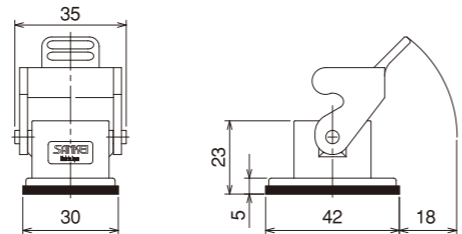
HOUSING STYLE 3A ' 1

PA

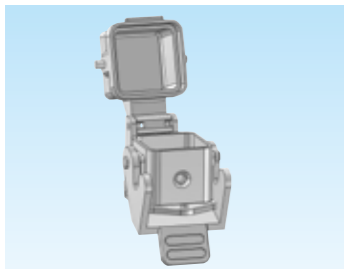
BULKHEAD MOUNTING



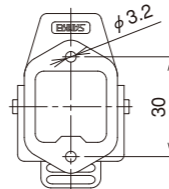
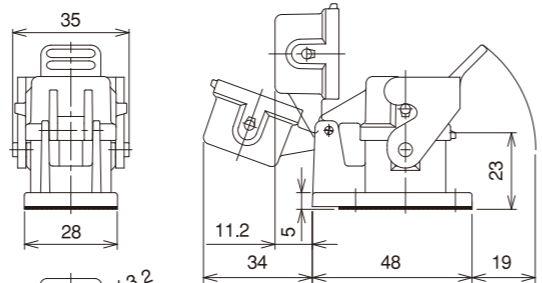
DELIVERY	ITEM NO.	SIZE OF CONNECTABLE INSERT, HOOD, PROTECTION COVER	PANEL CUT OUT	WEIGHT (g/PC)	Qty / Package
☉	YSHSP3A	3A'	22×22	10	5



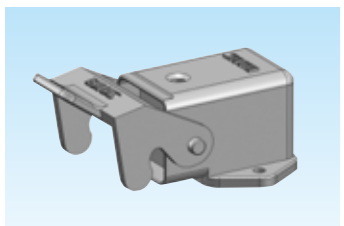
BULKHEAD MOUNTING - with PROTECTION COVER



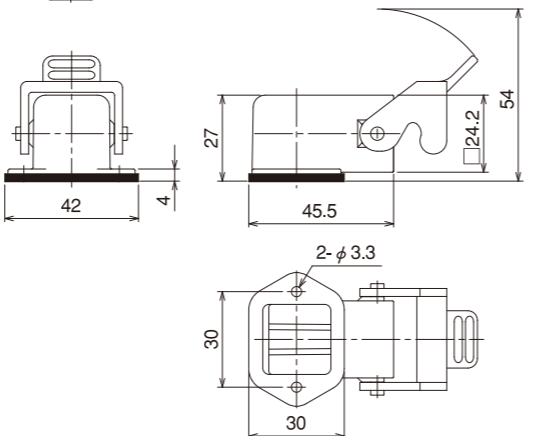
DELIVERY	ITEM NO.	CONNECTABLE INSERT	SIZE OF CONNECTABLE INSERT, HOOD	PANEL CUT OUT	WEIGHT (g/PC)	Qty / Package
-	YSHSP3AV-1	Male	3A'	22×22		
-	YSHSP3AV-2	Female				



BULKHEAD MOUNTING - ANGLE WAY



DELIVERY	ITEM NO.	SIZE OF CONNECTABLE INSERT, HOOD, PROTECTION COVER	PANEL CUT OUT	WEIGHT (g/PC)	Qty / Package
-	YSH90SP3A	3A'	22×22		

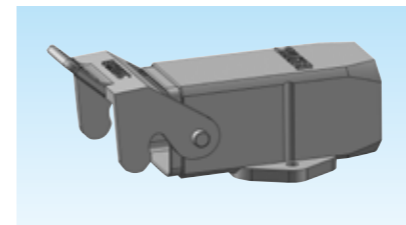


HOUSING STYLE 3A ' 1

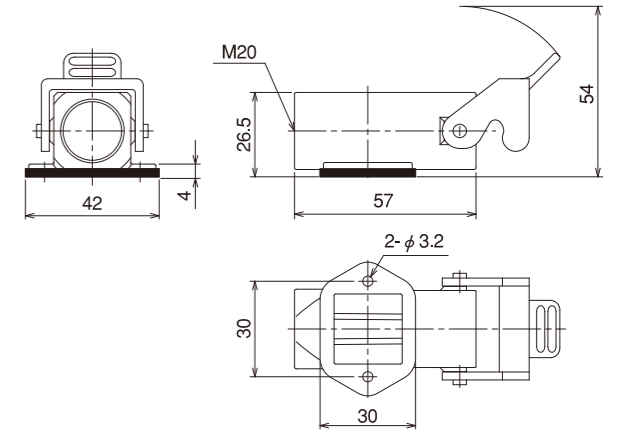
MAIN MATERIAL	FLAMMABILITY	COLOR	FEATURE	ENVIRONMENT	TEMPERATURE RANGE
PA66	UL94V0	Gray	IP65	RoHS	Lowest -20°C ~Highest 90°C

PA

SURFACE MOUNTING



DELIVERY	ITEM NO.	BOTTOM WAY	ENTRY	SIZE OF CONNECTABLE INSERT, HOOD, PROTECTION COVER	PANEL CUT OUT	WEIGHT (g/PC)	Qty / Package
-	YSZSP3A-20	OPEN	M20	3A'	22×22		

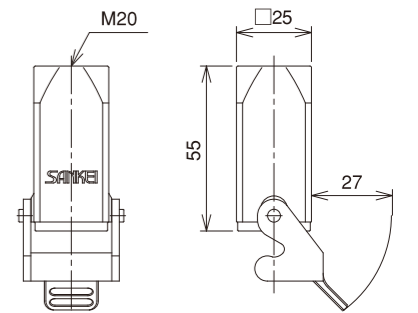


CABLE TO CABLE HOOD STYLE 3A ' 1

PA



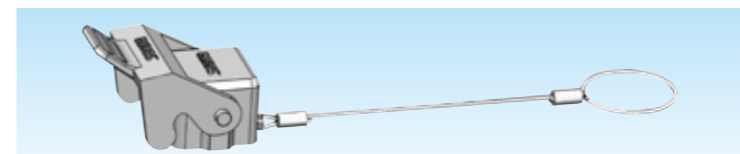
DELIVERY	ITEM NO.	SIZE OF CONNECTABLE INSERT, HOOD, PROTECTION COVER	WEIGHT (g/PC)	Qty / Package
☉	YSKSP3A-20T	3A'	16	5



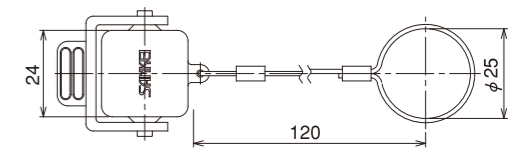
PROTECTION COVER STYLE 3A ' 1

PA

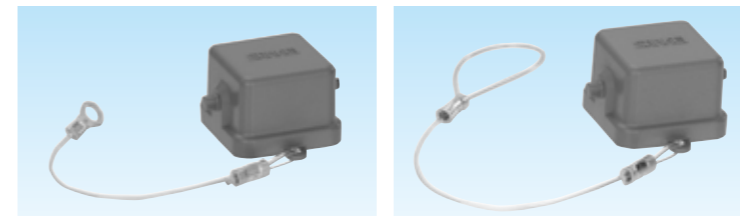
FOR HOOD - with LEVER



DELIVERY	ITEM NO.	CONNECTABLE INSERT	SIZE OF CONNECTABLE INSERT, HOOD	WEIGHT (g/PC)	Qty / Package
-	YSV3SP3A-1	Male	3A'		
-	YSV3SP3A-2	Female			

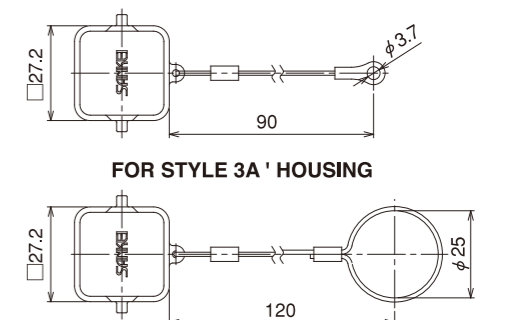


(with AXES / PINS FOR LEVER) FOR HOUSING / CABLE TO CABLE HOOD



FOR STYLE 3A ' HOUSING FOR STYLE 3A ' CABLE TO CABLE HOOD

DELIVERY	ITEM NO.	CONNECTABLE INSERT	SIZE OF CONNECTABLE INSERT, HOOD	WEIGHT (g/PC)	Qty / Package
-	YSVSP3A-1	Male	3A' HOUSING		
-	YSVSP3A-2	Female			
-	YSVSP3A-3	Male	3A' CABLE TO CABLE HOOD		
-	YSVSP3A-4	Female			

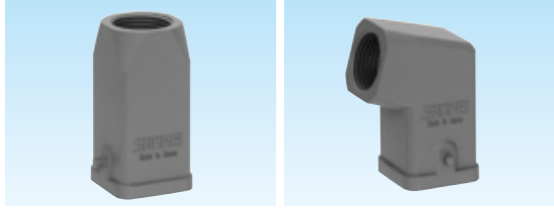


FOR STYLE 3A ' HOUSING FOR STYLE 3A ' CABLE TO CABLE HOOD

HOOD STYLE 3A

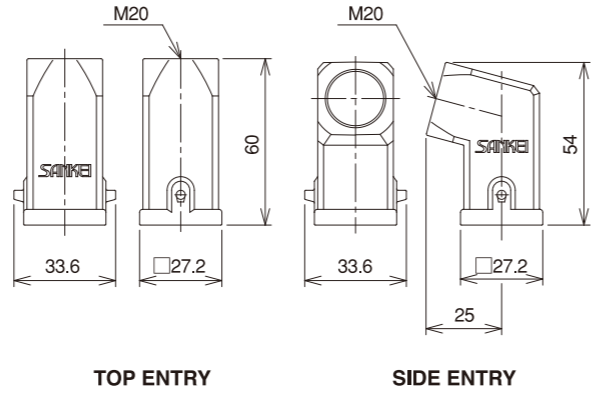
MATERIAL	SURFACE FINISH	COLOR	FEATURE	ENVIRONMENT	TEMPERATURE RANGE
ADC12	Baking finish	Gray	IP65	RoHS	Lowest -20°C ~Highest 90°C

ADC



TOP ENTRY SIDE ENTRY

DELIVERY	ITEM NO.	ENTRY		SIZE OF CONNECTABLE INSERT, HOOD, PROTECTION COVER	COLOR	WEIGHT (g/PC)	Qty / Package
		LOCATION	THREAD				
○	YSDS3A-20T	TOP	M20	3A	Gray	34	5
○	YSDS3A-20S	SIDE				33	5
○	YSDS3A-20T-BL	TOP	M20	3A	Blue	34	5
○	YSDS3A-20S-BL	SIDE				33	5



TOP ENTRY SIDE ENTRY

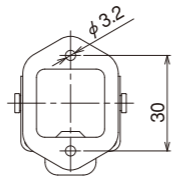
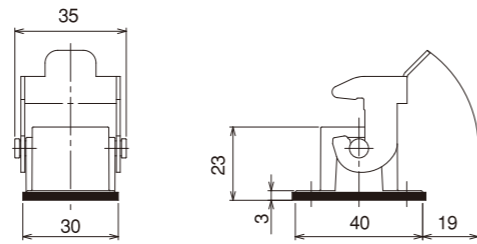
HOUSING STYLE 3A

ADC

BULKHEAD MOUNTING



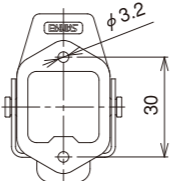
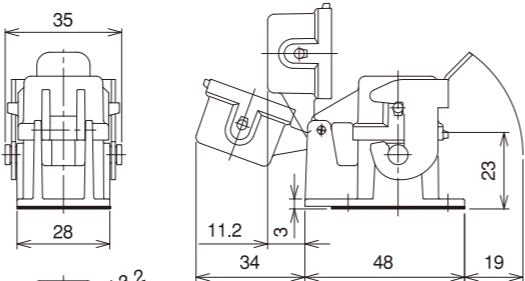
DELIVERY	ITEM NO.	SIZE OF CONNECTABLE INSERT, HOOD, PROTECTION COVER	LEVER MATERIAL	PANEL CUT OUT	COLOR	WEIGHT (g/PC)	Qty / Package
○	YSHSF3A	3A	METALLIC	22×22	Gray	24	5
○	YSHSF3A-BL	3A		22×22	Blue	24	5
○	YSHSF3A-L	3A	SUS	22×22	Gray	24	5



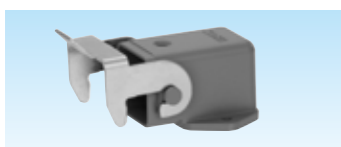
BULKHEAD MOUNTING - with PROTECTION COVER



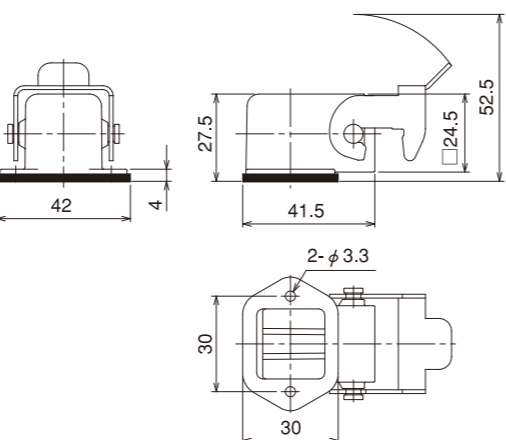
DELIVERY	ITEM NO.	CONNECTABLE INSERT	SIZE OF CONNECTABLE INSERT, HOOD	LEVER MATERIAL	PANEL CUT OUT	WEIGHT (g/PC)	Qty / Package
○	YSHSF3AV-1	Male	3A	METALLIC	22×22	50	1
○	YSHSF3AV-2	Female				50	1
○	YSHSF3AV-1-L	Male	3A	SUS	22×22	50	1
○	YSHSF3AV-2-L	Female				50	1



BULKHEAD MOUNTING - ANGLE WAY



DELIVERY	ITEM NO.	SIZE OF CONNECTABLE INSERT, HOOD, PROTECTION COVER	LEVER MATERIAL	PANEL CUT OUT	WEIGHT (g/PC)	Qty / Package
○	YSH90SF3A	3A	METALLIC	22×22	30	5
○	YSH90SF3A-L	3A	SUS	22×22	30	5

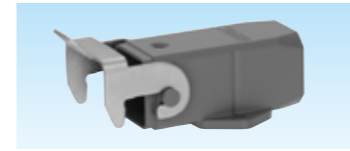


HOUSING STYLE 3A

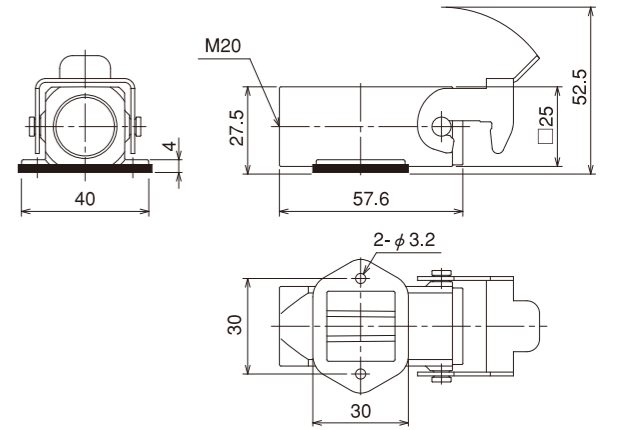
MATERIAL	SURFACE FINISH	COLOR	FEATURE	ENVIRONMENT	TEMPERATURE RANGE
ADC12	Baking finish	Gray	IP65	RoHS	Lowest -20°C ~Highest 90°C

ADC

SURFACE MOUNTING



DELIVERY	ITEM NO.	BOTTOM WAY	ENTRY	SIZE OF CONNECTABLE INSERT, HOOD, PROTECTION COVER	LEVER MATERIAL	PANEL CUT OUT	WEIGHT (g/PC)	Qty / Package
○	YSZSF3A-20	OPEN	M20	3A	METALLIC	22×22	40	1
○	YSZ2SF3A-20	CLOSE					45	1
○	YSZSF3A-20-L	OPEN	M20	3A	SUS	22×22	40	1
○	YSZ2SF3A-20-L	CLOSE					45	1

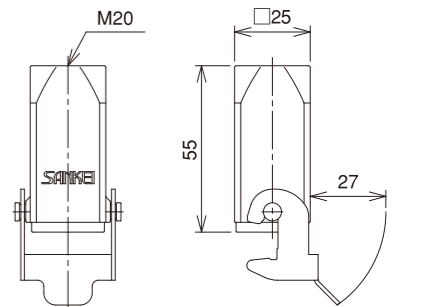


CABLE TO CABLE HOOD STYLE 3A

ADC



DELIVERY	ITEM NO.	SIZE OF CONNECTABLE INSERT, HOOD, PROTECTION COVER	LEVER MATERIAL	COLOR	WEIGHT (g/PC)	Qty / Package
○	YSKS3A-20T	3A	METALLIC	Gray	40	5
○	YSKS3A-20T-BL	3A		Blue	40	5
○	YSKS3A-20T-L	3A	SUS	Gray	40	5



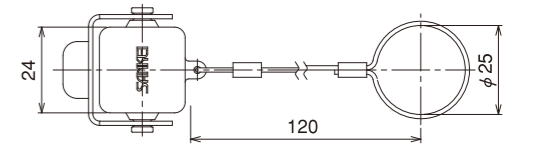
PROTECTION COVER STYLE 3A

ADC

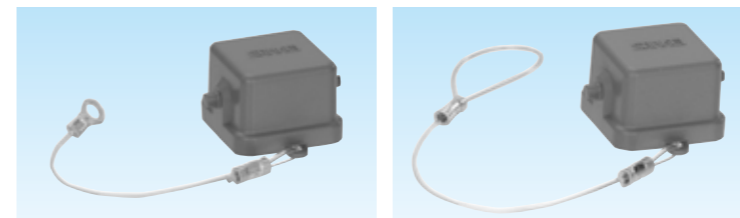
FOR HOOD - with LEVER



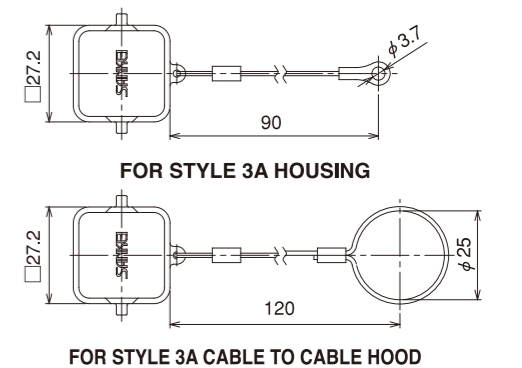
DELIVERY	ITEM NO.	CONNECTABLE INSERT	SIZE OF CONNECTABLE HOOD	WEIGHT (g/PC)	Qty / Package
○	YSV3S3A-1	Male	3A HOOD	24	5
○	YSV3S3A-2	Female		23	5



(with AXES / PINS FOR LEVER) FOR HOUSING / CABLE TO CABLE HOOD



DELIVERY	ITEM NO.	CONNECTABLE INSERT	SIZE OF CONNECTABLE HOUSING, HOOD	WEIGHT (g/PC)	Qty / Package
○	YSVS3A-1	Male	3A HOUSING	10	5
○	YSVS3A-2	Female		10	5
○	YSVS3A-3	Male	3A CABLE TO CABLE HOOD	10	5
○	YSVS3A-4	Female		10	5

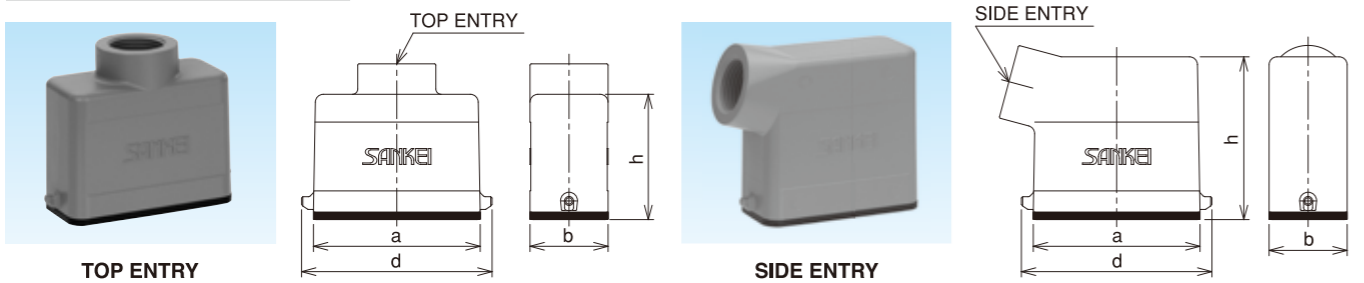


HOOD STYLE 10A • 16A • 32A

MATERIAL	SURFACE FINISH	COLOR	FEATURE	ENVIRONMENT	TEMPERATURE RANGE
ADC12	Baking finish	Gray	IP65	RoHS	Lowest -20°C ~Highest 90°C

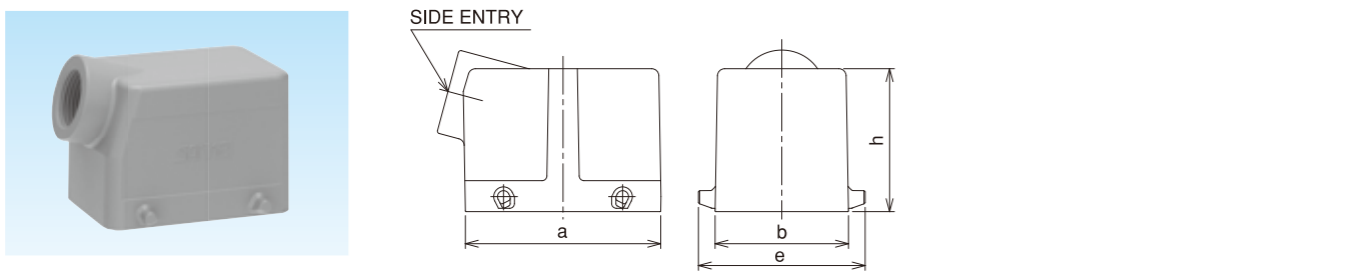
LOW CONSTRUCTION

FOR 1 LEVER LOCKING SYSTEM



DELIVERY		ITEM NO.		ENTRY THREAD	SIZE OF CONNECTABLE INSERT, HOUSING, PROTECTION COVER	a	b	h		d	WEIGHT (g/PC)	Qty / Package
TOP	SIDE	TOP ENTRY	SIDE ENTRY					TOP	SIDE			
○	○	YLDS10A-20T	YLDS10A-20S	M20	10A	63	29.5	47	61.5	72	90	1
○	○	YLDS16A-20T	YLDS16A-20S	M20	16A	79.5	29.5	47	61.5	88.5	135	1

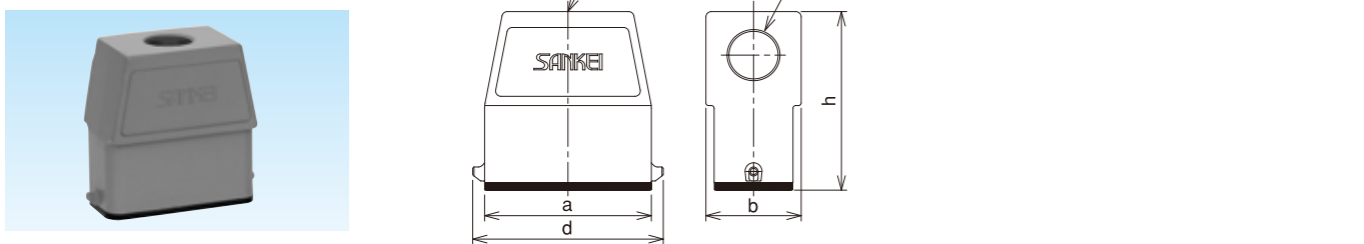
FOR 2 LEVER LOCKING SYSTEM



DELIVERY		ITEM NO.		ENTRY THREAD	SIZE OF CONNECTABLE INSERT, HOUSING, PROTECTION COVER	a	b	h		e	WEIGHT (g/PC)	Qty / Package
TOP	SIDE	TOP ENTRY	SIDE ENTRY					TOP	SIDE			
☆	○	—	YLDT32A-25S	M25	32A	82	56	—	60	70	215	1

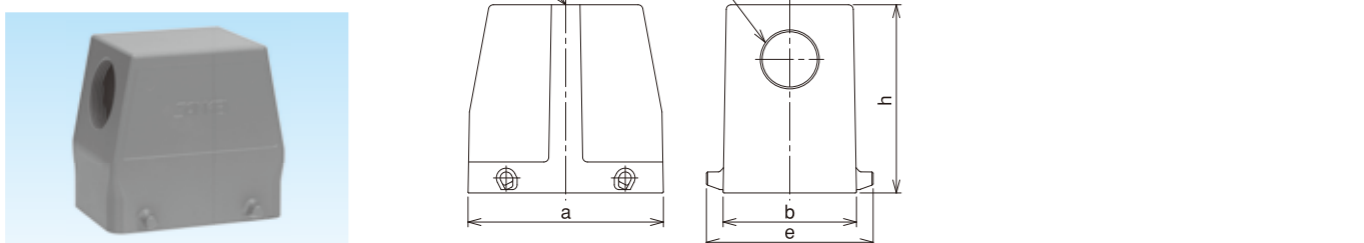
HIGH CONSTRUCTION

FOR 1 LEVER LOCKING SYSTEM



DELIVERY		ITEM NO.		ENTRY THREAD	SIZE OF CONNECTABLE INSERT, HOUSING, PROTECTION COVER	a	b	h	d	WEIGHT (g/PC)	Qty / Package
TOP	SIDE	TOP ENTRY	SIDE ENTRY								
○	○	YSDS10A-20T	YSDS10A-20S	M20	10A	63	36	67.5	72	140	1
○	○	YSDS10A-25T	YSDS10A-25S	M25							1
○	○	YSDS16A-20T	YSDS16A-20S	M20	16A	79.5	36	70.5	88.5	170	1
○	○	YSDS16A-25T	YSDS16A-25S	M25							1

FOR 2 LEVER LOCKING SYSTEM



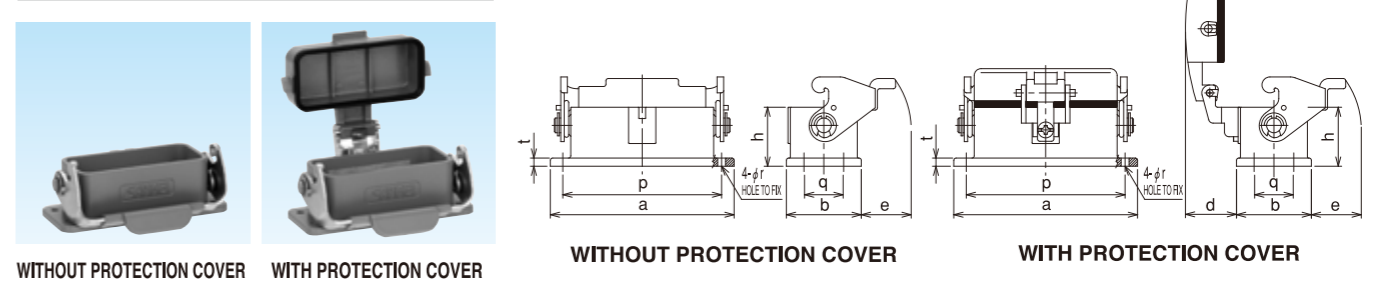
DELIVERY		ITEM NO.		ENTRY THREAD	SIZE OF CONNECTABLE INSERT, HOUSING, PROTECTION COVER	a	b	h		e	WEIGHT (g/PC)	Qty / Package
TOP	SIDE	TOP ENTRY	SIDE ENTRY					TOP	SIDE			
○	○	YSDT32A-25T	YSDT32A-25S	M25	32A	82	56	79	70	261	1	
○	○	YSDT32A-32T	YSDT32A-32S	M32								1

HOUSING STYLE 10A • 16A • 32A

MATERIAL	SURFACE FINISH	COLOR	FEATURE	ENVIRONMENT	TEMPERATURE RANGE
ADC12	Baking finish	Gray	IP65	RoHS	Lowest -20°C ~Highest 90°C

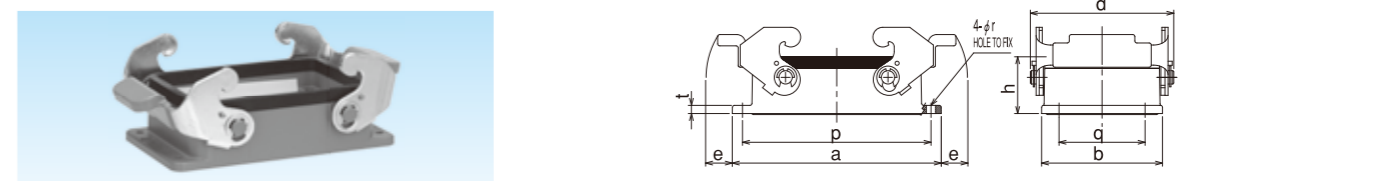
BULKHEAD MOUNTING

1 LEVER LOCKING SYSTEM



DELIVERY		ITEM NO.		SIZE OF CONNECTABLE INSERT, HOOD, PROTECTION COVER	a	b	h	d	e	r	t	p	q	PANEL CUT OUT	WEIGHT(g/PC)	Qty / Package
TOP	SIDE	TOP ENTRY	SIDE ENTRY													
○	☆	YSHS10A	YSHS10AV	10A	81	33	26	23	23	3.4	3.6	70	17.5	57×24	65	1
○	☆	YSHS16A	YSHS16AV	16A	96	33	26	23	23	3.4	3.6	86	17.5	73×24	75	1

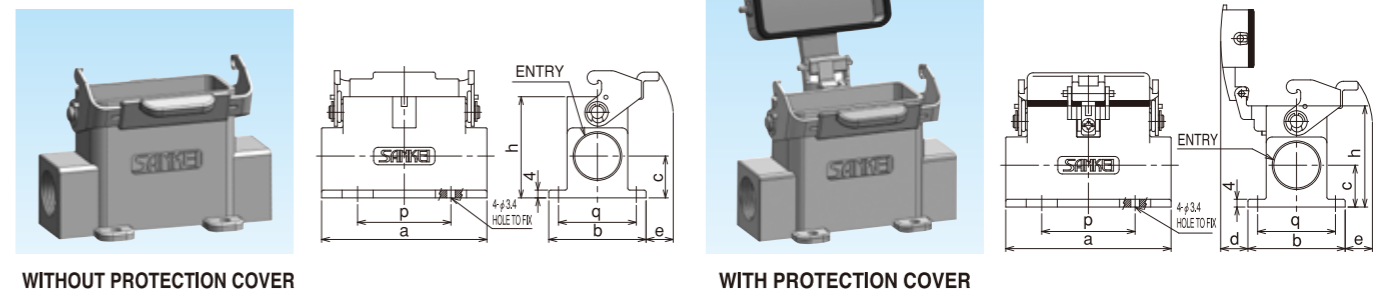
2 LEVER LOCKING SYSTEM



DELIVERY		ITEM NO.		SIZE OF CONNECTABLE INSERT, HOOD, PROTECTION COVER	a	b	h	d	e	r	t	p	q	PANEL CUT OUT	WEIGHT (g/PC)	Qty / Package
TOP	SIDE	TOP ENTRY	SIDE ENTRY													
○	—	—	YSHT32A	32A	102	59	28.5	72	14	4.4	4	92	42	73×48	150	1

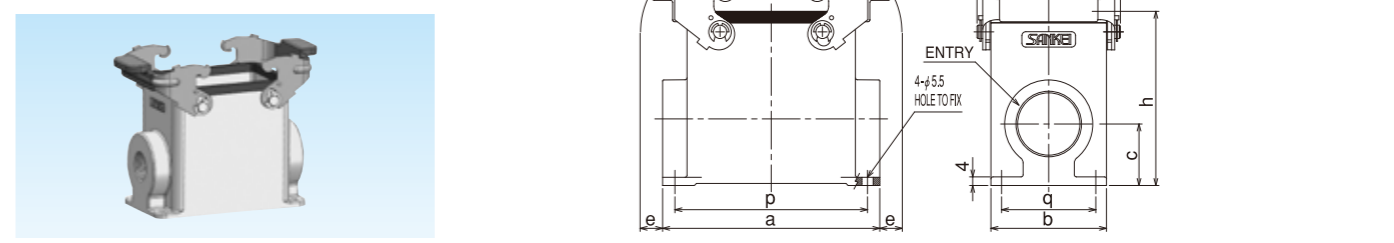
SURFACE MOUNTING

LOW CONSTRUCTION - 1 LEVER LOCKING SYSTEM



DELIVERY		ITEM NO.				ENTRY THREAD	SIZE OF CONNECTABLE INSERT, HOOD	a	b	c	h	d	e	p	q	WEIGHT(g/PC)		Qty / Package
WITHOUT PROTECTION COVER	WITH PROTECTION COVER	2 WAY ENTRY		1 WAY ENTRY												WITHOUT PROTECTI ON COVER	WITH PROTECTI ON COVER	
—	—	YLSQ10A-20R	YLSQ10A-20RV	—	—	M20	10A											
—	—	—	—	YLSQ10A-25	—	M25												
—	—	YLSQ16A-20R	YLSQ16A-20RV	YLSQ16A-20	YLSQ16A-20V	M20	16A											
—	—	YLSQ16A-25R	YLSQ16A-25RV	—	—	M25												

HIGH CONSTRUCTION - 2 LEVER LOCKING SYSTEM



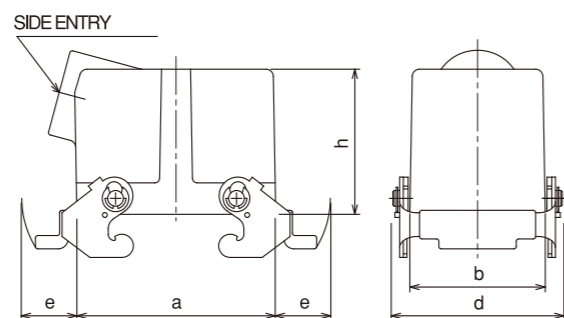
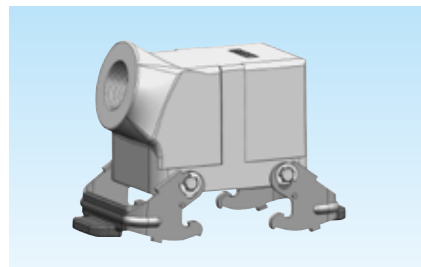
DELIVERY		ITEM NO.		ENTRY THREAD	SIZE OF CONNECTABLE INSERT, HOOD, PROTECTION COVER	a	b	c	h	d	e	p	q	WEIGHT (g/PC)	Qty / Package
TOP	SIDE	TOP ENTRY	SIDE ENTRY												
—	—	—	YSQT32A-25	M25	32A										
—	—	YSQT32A-32R	YSQT32A-32	M32											

CABLE TO CABLE HOOD STYLE 32A

MATERIAL	SURFACE FINISH	COLOR	FEATURE	ENVIRONMENT	TEMPERATURE RANGE
ADC12	Baking finish	Gray	IP65	RoHS	Lowest -20°C ~Highest 90°C

LOW CONSTRUCTION

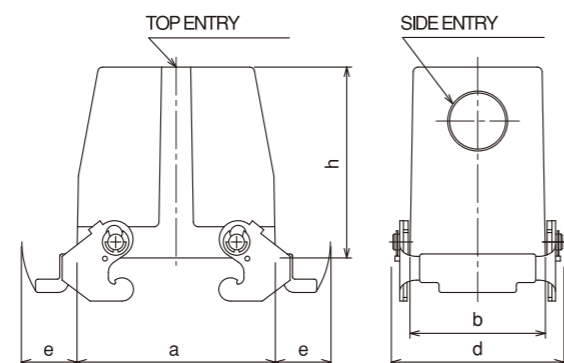
2 LEVER LOCKING SYSTEM



DELIVERY	ITEM NO.		ENTRY THREAD	SIZE OF CONNECTABLE INSERT, HOUSING, PROTECTION COVER, HOOD	a	b	h	d	e	WEIGHT (g/PC)	Qty / Package
	SIDE ENTRY	WITHOUT PACKING									
-	YLKT32A-25S		M25	32A							

HIGH CONSTRUCTION

2 LEVER LOCKING SYSTEM



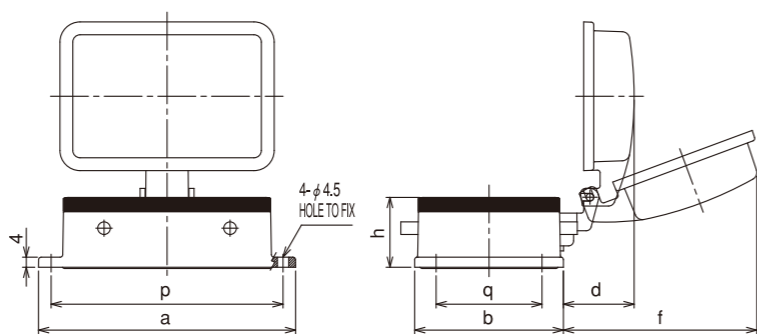
DELIVERY	ITEM NO.		ENTRY THREAD	SIZE OF CONNECTABLE INSERT, HOUSING, PROTECTION COVER, HOOD	a	b	h	d	e	WEIGHT (g/PC)	Qty / Package
	TOP ENTRY	SIDE ENTRY									
	WITHOUT PACKING	WITHOUT PACKING									
-	YSKT32A-25T	YSKT32A-25S	M25	32A							
-	YSKT32A-32T	YSKT32A-32S	M32								

HOUSING with AXES / PINS FOR LEVER STYLE 32A

MATERIAL	SURFACE FINISH	COLOR	ENVIRONMENT	TEMPERATURE RANGE
ADC12	Baking finish	Gray	RoHS	Lowest -20°C ~Highest 90°C

BULKHEAD MOUNTING

FOR 2 LEVER LOCKING SYSTEM

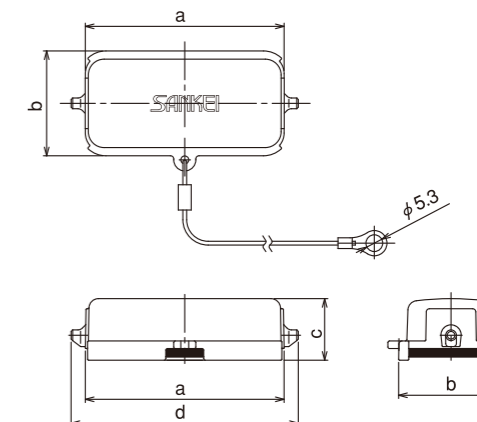
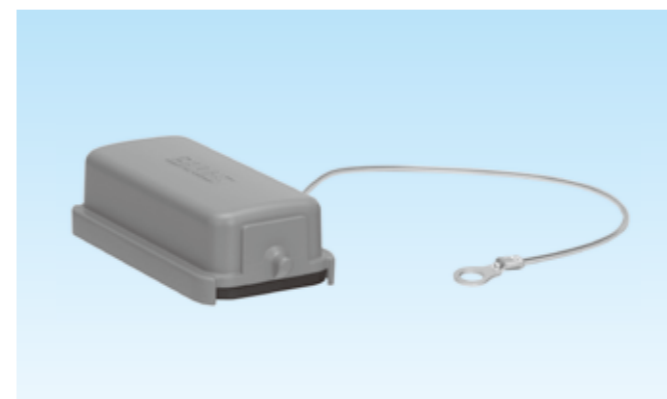


DELIVERY	ITEM NO.	PROTECTION COVER MATERIAL	SIZE OF CONNECTABLE CABLE TO CABLE HOOD	a	b	h	d	f	p	q	WEIGHT (g/PC)	Qty / Package
-	YSGT32A	ADC	32A									

PROTECTION COVER STYLE 10A • 16A • 32A

MATERIAL	SURFACE FINISH	COLOR	FEATURE	ENVIRONMENT	TEMPERATURE RANGE
ADC12	Baking finish	Gray	IP65	RoHS	Lowest -20°C ~Highest 90°C

(with AXES / PINS FOR LEVER) FOR HOUSING / CABLE TO CABLE HOOD



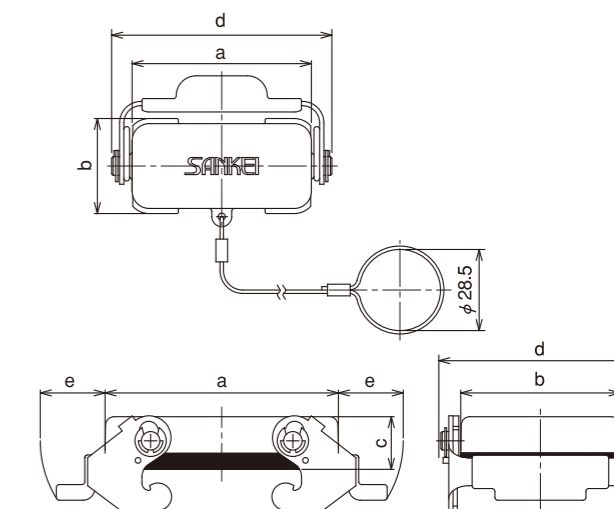
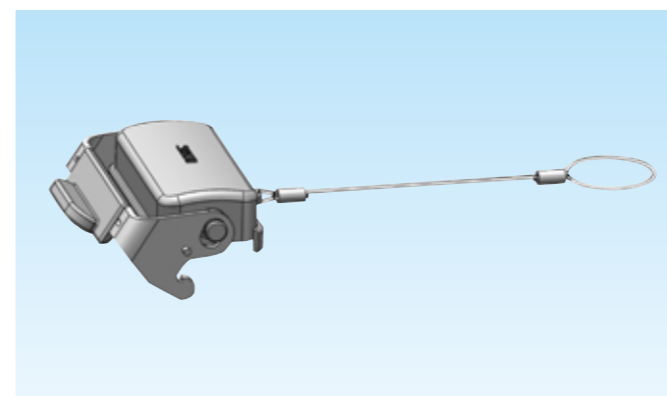
[FOR 1 LEVER LOCKING SYSTEM]

DELIVERY	ITEM NO.	PROTECTION COVER MATERIAL	SIZE OF CONNECTABLE HOUSING	a	b	c	d	WEIGHT (g/PC)	Qty / Package
◎	YSVS10A	ADC	10A	63.0	33.2	19.5	72.0	25	1
◎	YSVS16A	ADC	16A	79.6	33.2	19.5	88.5	30	1

[FOR 2 LEVER LOCKING SYSTEM]

DELIVERY	ITEM NO.	PROTECTION COVER MATERIAL	SIZE OF CONNECTABLE HOUSING	a	b	c	d	WEIGHT (g/PC)	Qty / Package
-	YSVT32A	ADC	32A						

FOR HOOD - with LEVER



[1 LEVER LOCKING SYSTEM]

DELIVERY	ITEM NO.	PROTECTION COVER MATERIAL	SIZE OF CONNECTABLE HOUSING	a	b	c	d	e	WEIGHT (g/PC)	Qty / Package
-	YSV3S10A	ADC	10A							
-	YSV3S16A	ADC	16A							

[2 LEVER LOCKING SYSTEM]

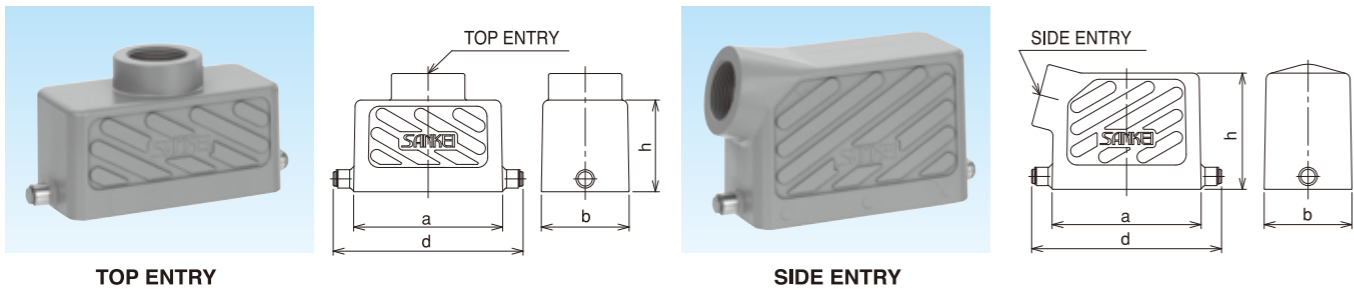
DELIVERY	ITEM NO.	PROTECTION COVER MATERIAL	SIZE OF CONNECTABLE HOUSING	a	b	c	d	e	WEIGHT (g/PC)	Qty / Package
☆	YSV3T32A	ADC	32A							

HOOD STYLE B

MATERIAL	SURFACE FINISH	COLOR	FEATURE	ENVIRONMENT	TEMPERATURE RANGE
ADC12	Baking finish	Gray	IP65	RoHS	Lowest -20°C ~Highest 90°C

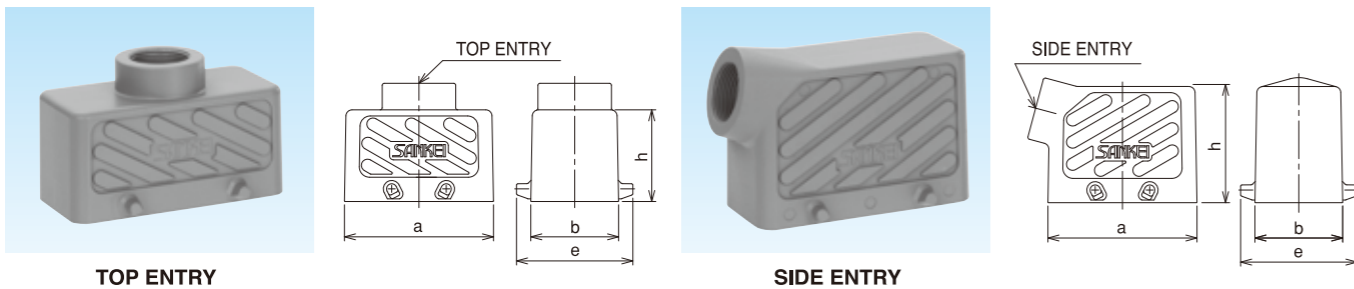
LOW CONSTRUCTION

FOR 1 LEVER LOCKING SYSTEM



DELIVERY	ITEM NO.		ENTRY THREAD	SIZE OF CONNECTABLE INSERT, HOUSING, PROTECTION COVER	a	b	h		d	WEIGHT (g/PC)	Qty / Package
	TOP ENTRY	SIDE ENTRY					TOP	SIDE			
○	YLDS 3B-20T	YLDS 3B-20S	M20	3B	59	33	40	43	72	100	1
○	YLDS 6B-20T	YLDS 6B-20S	M20	6B	60	43	40	46	73	120	1
○	YLDS 6B-25T	YLDS 6B-25S	M25				50	1			
○	YLDS10B-20T	YLDS10B-20S	M20	10B	73	43	45	57	93	165	1
○	YLDS10B-25T	YLDS10B-25S	M25				1				
○	YLDS16B-25T	YLDS16B-25S	M25	16B	93.5	43	45	62.5	114	220	1
○	YLDS16B-32T	YLDS16B-32S	M32				1				
○	YLDS24B-25T	YLDS24B-25S	M25	24B	120	43	55	62.5	140	250	1
○	YLDS24B-32T	YLDS24B-32S	M32								1

FOR 2 LEVER LOCKING SYSTEM



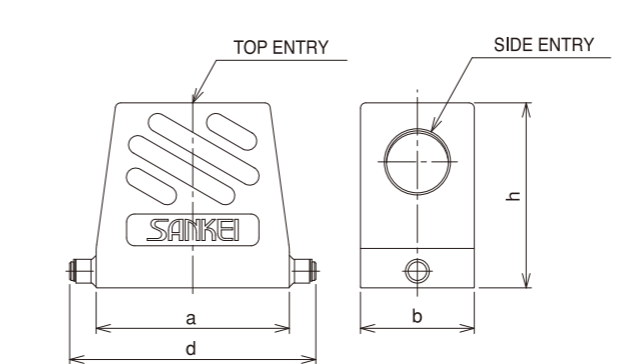
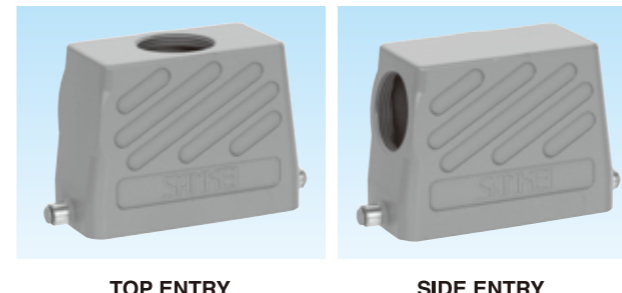
DELIVERY	ITEM NO.		ENTRY THREAD	SIZE OF CONNECTABLE INSERT, HOUSING, PROTECTION COVER	a	b	h		e	WEIGHT (g/PC)	Qty / Package
	TOP ENTRY	SIDE ENTRY					TOP	SIDE			
○	YLDT10B-20T	YLDT10B-20S	M20	10B	73	43	45	57	57	165	1
○	YLDT10B-25T	YLDT10B-25S	M25				1				
○	YLDT16B-25T	YLDT16B-25S	M25	16B	93.5	43	45	62.5	57	220	1
○	YLDT16B-32T	YLDT16B-32S	M32								1
○	YLDT24B-25T	YLDT24B-25S	M25	24B	120	43	55	62.5	57	250	1
○	YLDT24B-32T	YLDT24B-32S	M32								1

HOOD STYLE B

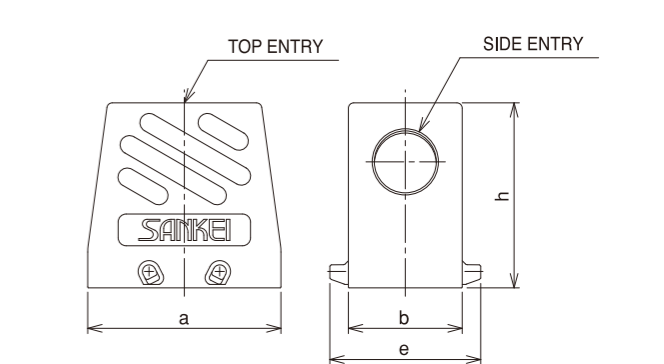
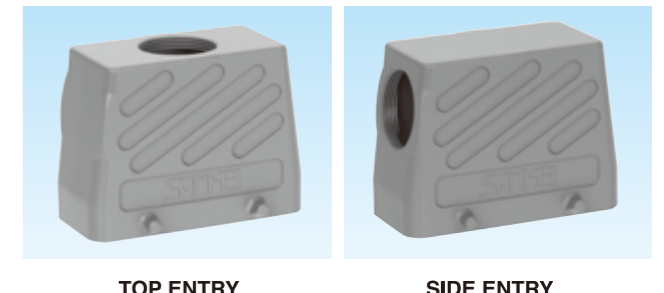
MATERIAL	SURFACE FINISH	COLOR	FEATURE	ENVIRONMENT	TEMPERATURE RANGE
ADC12	Baking finish	Gray	IP65	RoHS	Lowest -20°C ~Highest 90°C

HIGH CONSTRUCTION

FOR 1 LEVER LOCKING SYSTEM



FOR 2 LEVER LOCKING SYSTEM



[FOR 1 LEVER LOCKING SYSTEM]

DELIVERY	ITEM NO.		ENTRY THREAD	SIZE OF CONNECTABLE INSERT, HOUSING, PROTECTION COVER	a	b	h	d	WEIGHT (g/PC)	Qty / Package
	TOP ENTRY	SIDE ENTRY								
○	YSDS 3B-20T	YSDS 3B-20S	M20	3B	59	33	70	72	125	1
○	YSDS 3B-25T	YSDS 3B-25S	M25							1
○	YSDS 6B-25T	YSDS 6B-25S	M25	6B	60	43	70	73	150	1
○	YSDS 6B-32T	YSDS 6B-32S	M32							1
○	YSDS10B-20T	YSDS10B-20S	M20	10B	73	43	70	93	185	1
○	YSDS10B-25T	YSDS10B-25S	M25							1
○	YSDS16B-20T	YSDS16B-20S	M20	16B	93.5	43	70	114	220	1
○	YSDS16B-25T	YSDS16B-25S	M25							1
○	YSDS16B-32T	YSDS16B-32S	M32	16B	93.5	43	70	114	220	1
○	YSDS16B-40T	YSDS16B-40S	M40							1
○	YSDS24B-25T	YSDS24B-25S	M25	24B	120	43	70	140	250	1
○	YSDS24B-32T	YSDS24B-32S	M32							1
○	YSDS24B-40T	YSDS24B-40S	M40	24B	120	43	70	140	250	1
○	YSDS24B-50T	YSDS24B-50S	M50							1
☆	YSDS48B-32T	YSDS48B-32S	M32	48B						
☆	YSDS48B-40T	YSDS48B-40S	M40							
☆	YSDS48B-50T	YSDS48B-50S	M50							

[FOR 2 LEVER LOCKING SYSTEM]

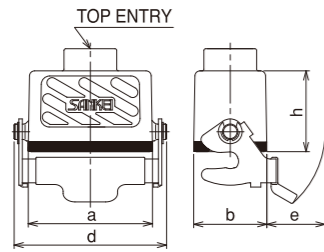
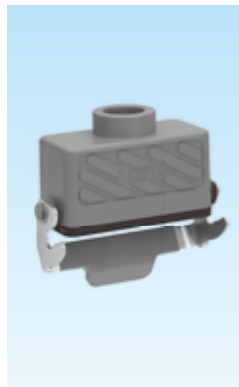
DELIVERY	ITEM NO.		ENTRY THREAD	SIZE OF CONNECTABLE INSERT, HOUSING, PROTECTION COVER	a	b	h	d	WEIGHT (g/PC)	Qty / Package
	TOP ENTRY	SIDE ENTRY								
○	YSDT10B-20T	YSDT10B-20S	M20	10B	73	43	70	57	185	1
○	YSDT10B-25T	YSDT10B-25S	M25							1
○	YSDT10B-32T	YSDT10B-32S	M32							1
○	YSDT16B-20T	YSDT16B-20S	M20	16B	93.5	43	70	57	220	1
○	YSDT16B-25T	YSDT16B-25S	M25							1
○	YSDT16B-32T	YSDT16B-32S	M32	16B	93.5	43	70	57	220	1
○	YSDT16B-40T	YSDT16B-40S	M40							1
○	YSDT24B-25T	YSDT24B-25S	M25	24B	120	43	70	57	250	1
○	YSDT24B-32T	YSDT24B-32S	M32							1
○	YSDT24B-40T	YSDT24B-40S	M40	24B	120	43	70	57	250	1
○	YSDT24B-50T	YSDT24B-50S	M50							1
○	YSDT32B-32T	YSDT32B-32S	M32	32B	93.5	82.5	94	102	500	1
○	YSDT32B-40T	YSDT32B-40S	M40							1
○	YSDT32B-50T	YSDT32B-50S	M50							1

CABLE TO CABLE HOOD STYLE B

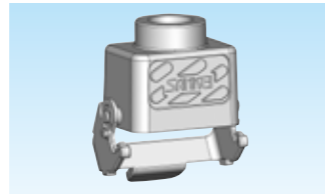
MATERIAL	SURFACE FINISH	COLOR	FEATURE	ENVIRONMENT	TEMPERATURE RANGE
ADC12	Baking finish	Gray	IP65	RoHS	Lowest -20°C ~Highest 90°C

LOW CONSTRUCTION

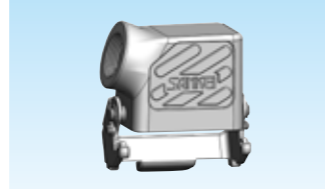
1 LEVER LOCKING SYSTEM



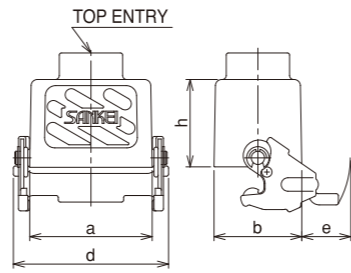
WITH PACKING



TOP ENTRY



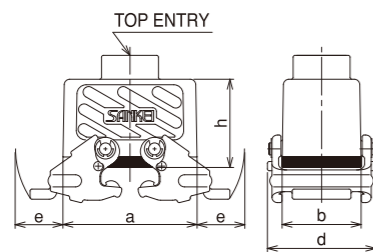
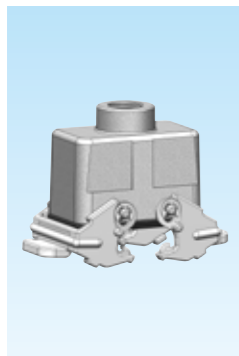
SIDE ENTRY



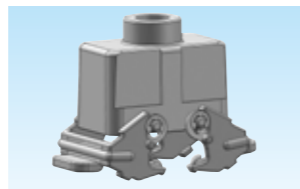
WITHOUT PACKING

DELIVERY	ITEM NO.			ENTRY THREAD	SIZE OF CONNECTABLE INSERT,HOOD,HOUSING	a	b	h	d	e	WEIGHT (g/PC)	Qty / Package
	TOP ENTRY		SIDE ENTRY									
	WITH PACKING	WITHOUT PACKING										
—	YLWSF3B-20T	—	—	M20								
—	YLWS 6B-20T	—	—	M20								
⊙	YLWS 6B-25T	—	—	M25	6B	60	43	45.5	76	25	155	1
—	—	YLKS 6B-20T	—	M20								
—	—	YLKS 6B-25T	—	M25								
—	—	YLKS 6B-20S	—	M20								
—	—	YLKS 6B-25S	—	M25								
—	YLWS10B-20T	—	—	M20	10B							
⊙	YLWS16B-25T	—	—	M25								
⊙	YLWS16B-32T	—	—	M32								
—	YLWS24B-25T	—	—	M25	24B							
—	YLWS24B-32T	—	—	M32								

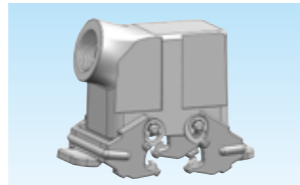
2 LEVER LOCKING SYSTEM



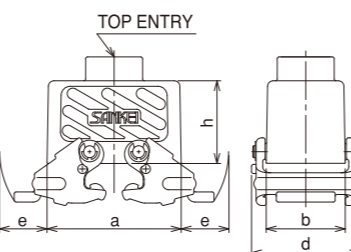
WITH PACKING



TOP ENTRY



SIDE ENTRY



WITHOUT PACKING

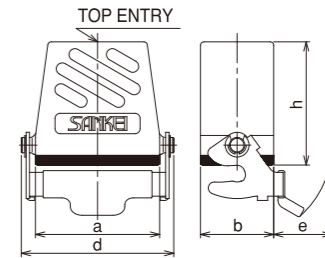
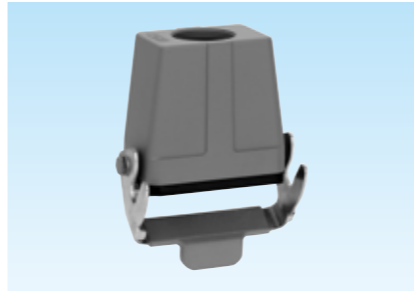
DELIVERY	ITEM NO.			ENTRY THREAD	SIZE OF CONNECTABLE INSERT,HOOD,HOUSING	a	b	h	d	e	WEIGHT (g/PC)	Qty / Package
	TOP ENTRY		SIDE ENTRY									
	WITH PACKING	WITHOUT PACKING										
—	YLWT10B-20T	—	—	M20	10B							
—	—	YLKT10B-20T	—	M20								
—	—	YLKT10B-20S	—	M20								
—	YLWT16B-25T	—	—	M25	16B							
—	YLWT16B-32T	—	—	M32								
—	—	YLKT16B-25T	—	M25								
—	—	YLKT16B-32T	—	M32								
—	—	YLKT16B-25S	—	M25								
—	—	YLKT16B-32S	—	M32								
—	YLWT24B-25T	—	—	M25	24B							
—	YLWT24B-32T	—	—	M32								
—	—	YLKT24B-25T	—	M25								
—	—	YLKT24B-32T	—	M32								
—	—	YLKT24B-25S	—	M25								
—	—	YLKT24B-32S	—	M32								

CABLE TO CABLE HOOD STYLE B

MATERIAL	SURFACE FINISH	COLOR	FEATURE	ENVIRONMENT	TEMPERATURE RANGE
ADC12	Baking finish	Gray	IP65	RoHS	Lowest -20°C ~Highest 90°C

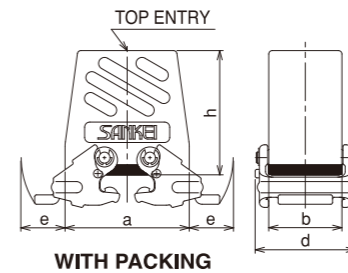
HIGH CONSTRUCTION

1 LEVER LOCKING SYSTEM

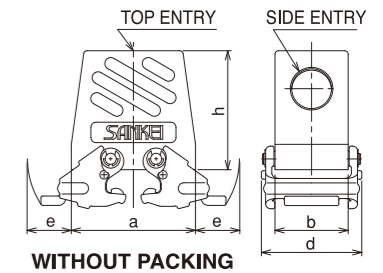


DELIVERY	ITEM NO.			ENTRY THREAD	SIZE OF CONNECTABLE INSERT,HOOD	a	b	h	d	e	WEIGHT (g/PC)	Qty / Package
	TOP ENTRY		SIDE ENTRY									
	WITH PACKING	WITHOUT PACKING										
—	YSWSF3B-20T	—	—	M20	3B							
—	YSWSF3B-25T	—	—	M25								
⊙	YSWS 6B-25T	—	—	M25	6B	60	43	73	75	25	200	1
⊙	YSWS 6B-32T	—	—	M32								
⊙	YSWS10B-25T	—	—	M25	10B	73	43	73	90	35	250	1
⊙	YSWS10B-32T	—	—	M32								
☆	YSWS16B-25T	—	—	M25	16B							
☆	YSWS16B-32T	—	—	M32								
—	YSWS24B-25T	—	—	M25	24B							
—	YSWS24B-32T	—	—	M32								

2 LEVER LOCKING SYSTEM



WITH PACKING



WITHOUT PACKING

DELIVERY	ITEM NO.			ENTRY THREAD	SIZE OF CONNECTABLE INSERT,HOOD,HOUSING	a	b	h	d	e	WEIGHT (g/PC)	Qty / Package
	TOP ENTRY		SIDE ENTRY									
	WITH PACKING	WITHOUT PACKING										
⊙	YSWT10B-25T	—	—	M25	10B	73	43	73	59	25	250	1
⊙	YSWT10B-32T	—	—	M32								
—	—	YSKT10B-25T	—	M25								
—	—	YSKT10B-32T	—	M32								
—	—	YSKT10B-25S	—	M25								
—	—	YSKT10B-32S	—	M32								
☆	YSWT16B-25T	—	—	M25	16B							
☆	YSWT16B-32T	—	—	M32								
—	—	YSKT16B-25T	—	M25								
—	—	YSKT16B-32T	—	M32								
—	—	YSKT16B-25S	—	M25								
—	—	YSKT16B-32S	—	M32								
—	—	YSKT16B-40S	—	M40								
☆	YSWT24B-25T	—	—	M25	24B							
☆	YSWT24B-32T	—	—	M32								
—	—	YSKT24B-25T	—	M25								
—	—	YSKT24B-32T	—	M32								
—	—	YSKT24B-25S	—	M25								
—	—	YSKT24B-32S	—	M32								
—	YSWT32B-32T	—	—	M32	32B							
—	YSWT32B-40T	—	—	M40								
—	YSWT32B-50T	—	—	M50								

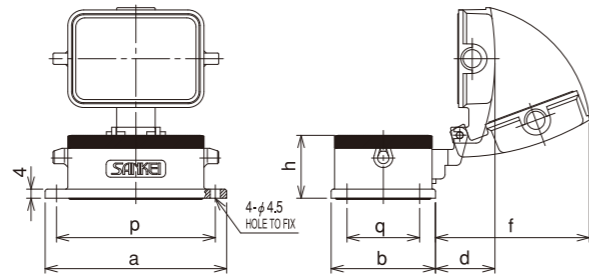
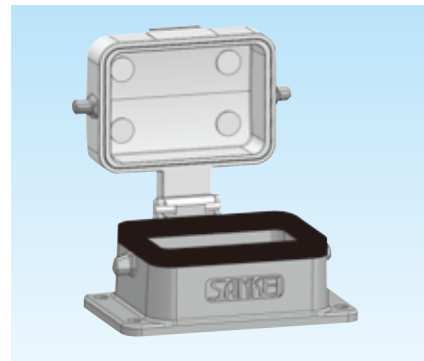
Contact us for information of product availability and delivery

HOUSING with AXES / PINS FOR LEVER STYLE B

MATERIAL	SURFACE FINISH	COLOR	ENVIRONMENT	TEMPERATURE RANGE
ADC12	Baking finish	Gray	RoHS	Lowest -20°C ~Highest 90°C

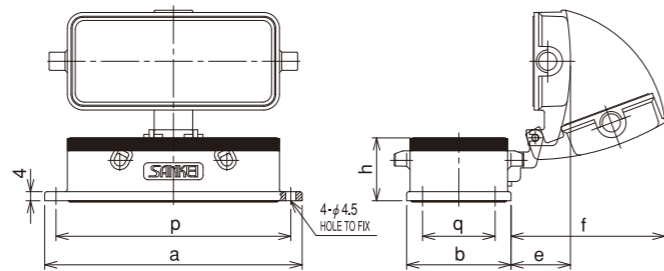
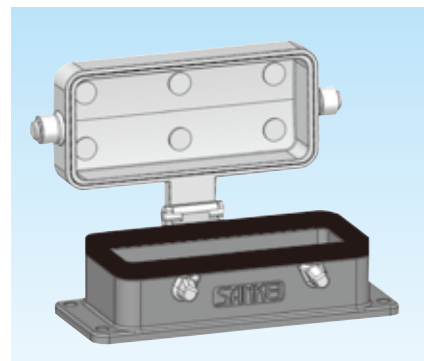
BULKHEAD MOUNTING

FOR 1 LEVER LOCKING SYSTEM



DELIVERY	ITEM NO.	PROTECTION COVER MATERIAL	CONNECTABLE SIZE	a	b	h	d	f	p	q	WEIGHT (g/PC)	Qty / Package
-	YSGS6B	ADC	6B									
-	YSGSP6B	PA	6B									

FOR 2 LEVER LOCKING SYSTEM

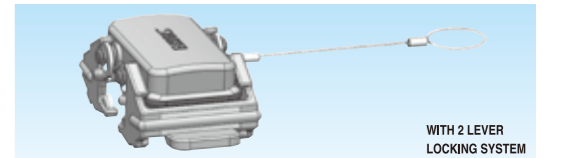
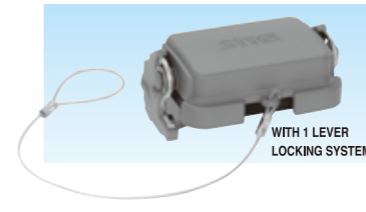


DELIVERY	ITEM NO.	PROTECTION COVER MATERIAL	CONNECTABLE SIZE	a	b	h	e	f	p	q	WEIGHT (g/PC)	Qty / Package
-	YSGT10B	ADC	10B									
-	YSGTP10B	PA										
-	YSGT16B	ADC	16B									
-	YSGTP16B	PA										
-	YSGT24B	ADC	24B									
-	YSGTP24B	PA										

PROTECTION COVER STYLE B

MATERIAL	SURFACE FINISH	COLOR	FEATURE	ENVIRONMENT	TEMPERATURE RANGE
ADC12	Baking finish	Gray	IP65	RoHS	Lowest -20°C ~Highest 90°C

FOR HOOD - with LEVER

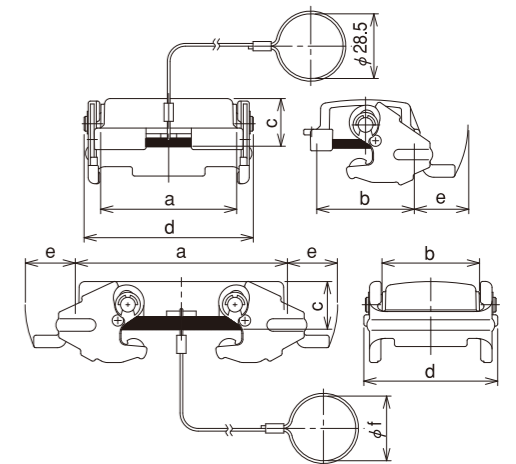


[1 LEVER LOCKING SYSTEM]

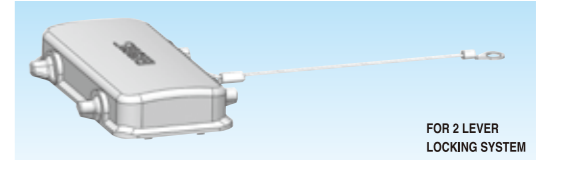
DELIVERY	ITEM NO.	PROTECTIN COVER MATERIAL	SIZE OF CONNECTABLE HOOD	a	b	c	d	e	WEIGHT (g/PC)	Qty / Package
◎	YSV3S 6B	ADC	6B	60	43	21	76	25	80	1
☆	YSV3SP6B	PA	6B							

[2 LEVER LOCKING SYSTEM]

DELIVERY	ITEM NO.	PROTECTIN COVER MATERIAL	SIZE OF CONNECTABLE HOOD	a	b	c	d	e	f	WEIGHT (g/PC)	Qty / Package
☆	YSV3T10B	ADC	10B								
☆	YSV3TP10B	PA	10B								
☆	YSV3T16B	ADC	16B								
☆	YSV3TP16B	PA	16B								
☆	YSV3T24B	ADC	24B								
☆	YSV3TP24B	PA	24B								



(with AXES / PINS FOR LEVER) FOR HOUSING

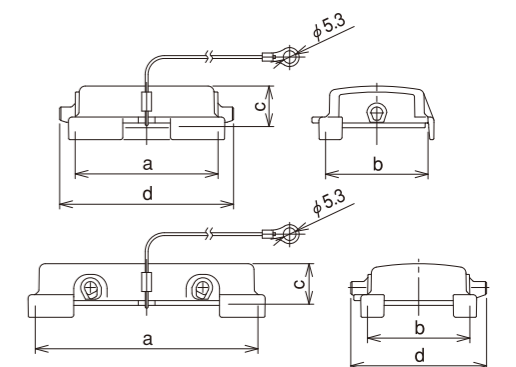


[FOR 1 LEVER LOCKING SYSTEM]

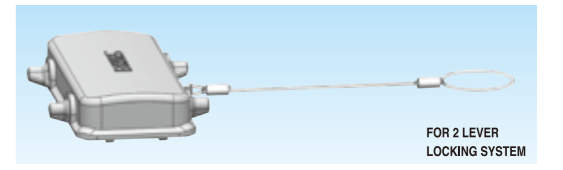
DELIVERY	ITEM NO.	PROTECTIN COVER MATERIAL	SIZE OF CONNECTABLE HOOD	a	b	c	d	e	WEIGHT (g/PC)	Qty / Package
◎	YSVS 6B	ADC	6B	60	43	18	73	-	40	1
☆	YSVSP6B	PA	6B							

[FOR 2 LEVER LOCKING SYSTEM]

DELIVERY	ITEM NO.	PROTECTIN COVER MATERIAL	SIZE OF CONNECTABLE HOOD	a	b	c	d	e	WEIGHT (g/PC)	Qty / Package
☆	YSVT10B	ADC	10B							
☆	YSVTP10B	PA	10B							
☆	YSVT16B	ADC	16B							
☆	YSVTP16B	PA	16B							
☆	YSVT24B	ADC	24B							
☆	YSVTP24B	PA	24B							



(with AXES / PINS FOR LEVER) FOR CABLE TO CABLE HOOD

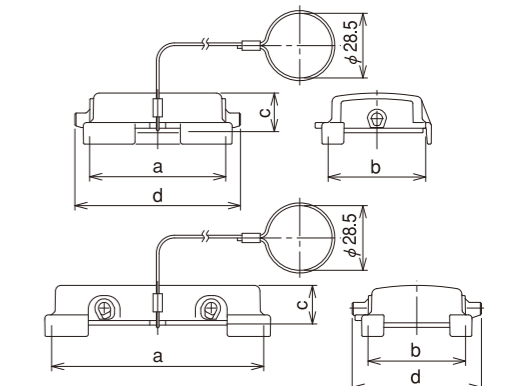


[FOR 1 LEVER LOCKING SYSTEM]

DELIVERY	ITEM NO.	PROTECTIN COVER MATERIAL	SIZE OF CONNECTABLE HOOD	a	b	c	d	e	WEIGHT (g/PC)	Qty / Package
◎	YSV2S 6B	ADC	6B	60	43	18	73	-	40	1
☆	YSV2SP6B	PA	6B							

[FOR 2 LEVER LOCKING SYSTEM]

DELIVERY	ITEM NO.	PROTECTIN COVER MATERIAL	SIZE OF CONNECTABLE HOOD	a	b	c	d	f	WEIGHT (g/PC)	Qty / Package
☆	YSV2T10B	ADC	10B							
☆	YSV2TP10B	PA	10B							
☆	YSV2T16B	ADC	16B							
☆	YSV2TP16B	PA	16B							
☆	YSV2T24B	ADC	24B							
☆	YSV2TP24B	PA	24B							

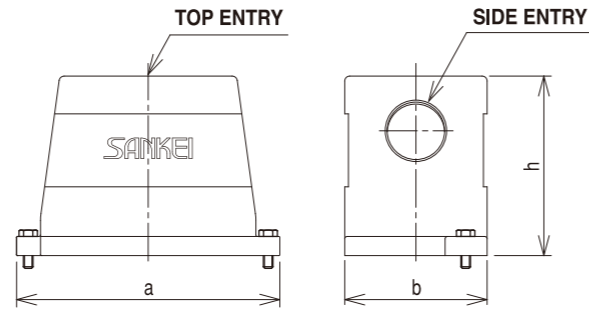


HOOD /HOUSING STYLE B – SPECIAL DESIGN

MAIN MATERIAL Similar to ADC 1	SURFACE FINISH Baking finish	COLOR Black	FEATURE IP68	ENVIRONMENT RoHS	TEMPERATURE RANGE Lowest -20°C ~Highest 90°C
-----------------------------------	---------------------------------	----------------	-----------------	---------------------	--

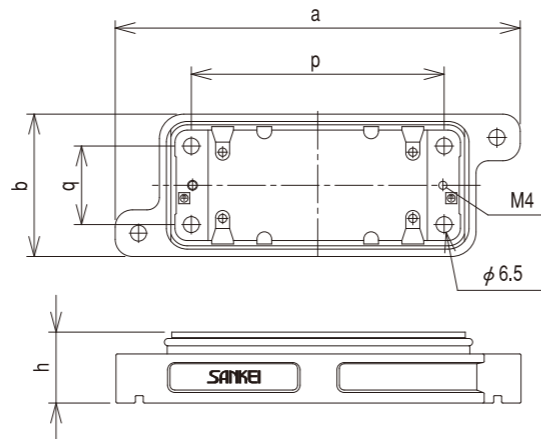
BOLT FIXED TYPE

HOOD



DELIVERY	ITEM NO.		ENTRY THREAD	SIZE OF CONNECTABLE INSERT	a	b	h	WEIGHT (g/PC)	Qty / Package
	TOP ENTRY	SIDE ENTRY							
—	YSDB 6B-20T	—	M20	6B					
—	YSDB 6B-25T	YSDB 6B-25S	M25						
—	YSDB 6B-32T	YSDB 6B-32S	M32						
—	YSDB 6B-40T	—	M40	10B					
—	YSDB10B-25T	YSDB10B-25S	M25						
—	YSDB10B-32T	YSDB10B-32S	M32						
—	YSDB16B-25T	—	M25	16B					
—	YSDB16B-32T	YSDB16B-32S	M32						
—	YSDB16B-40T	YSDB16B-40S	M40						
—	YSDB16B-50T	YSDB16B-50S	M50	24B					
—	YSDB24B-32T	YSDB24B-32S	M32						
—	YSDB24B-40T	YSDB24B-40S	M40						
—	YSDB24B-50T	YSDB24B-50S	M50						

HOUSING

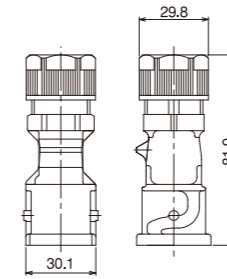
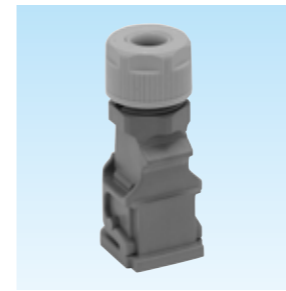


DELIVERY	ITEM NO.	SIZE OF CONNECTABLE INSERT, HOOD	a	b	h	p	q	PANEL CUT OUT	WEIGHT (g/PC)	Qty / Package
☉	YSHB 6B	6B	133	58	29	70	32	48×35		1
—	YSHB 10B	10B								
—	YSHB 16B	16B								
—	YSHB 24B	24B								

HOOD STYLE 3C

MAIN MATERIAL PA66	FLAMMABILITY UL94VO	FEATURE IPX7	TEMPERATURE RANGE Lowest -20°C ~Highest 90°C
-----------------------	------------------------	-----------------	--

PA

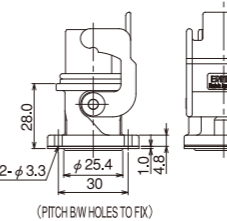


- Suitable for INSERT which is designed for AMP D-3 CONTACT
- With a cable gland (monobloc casting with MAIN BODY)
- INSERT can not be put inside HOOD from the cable gland side. Put it inside HOOD from the other side
- Make sure that LATCH gets in the right position
- MALE, or FEMALE INSERT of your choice is connectable
- Multi-opening packing can be used instead of mono-opening packing

DELIVERY	ITEM NO.	CONNECTABLE INSERT	CONNECTABLE HOOD, HOOD	Cable outside diameter to be inserted		WEIGHT (g/PC)	Qty / Package
				MAX.	MIN.		
☉	YTDP3C-E12	YTIM8DD YTIF8DD	YTHP3C YTWP3C-E12 YTZP3C-E12	12	8	30	5

HOUSING STYLE 3C

PA



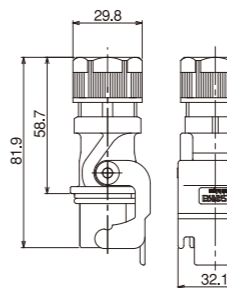
BULKHEAD MOUNTING

- Suitable for INSERT which is designed for AMP D-3 CONTACT
- Put INSERT inside HOOD from the panel side
- Make sure that LATCH gets in the right position
- MALE, or FEMALE INSERT of your choice is connectable

DELIVERY	ITEM NO.	CONNECTABLE INSERT	CONNECTABLE HOOD, PROTECTION COVER	KNOCKOUT DIA.	Cable outside diameter to be inserted		WEIGHT (g/PC)	Qty / Package
					MAX.	MIN.		
☉	YTHP3C	YTIM8DD YTIF8DD	YTDP3C-E12 YTVP3C	φ 26	12	8	27	5

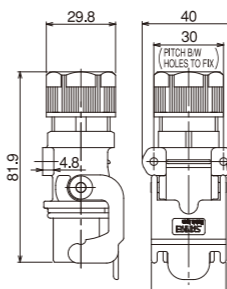
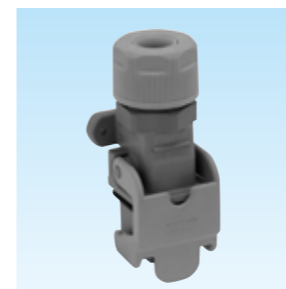
CABLE TO CABLE HOOD STYLE 3C (with LEVER, O-RING)

PA



- Suitable for INSERT which is designed for AMP D-3 CONTACT
- With a cable gland (monobloc casting with MAIN BODY)
- INSERT can not be put inside HOOD from the cable gland side. Put it inside HOOD from the other side
- Make sure that LATCH gets in the right position
- MALE, or FEMALE INSERT of your choice is connectable
- Multi-opening packing can be used instead of mono-opening packing

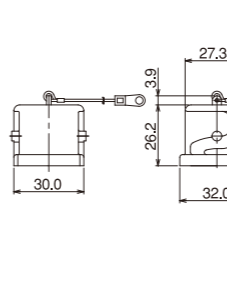
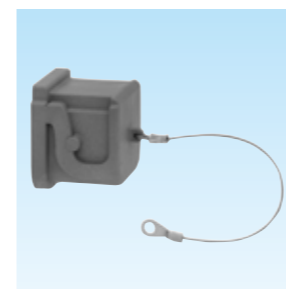
DELIVERY	ITEM NO.	CONNECTABLE INSERT	CONNECTABLE HOOD, PROTECTION COVER	Cable outside diameter to be inserted		WEIGHT (g/PC)	Qty / Package
				MAX.	MIN.		
☉	YTWP3C-E12	YTIM8DD YTIF8DD	YTDP3C-E12 YTVP3C	12	8	40	5



DELIVERY	ITEM NO.	CONNECTABLE INSERT	CONNECTABLE HOOD, PROTECTION COVER	Cable outside diameter to be inserted		WEIGHT (g/PC)	Qty / Package
				MAX.	MIN.		
☉	YTZP3C-E12	YTIM8DD YTIF8DD	YTDP3C-E12 YTVP3C	12	8	41	5

PROTECTION COVER STYLE 3C

PA



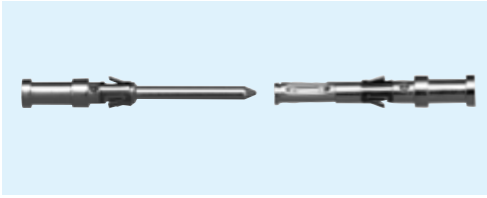
- Designed for HOOD HOUSING
- With LEVER, O-RING

DELIVERY	ITEM NO.	CONNECTABLE HOOD, HOUSING	WEIGHT (g/PC)	Qty / Package
☉	YTVP3C	YTHP3C YTWP3C-E12 YTZP3C-E12	10	5

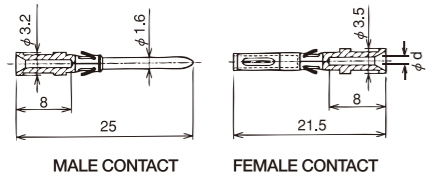
CONTACT

CONTACT

CC1.6 10A



- Crimp termination type
- MALE CONTACT Joint outer dia.: 1.6mm
- Rated current: 10A
- Main base material: Brass
- Base material for CONTACT SPRING of FEMALE CONTACT: BeCu (to improve smoothness of diagonal insertion of MALE CONTACT)
- Surface finish : Silver plated (for regular type)
- Advantage of unique CONTACT RETAINER: A wire insertion tool is not required. High tensile strength between CONTACT and INSERT. Loss of RETAINER can be prevented during transportation
- Item no. with 03 or 03AU (conductor nominal cross sectional area 0.14mm² ~ 0.37mm²) is Non-UL, CSA approved type
- Conductor Stripping length: 8mm

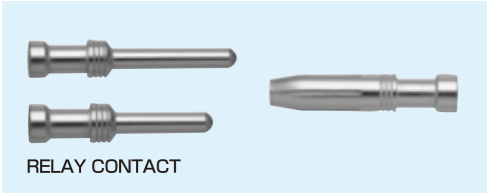


MALE CONTACT

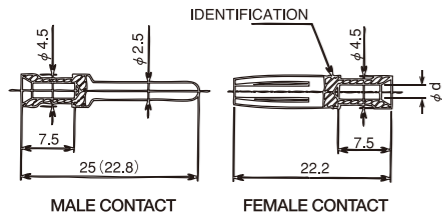
FEMALE CONTACT

DELIVERY	ITEM NO.				φd mm	DESIGNED FOR				INSERT	CRIMPING TOOL/ REMOVAL TOOL	WEIGHT(g/PC)		Qty / Package
	MALE CONTACT		FEMALE CONTACT			CONDUCTOR NOMINAL CROSS SECTIONAL AREA			CRIMPING TOOL/ REMOVAL TOOL			Male	Female	
	SILVER PLATED	GOLD PLATED	SILVER PLATED	GOLD PLATED		IEC(mm ²)	JIS(mm ²)	AWG						
○	YSCMD03	YSCMD03AU	YSCFD03	YSCFD03AU	0.9	0.14~0.37	0.2~0.3	24~22	YSI※ZD	YSTL 236,265	0.6	0.7	100	
○	YSCMD05	YSCMD05AU	YSCFD05	YSCFD05AU	1.1	0.5	0.5	20	YSI※ZD2		0.6	0.7		
○	YSCMD07	YSCMD07AU	YSCFD07	YSCFD07AU	1.3	0.75	0.75	18	YSI※D		0.6	0.7		
○	YSCMD10	YSCMD10AU	YSCFD10	YSCFD10AU	1.45	1.0	—	18	YSI※DD		0.6	0.7		
○	YSCMD15	YSCMD15AU	YSCFD15	YSCFD15AU	1.75	1.5	1.25	16	YSI※DDD		0.6	0.7		
○	YSCMD25	YSCMD25AU	YSCFD25	YSCFD25AU	2.25	2.5	2.0	14	YSI※MD		0.6	0.7		

CC2.5 16A



- Crimp termination type
- MALE CONTACT Joint outer dia.: 2.5mm
- Rated current: 16A
- Main base material: Brass
- Surface finish : Silver plated (for regular type)
- Conductor stripping length: 7.5mm
- MALE CONTACT OF RELAY CONTACT: The whole length 22.8mm



MALE CONTACT

FEMALE CONTACT

DELIVERY	ITEM NO.				φd mm	IDENTIFICATION	DESIGNED FOR				INSERT	CRIMPING TOOL/ REMOVAL TOOL	WEIGHT(g/PC)		Qty / Package
	MALE CONTACT		FEMALE CONTACT				CONDUCTOR NOMINAL CROSS SECTIONAL AREA			CRIMPING TOOL/ REMOVAL TOOL			Male	Female	
	SILVER PLATED	GOLD PLATED	SILVER PLATED	GOLD PLATED			IEC(mm ²)	JIS(mm ²)	AWG						
○	YSCME05	YSCME05AU	YSCFE05	YSCFE05AU	1.1	No groove	0.5	0.5	20	YSTL 238,265	1.3	1.5	100		
○	YSCME07	YSCME07AU	YSCFE07	YSCFE07AU	1.3	1 groove	0.75	0.75	18		YSI※ZE	1.3		1.5	
○	YSCME10	YSCME10AU	YSCFE10	YSCFE10AU	1.45	1 groove	1.0	—	18		YSI※E	1.3		1.5	
○	YSCME15	YSCME15AU	YSCFE15	YSCFE15AU	1.8	2 groove	1.5	1.25	16		YSI※EE	1.3		1.5	
○	YSCME25	YSCME25AU	YSCFE25	YSCFE25AU	2.2	3 groove	2.5	2.0	14		YSI※HE	1.3		1.5	
○	YSCME30	YSCME30AU	YSCFE30	YSCFE30AU	2.55	1 wide groove	—	—	12		YSI※MEE	1.3		1.5	
○	YSCME40	YSCME40AU	YSCFE40	YSCFE40AU	2.85	No groove	4.0	3.5	12	YSTL 244	1.3	1.5			

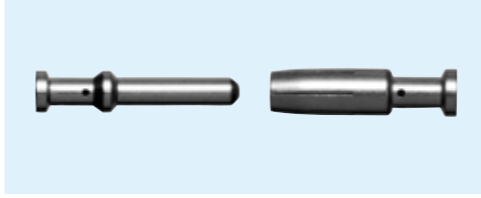
[RELAY CONTACT]

DELIVERY	ITEM NO.		φd mm	IDENTIFICATION	DESIGNED FOR			WEIGHT (g/PC)	Qty / Package
	MALE CONTACT				CONDUCTOR NOMINAL CROSS SECTIONAL AREA		INSERT		
	SILVER PLATED				IEC(mm ²)	AWG			
○	YSCM2E10		1.45	1	0.75~1.0	# 18	YSI※E	1.2	100
○	YSCM2E15		1.8	2	1.5	# 16	YSI※EE	1.2	
○	YSCM2E25		2.2	3	2.5	# 14	YSI※HE	1.2	

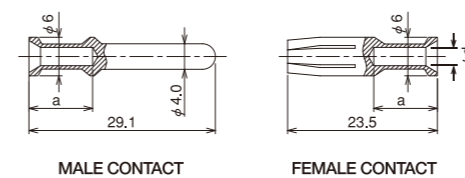
CONTACT

CONTACT

CC4.0 40A



- Crimp termination type
- MALE CONTACT Joint outer dia.: 4.0mm
- Rated current: 40A
- Main base material: Brass
- Surface finish : Silver plated (for regular type)
- Conductor stripping length: 9mm, 9.6mm, 15mm

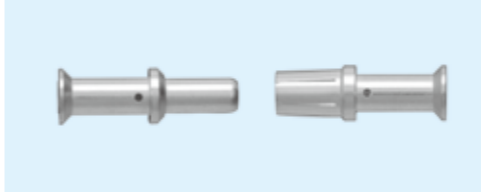


MALE CONTACT

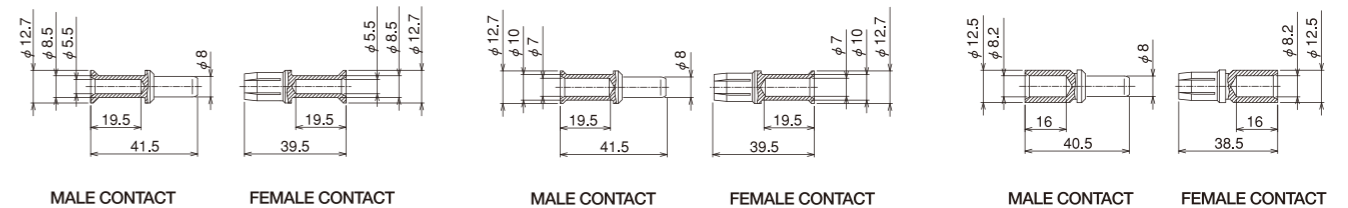
FEMALE CONTACT

DELIVERY	ITEM NO.		φd mm	DESIGNED FOR				CRIMPING TOOL/ REMOVAL TOOL	STRIPPING LENGTH mm	WEIGHT(g/PC)		Qty / Package		
	MALE CONTACT			FEMALE CONTACT		CONDUCTOR NOMINAL CROSS SECTIONAL AREA				CRIMPING TOOL/ REMOVAL TOOL	Male		Female	
	SILVER PLATED			SILVER PLATED		IEC(mm ²)	JIS(mm ²)							AWG
○	YSCMC15		1.75	1.5	1.25	16	YSTL 265,267	9	3.0	2.7	50			
○	YSCMC25		2.25	2.5	2.0	14		9	3.0	2.7				
○	YSCMC40		2.85	4.0	3.5	12		9.6	3.0	2.7				
○	YSCMC60		3.5	6.0	5.5	10		9.6	3.2	2.8				
○	YSCMC100		4.3	10.0	8.0	8		15						
○														

CC8.0 100A



- Crimp termination type
- MALE CONTACT Joint outer dia.: 8mm
- Rated current: 100A
- Conductor stripping length: 19mm, 16mm



MALE CONTACT

FEMALE CONTACT

MALE CONTACT

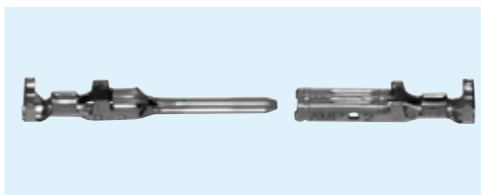
FEMALE CONTACT

MALE CONTACT

FEMALE CONTACT

DELIVERY	ITEM NO.		STRIPPING LENGTH mm	DESIGNED FOR			CRIMPING TOOL/ REMOVAL TOOL	WEIGHT(g/PC)		Qty / Package		
	MALE CONTACT			FEMALE CONTACT		CONDUCTOR NOMINAL CROSS SECTIONAL AREA		CRIMPING TOOL/ REMOVAL TOOL	Male		Female	
	SILVER PLATED			SILVER PLATED		mm ²						AWG
—	YSCMH160		19	16	6	YSI※MHH	YSTL 274 YSTL 269					
—	YSCMH250		19	25	4							
—	YSCMH350		16	35	2							
—												

D-2 · D-3 · D-5

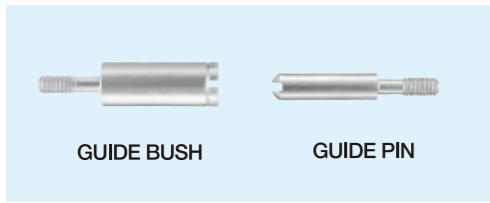


- Our YT INSERT and CONNECTOR matches with Tyco Electronics AMP K.K crimp contacts D-2, D-3, D-5
- Contact us for more information

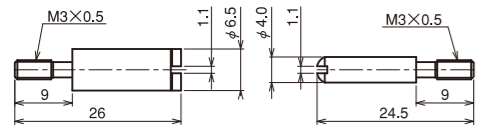
ACCESSORIES

GUIDE PIN/GUIDE BUSH - FOR 16 INSERTION ARRANGEMENT

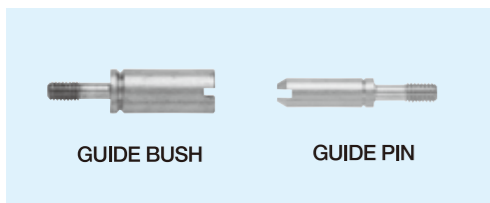
FOR INSERT (REGULAR TYPE)



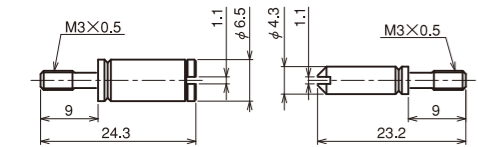
- Useful in order to avoid wrong insertion of connector
- Put GUIDE PIN, GUIDE BUSH into openings in stead of M3 screws, which are normally used to fix INSERT, MODULE FLAME to HOOD, HOUSING
- Max. 16 different ways of GUIDE PIN, GUIDE BUSH insertion arrangement are possible



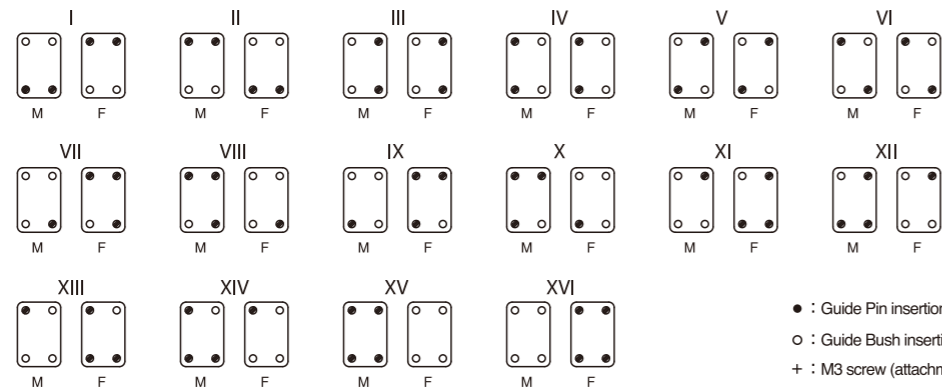
FOR MODULE INSERT



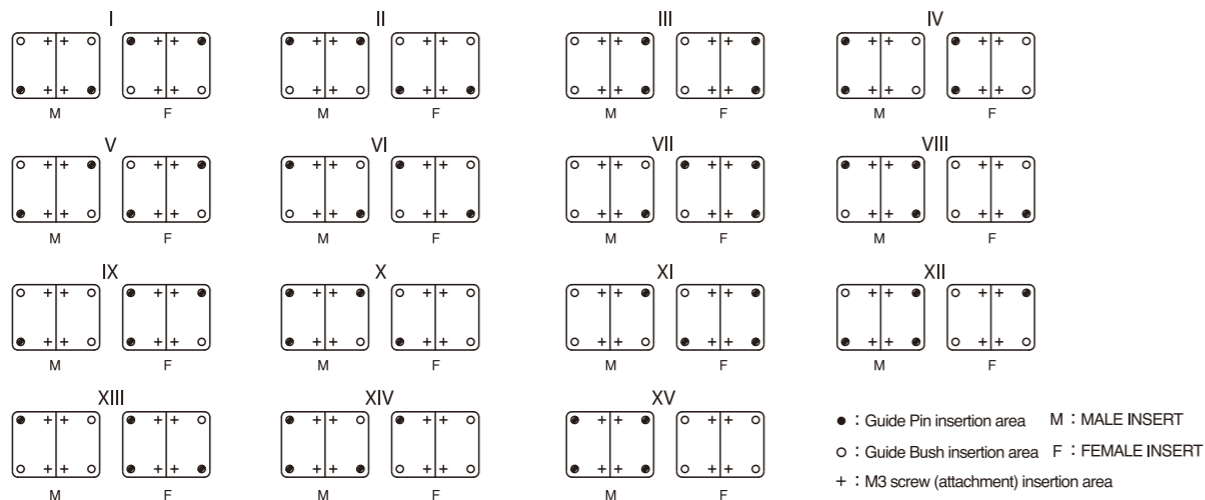
DELIVERY	ITEM	ITEM NO.	MATERIAL	CONNECTABLE INSERT	WEIGHT (g/PC)	Qty / Package
○	GUIDE PIN	SCPA448	METALLIC	INSERT (REGULAR TYPE)	2	20
○	GUIDE BUSH	SCPA449	METALLIC		3	20
☆	GUIDE PIN	SCPA510	SUS			
☆	GUIDE BUSH	SCPA511	SUS			
○	GUIDE PIN	SCPA508	METALLIC	MODULE INSERT	2	20
○	GUIDE BUSH	SCPA509	METALLIC		3	20



GUIDE PIN, GUIDE BUSH INSERTION ARRANGEMENT FOR 1 INSERT OR 1 MODULE FLAME



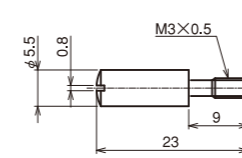
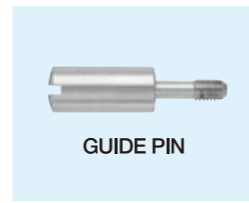
GUIDE PIN, GUIDE BUSH INSERTION ARRANGEMENT FORDOUBLE INSERTS OR DOUBLE MODULE FLAMES



ACCESSORIES

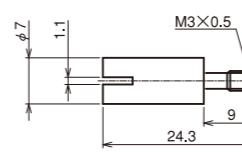
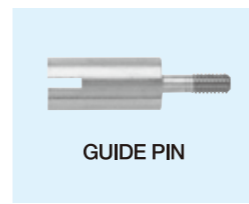
GUIDE PIN - FOR 6 INSERTION ARRANGEMENT

FOR INSERT (REGULAR TYPE)



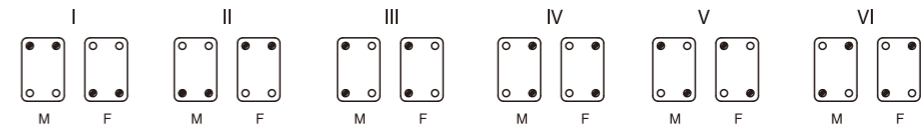
- Useful in order to avoid wrong insertion of connector
- Put GUIDE PIN into openings in stead of M3 screws, which are normally used to fix INSERT, MODULE FLAME to HOOD, HOUSING
- Max. 6 different ways of GUIDE PIN insertion arrangement are possible

FOR MODULE INSERT

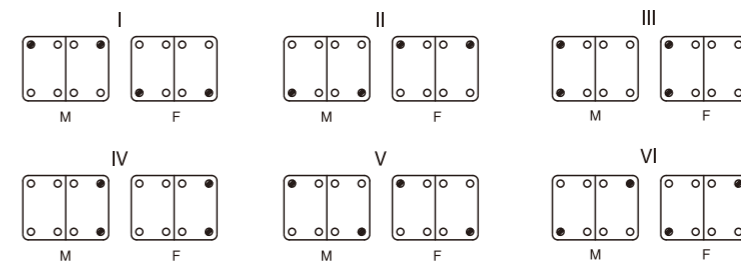


DELIVERY	ITEM	ITEM NO.	MATERIAL	CONNECTABLE INSERT	WEIGHT (g/PC)	Qty / Package
○	GUIDE PIN	SCPA454	METALLIC	INSERT (REGULAR TYPE)	3	20
○	GUIDE PIN	SCPA455	SUS		3.5	20
○	GUIDE PIN	SCPA507	METALLIC	MODULE INSERT	3	20

GUIDE PIN INSERTION ARRANGEMENT FOR 1 INSERT OR 1 MODULE FLAME



GUIDE PIN INSERTION ARRANGEMENT FORDOUBLE INSERTS OR DOUBLE MODULE FLAMES

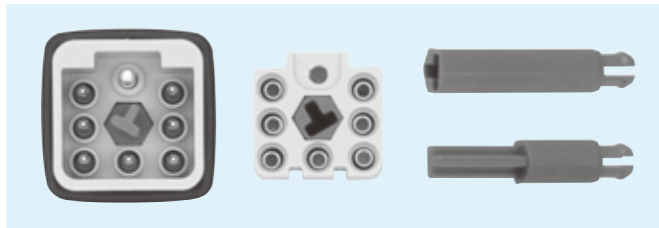


- : Guide Pin insertion area
- : M3 screw (attachment) insertion area
- M : MALE INSERT
- F : FEMALE INSERT

ACCESSORIES

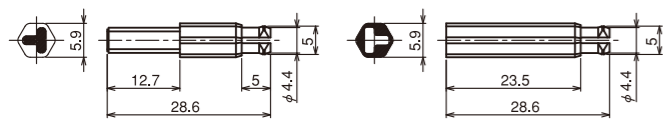
CODING PIN

FOR 7ZD2



- Designed for MALE INSERT and FEMALE INSERT 7ZD2 SERIES
- Match up T-shaped part and groove
- Max. 6 different ways of CODING PIN insertion arrangement are possible

DELIVERY	ITEM NO.	MATERIAL	CONNECTABLE INSERT	WEIGHT (g/PC)	Qty / Package
☉	SCPA517	PC	YSIM7ZD2	0.6	10
☉	SCPA518	PC	YSIF7ZD2	0.6	10



FOR MALE INSERT

FOR FEMALE INSERT

CODING PIN

FOR ZD、D、DD



- Designed for FEMALE INSERT ZD/D/DD SERIES
- Non-metallic
- Useful in order to avoid wrong insertion of connector
- No MALE CONTACT shall be positioned into openings of MALE INSERT facing openings of FEMALE INSERT into which CODING PINs are positioned

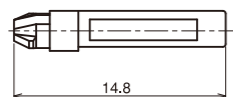
DELIVERY	ITEM NO.	MATERIAL	CONNECTABLE INSERT	WEIGHT (g/PC)	Qty / Package
☉	SCPA450	PC	ZD/D/DD	0.3	10

FOR 12ZDD



- Designed for MALE INSERT and FEMALE INSERT 12ZDD SERIES
- Put two (2) pieces of CODING PINs inside each of the INSERTs
- Match up triangle-shaped part
- Max. 16 different ways of CODING PIN insertion arrangement are possible

DELIVERY	ITEM NO.	MATERIAL	CONNECTABLE INSERT	WEIGHT (g/20PCS)	Qty / Package
☉	SCPA504	PC	YSIM/F12ZDD	3	20

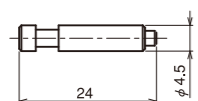


FOR 5ZE、E、EE、ME、MEE



- Designed for FEMALE INSERT ZE, E, EE SERIES
- Non-metallic
- Useful in order to avoid wrong insertion of connector
- No MALE CONTACT shall be positioned into openings of MALE INSERT facing openings of FEMALE INSERT into which CODING PINs are positioned

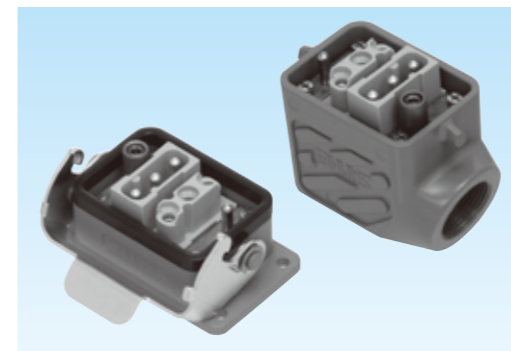
DELIVERY	ITEM NO.	MATERIAL	CONNECTABLE INSERT	WEIGHT (g/PC)	Qty / Package
☉	SCPA453	PC	5ZE、E、EE、ME、MEE	0.4	10



MAIN MATERIAL	MAIN MATERIAL	ENVIRONMENT
ZDC2	Brass	RoHS

MODULE FLAME

YSFD YSFH

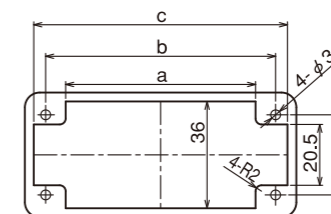


- Designed to combine multiple MODULE INSERT with STYLE B HOOD, HOUSING
- With EARTH CONTACT
- MALE INSERT, FEMALE INSERT can be connected to the same flame
- Delivered with BRACKET used to fix INSERT to MODULE FLAME
- GUIDE PIN SCPA454, SCPA455 can be used

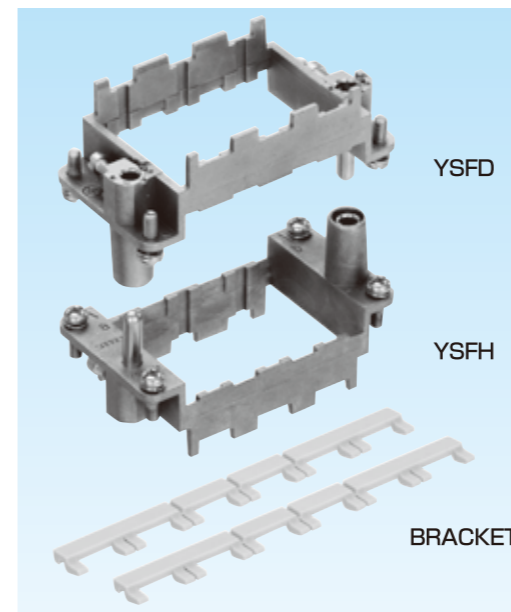
DELIVERY	ITEM NO.	CONNECTABLE HOOD, HOUSING	QTY OF CONNECTABLE MODULE INSERT (refer to NOTE-1)	FLAME inside size (longitudinal direction) mm	WEIGHT (g/PC)	Qty / Package
☉	YSFD6B	HOOD 6B	2	29.7	41	1
☉	YSFH6B	HOUSING 6B			41	1
☉	YSFD10B	HOOD 10B	3	44.4	44	1
☉	YSFH10B	HOUSING 10B			44	1
☉	YSFD16B	HOOD 16B	4	59.1	53	1
☉	YSFH16B	HOUSING 16B			53	1
☉	YSFD24B	HOOD 24B	6	88.5	58	1
☉	YSFH24B	HOUSING 24B			58	1

NOTE-1) The column of QTY OF CONNECTABLE MODULE INSERT in the chart shows qty of connectable 14.4mm wide MODULE INSERT. 29.4mm wide MODULE INSERT requires 2 times as large space of MODULE FLAME as 14.4mm wide MODULE INSERT does

PANEL CUT OUT

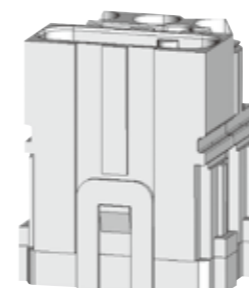
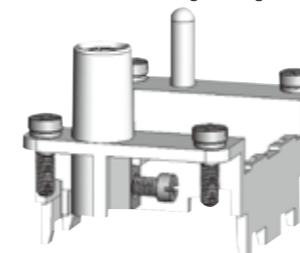


SIZE	a	b	c
6B	35	44	52
10B	49	57	66
16B	64	77.5	85.5
24B	94	104	112

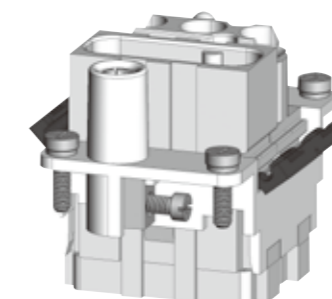


INSTRUCTION OF COMBINING

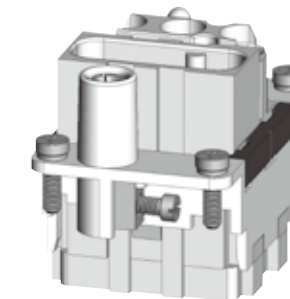
- (1) Choose appropriate size MODULE FLAME according to quantities of MODULE INSERT to be combined
- (2) Refer to DRAWING A, Pre-combine MALE MODULE INSERT with MODULE FLAME FOR HOOD and FEMALE MODULE INSERT with MODULE FLAME FOR HOUSING
- (3) Refer to DRAWING B, put BRACKET (cut in appropriate length) between INSERT and MODULE FLAME at 45 degree angle
- (4) Refer to DRAWING C, fix the BRACKET into an upright position
- (5) In order to disconnect MODULE FLAME, insert a screwdriver into a groove of the BRACKET and pull it down toward BRACKET side at 45 degree angle



DRAWING A



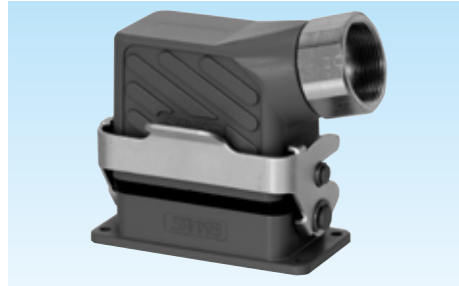
DRAWING B



DRAWING C

ACCESSORIES

Accessory



- With packing
- Surface finish: Electroplated zinc
- Refer to SANPARTS section for more information
- Available with 3 types:

Extension accessory with the same nominal size of external and internal thread.

Adapting fitting with the bigger nominal size of internal thread and the smaller nominal size of external thread.

Reducer with the smaller nominal size of internal thread and the bigger nominal size of external thread.

Extension accessory

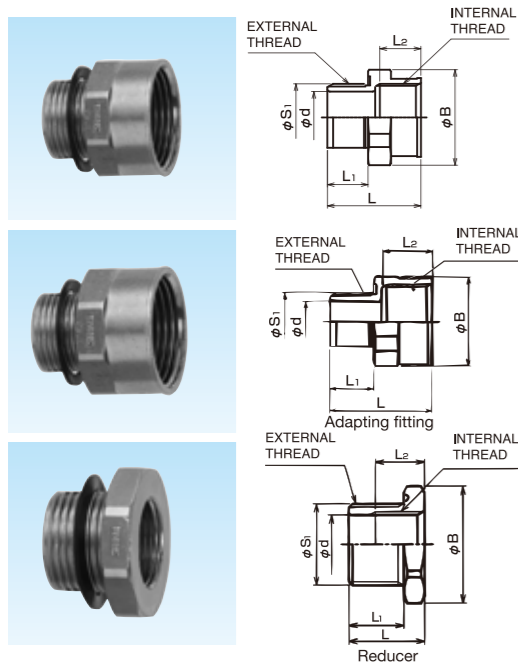
DELIVERY	ITEM NO.	INTERNAL THREAD JIS B 0207	φB	φd	L ₁	L ₂	L	THREAD JIS B 0207		WEIGHT (g/PC)	Qty / Package
								φS ₁	Nominal size		
5	RHM20	M20	27.6	15.1	8	12	22.3	20	M20		1
5	RHM25	M25	34.0	19.7	8	14	24.5	25	M25		1
5	RHM32	M32	42.5	26.7	8	16	26.5	32	M32		1
5	RHM40	M40	52.0	34.3	8	16	27.2	40	M40		1

Adapting fitting

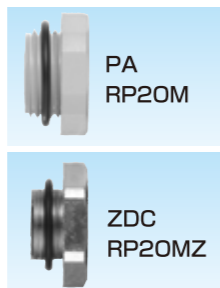
DELIVERY	ITEM NO.	INTERNAL THREAD JIS B 0207	φB	φd	L ₁	L ₂	L	THREAD JIS B 0207		WEIGHT (g/PC)	Qty / Package
								φS ₁	Nominal size		
○	RHM25 20	M25	30.3	15.1	8	14	24.8	20	M20		1
5	RHM32 25	M32	38.3	19.7	8	16	26.8	25	M25		1
5	RHM40 32	M40	46.8	26.7	8	16	26.8	32	M32		1

Reducer

DELIVERY	ITEM NO.	INTERNAL THREAD JIS B 0207	φB	φd	L ₁	L ₂	L	THREAD JIS B 0207		WEIGHT (g/PC)	Qty / Package
								φS ₁	Nominal size		
○	RRM25 20	M20	34.0	18.2	8	12	16.0	25	M25		1
5	RRM32 25	M25	42.5	23.6	8	14	18.0	32	M32		1
5	RRM40 32	M32	52.0	30.6	8	16	18.5	40	M40		1



PLUG FOR ENTRY



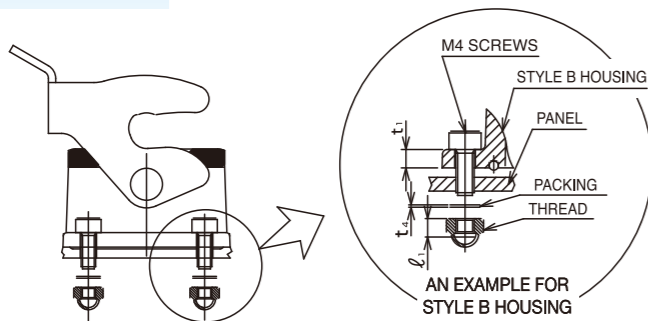
- Plug for ENTRY
- RP20M: Non-metallic
- RP20MZ: Metallic
- Refer to SANPARTS section for more information

PA
RP20MZDC
RP20MZ

SHEET PACKING, NUT



DELIVERY	ITEM NO.	CONNECTABLE HOUSING STYLE	THREAD	t ₁	t ₂	t ₄	ℓ ₁	Qty / Package
○	SCPA500	STYLE A	M3	2.2	1	0.5	3	2
○	SCPA499	STYLE B	M4	4	—	0.5	4	4

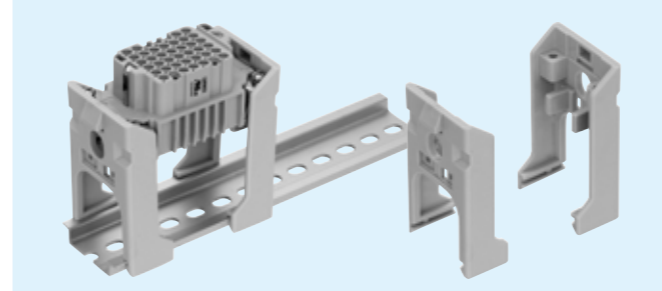


- Sheet packing & nut (SCPA499, SCPA500) shall be used to connect HOUSING to a panel when water resistance is required
- Choose appropriate bolts to connect HOUSING to a panel. Bolts shall be in appropriate length suitable for the wall thickness of HOUSING and a panel

ACCESSORIES

INSERT HOLDER

FEMALE INSERT HOLDER

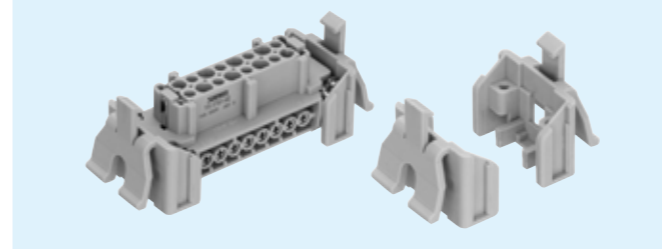


- Designed to be connected to DIN rail and to hold STYLE B FEMALE INSERT
- ADAPTER FOR A STYLE INSERT is also required when STYLE A INSERT (except STYLE 3A) shall be held

DELIVERY	ITEM NO.	MATERIAL	CONNECTABLE INSERT	WEIGHT (g/PC)	Qty / Package
○	SCPA513	PC	INSERT STYLE A,B (MODULE INSERT)	10	2

Connectable DIN rail : DIN EN 60715、35×7.5、35×15
JIS C 2812、TH35×7.5、TH35×15

MALE INSERT HOLDER

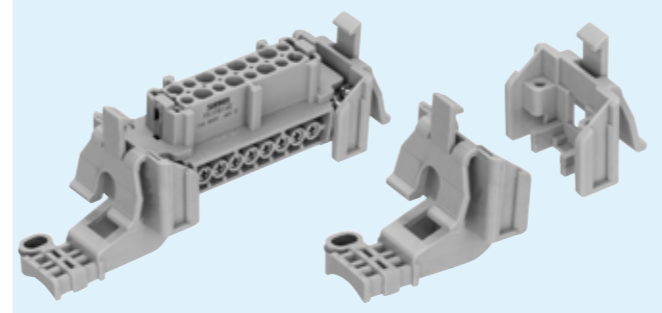


- Designed for STYLE B MALE INSERT
- Can be connected to FEMALE INSERT
- With LATCH

- ADAPTER FOR A STYLE INSERT is also required when STYLE A INSERT (except STYLE 3A) shall be held

DELIVERY	ITEM NO.	MATERIAL	CONNECTABLE INSERT	WEIGHT (g/PC)	Qty / Package
○	SCPA514	PC	INSERT STYLE A,B (MODULE INSERT)	9	2

MALE INSERT HOLDER (WITH SUPPORT PART FOR CABLES)

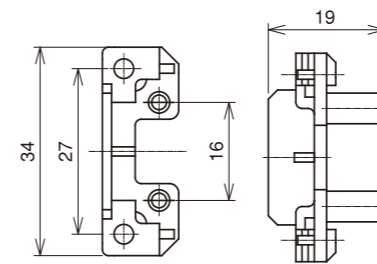


- Designed for STYLE B MALE INSERT
- Can be connected to FEMALE INSERT attached on DIN rail
- With LATCH
- With support part for cables

- ADAPTER FOR A STYLE INSERT is also required when STYLE A INSERT (except STYLE 3A) shall be held

DELIVERY	ITEM NO.	MATERIAL	CONNECTABLE INSERT	WEIGHT (g/PC)	Qty / Package
○	SCPA515	PC	INSERT STYLE A,B (MODULE INSERT)	14.5	2

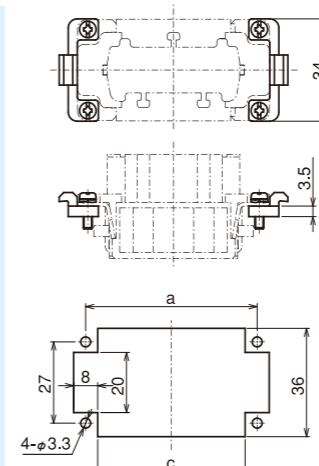
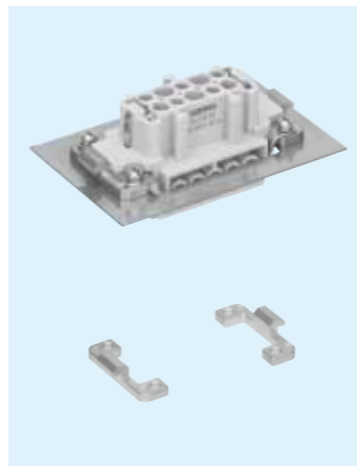
ADAPTER FOR A STYLE INSERT



- Designed to hold STYLE A INSERT

DELIVERY	ITEM NO.	MATERIAL	CONNECTABLE INSERT	WEIGHT (g/PC)	Qty / Package
☆	SCPA519	PC	INSERT STYLE A		

METAL FITTING FOR PANEL MOUNTING



- To be used with SCPA514, SCPA515

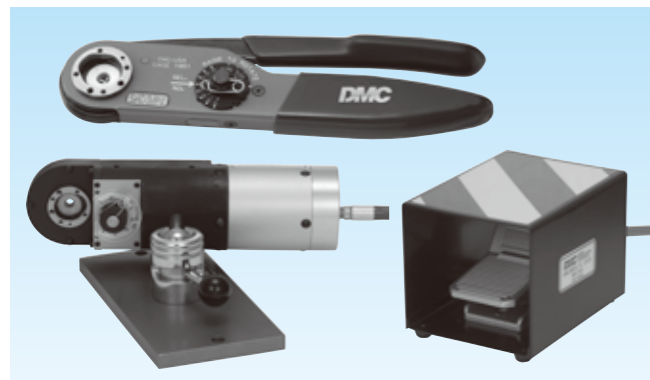
DELIVERY	ITEM NO.	MATERIAL	CONNECTABLE INSERT	WEIGHT (g/PC)	Qty / Package
○	SCPA531	ZDC2	INSERT STYLE A,B (MODULE INSERT)	10	2

SIZE	a	c
6B	44	36
10B	57	49
16B	77.5	69.5
24B	104	96

Contact us for information of product availability and delivery

TOOL

CRIMP TOOL - FOR CC1.6, CC2.5



- Available with 2 types: Hand-powered type / Semi-automatic type
- DMC (AF8) Standard Adjustable Crimp Tool
- The tool has a Double action ratchet. Note the tool cannot be opened without completing crimping.
- Need to be connected to Turret Head (Turret Head is Separately available)
- Contact us for more information

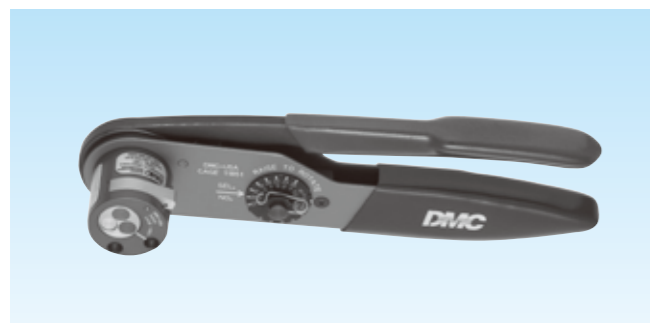
[HAND-POWERED]

DELIVERY	ITEM NO.	CONTACT TO BE CRIMPED	CONNECTABLE TURRET HEAD	WEIGHT (g/PC)	Qty / Package
☉	YSTL234	CC1.6 CC2.5	YSTL235 / 237	513	1

[SEMI-AUTOMATIC]

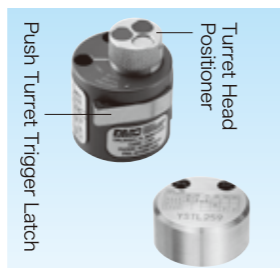
DELIVERY	ITEM NO.	CONTACT TO BE CRIMPED	CONNECTABLE TURRET HEAD	WEIGHT (g/PC)	Qty / Package
☉	YSTL250	CC1.6 CC2.5	YSTL235 / 237	6500	1

CRIMP TOOL WITH TURRET HEAD - FOR CC1.6, CC2.5



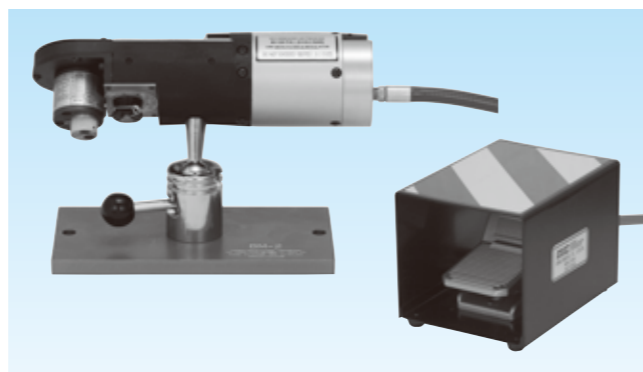
- DMC Crimp tool with Turret head
- To be used for Contact CC1.6 and for Contact CC 2.5 (Item no. YSCMD, YSCFD, YSCME, YSCFE)
- Crimping preparation instruction
 - Select Turret Head Positioner's position which corresponds with Male Contact or Female Contact to be crimped
 - Rotate Selector Knob until it matches with No.4 and then see if the opening between indenter tips is appropriate by using a gauge (Type YSTL240)
 - Refer to the data information on Turret Head. From proper wire size column, determine the selector number that corresponds with the contact being used. Rotate Selector Knob until it matches with the selector number.
 - Insert Contact into the Indenter opening of Crimp tool
 - Prepare Wire with Wire Stripping Length 8mm for Contact CC1.6 (or 7.5mm for Contact CC2.5). Then Insert the prepared wire into the opening of contact
 - while holding the prepared wire to be appropriately positioned in the opening of contact, squeeze the handles together until the ratchet is released
- Contact us for more information

TURRET HEAD FOR CRIMP TOOL



- DMC Turret Head
- Available with type for Contact CC1.6 and for Contact CC 2.5
- Turret head for 12ZDD Earth Contact is also available
- Need to be connected to Crimp tool (Item no. YSTL234 / YSTL250)
- Make sure that Crimp tool is in the open position. Tighten 2 socket head screws (inch thread) in order to connect Turret Head to Crimp tool
- Make sure that Crimp tool is in the open position. Loosen 2 socket head screws (inch thread) in order to release Turret Head from Crimp tool
- Select Turret Head Positioner's position which corresponds with Contact to be crimped (Do it before pushing Turret Head Positioner: otherwise, it is locked)
- Push Turret Head Positioner until it snaps in the latched position before crimping work started (Crimping work shall be done while Turret Head Positioner is in the latched position)
- Push Turret Trigger Latch to release the selected position of Turret Head Positioner
- Contact us for more information

DELIVERY	ITEM NO.	CONTACT TO BE CRIMPED	WEIGHT (g/PC)	Qty / Package
☉	YSTL235	CC1.6	110	1
☉	YSTL237	CC2.5	107	1
☉	YSTL259	CC1.6 12ZDD EARTH CONTACT	47	1



[HAND-POWERED]

DELIVERY	ITEM NO.	CONTACT TO BE CRIMPED	COMBINATION	WEIGHT (g/PC)	Qty / Package
☉	YSTL236	CC1.6	CRIMP TOOL + TURRET HEAD YSTL234+YSTL235	623	1
☉	YSTL238	CC2.5	CRIMP TOOL + TURRET HEAD YSTL234+YSTL237	620	1
☉	YSTL268	CC1.6 EARTH CONTACT	CRIMP TOOL + TURRET HEAD YSTL234+YSTL259	560	1

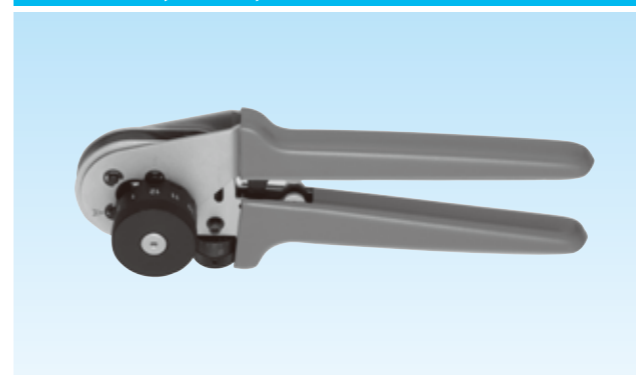
[SEMI-AUTOMATIC]

DELIVERY	ITEM NO.	CONTACT TO BE CRIMPED	COMBINATION	WEIGHT (g/PC)	Qty / Package
☉	YSTL261	CC1.6	CRIMP TOOL + TURRET HEAD YSTL250+YSTL235	6610	1
☉	YSTL262	CC2.5	CRIMP TOOL + TURRET HEAD YSTL250+YSTL237	6607	1

TOOL

CRIMPING TOOL

FOR CC1.6, CC2.5, CC4.0



DELIVERY	ITEM NO.	CONTACT TO BE CRIMPED	WEIGHT (g/PC)	Qty / Package
☉	YSTL265	CC1.6 CC2.5 (0.14~6.0mm ²) CC4.0	666	1
☉	YSTL268	CC4.0 (for 10mm ²)	663	1

- RENNSTEIG TOOLS, INC. Crimping tool
- To be used for Contact CC1.6, Contact CC 2.5, Contact 4.0
- Wire section: dimension from 0.14mm² (AWG26) ~ 6.0mm² (AWG10)
- The tool has a geared mechanism for controlling the complete crimping cycle. Note the tool cannot be opened without completing crimping
- With a positioning turret with 12 positions
- Crimping Instructions
 - Turn Adjustment Knob to adjust the crimping depth for 2.00mm. Have Fixed Handle close, and then see if the opening between indenter tips is appropriate by inserting a gauge (Type YSTL266) into the crimper entry hole
 - Refer to Chart 1-1, 1-2, 1-3, 2 and select the correct seat of Positioner (POS No.) to be suitable for Contact (CC1.6, CC2.5, CC4.0) to be crimped
 - Refer to Chart 1-1, 1-2, 1-3, 2 and select the crimping depth (SET). Turn Adjustment Knob until its selected number matches with the number on Scale
 - Insert Contact through the crimper entry hole on the opposite side of Positioner. Close the handles in the first stop position in order to prevent the contact coming out off the crimper and to facilitate fitting the conductor in the contact. The precision stop mechanism with teeth ensures consistently precise crimps, by forcing the crimper to close completely and finish the crimping cycle before the crimper can be re-opened
- Keep the crimping tool clean and store it correctly in a dry area when not in use. The joints need to be lubricated periodically, and the pin stop circular clips must always stay in position. This is a high precision crimping tool and must be used as such. Ask the company from which you purchased the tool for any repairs.

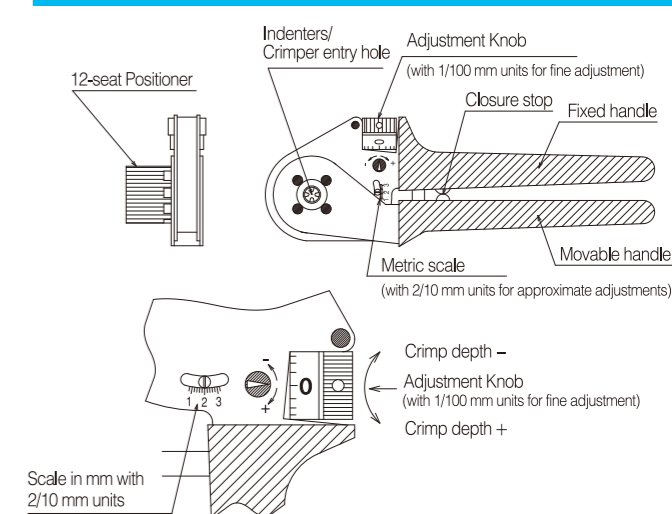
CHART-1-1 (YSTL265)

CC1.6 YSCMD※※/YSCFD※※	CORRECT SEAT OF POSITIONER	CRIMPING DEPTH (SET) mm
03	POS 1	1.3
05,07,10,15,25		1.55

CHART-1-2 (YSTL265)

CC2.5 YSCME※※/YSCFE※※	CORRECT SEAT OF POSITIONER	CRIMPING DEPTH (SET) mm
05,07,10	POS 2	1.55
1.5,2.5		1.8
4.0		2.0

CRIMP TOOL CONSTRUCTION



- Adjustment of crimp depth
Crimp depth to be adjusted as follows:
Adjustment Knob should be turned clockwise to reduce the crimping depth, and anti-clockwise to increase it.
- Adjustment tolerances:
 - 1 scale mark on the knob = adjustment of 1/100 mm (0.01 mm)
 - 1 complete rotation of knob = adjustment of 2/10 mm (0.2mm, this indication can be read on the knob and on the approximate scale)
 - 5 knob rotations = adjustment of 1.0 mm (This indication can be read on the scale)
- Calibration check
In order to ensure correct calibration, we advise you to check the tool with a gauge every working day
 - Turn Adjustment Knob to adjust the crimping depth for 2.00mm. Have Movable handle close
 - By inserting a gauge (Type YSTL266) into the crimper entry hole, see if the following situation can be seen.
 - " GO " - Insert the end of the gauge in order to see if the gauge pass freely b/w the indenter tips
 - " NO GO " - Insert the end of the gauge in order to see if the gauge should not pass through the opening

CHART-1-3 (YSTL265)

CC4.0 YSCMC※※/YSCFC※※	CORRECT SEAT OF POSITIONER	CRIMPING DEPTH (SET) mm
1.5	POS 3	1.55
2.5		1.8
4.0		2.0
6.0		2.5

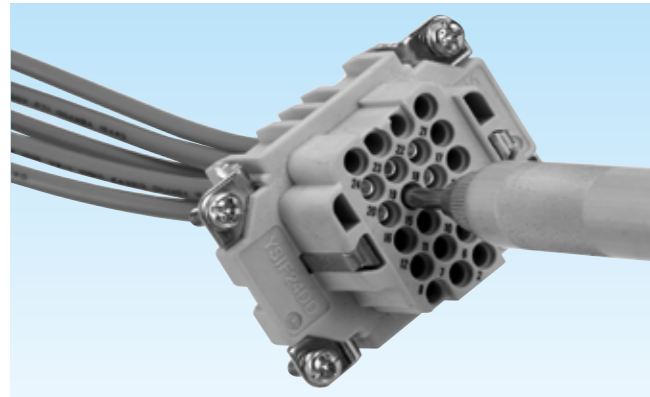
CHART-2 (YSTL267)

CC4.0 YSCMC100/YSCFC100	CORRECT SEAT OF POSITIONER	CRIMPING DEPTH (SET) mm
10.0	POS 3	2.75

TOOL

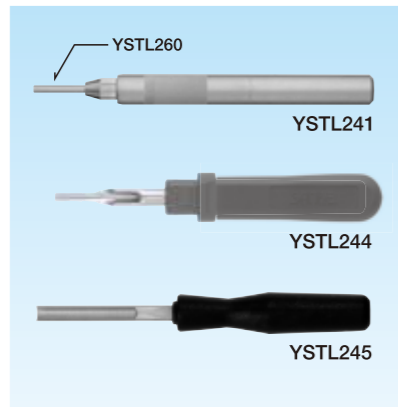
ENVIRONMENT
RoHS

REMOVAL TOOL

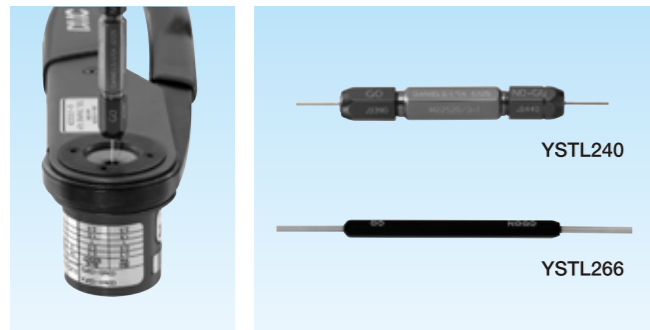


- Removal tool
- YSTL260 is a replacement-tip for removal tool
- 3 pieces of YSTL260 are to be delivered with 1 piece of YSTL241

DELIVERY	ITEM NO.	CONTACT TO BE CRIMPED	WEIGHT (g/PC)	Qty / Package
○	YSTL241	CC1.6	40	1
○	YSTL260 (TIP FOR REMOVAL TOOL)	CC1.6	0.5	1
○	YSTL244	CC2.5	27	1
○	YSTL245	CC4.0	25	1
☆	YSTL275	CC4.0 (for 10mm ²)		
☆	YSTL269	CC8.0		



GO / NO GO GAUGE FOR CRIMPING TOOL



- Go/No Go Gauge for Crimping tool
- Crimping tool shall be in the fully close position when gauging.
- Note: Do not crimp the gauge

DELIVERY	ITEM NO.	SUITABLE CRIMPING TOOL	DIMENSIONS (mm)		CRIMPING TOOL ADJUSTMENT FOR GAUGING	WEIGHT (g/PC)	Qty / Package
			GO dia	NO-GO dia			
○	YSTL240	YSTL234 YSTL250	0.99	1.117	SEL4	10	1
○	YSTL266	YSTL265 YSTL267	1.94	2.06	CRIMPING DEPTH 2mm	5	1

CRIMPING TOOL FOR FERRULE



- RENNSTEIG crimping tool
- For end sleeves (ferrules)
- Wire ranging from 0.08 up to 16 mm²
- Square crimp profile with four (4) serrated crimp surfaces conforming to DIN
- Pre-selection of the 2 crimping sizes by a change-over switch

DELIVERY	ITEM NO.	Suitable wire range	WEIGHT (g/PC)	Qty / Package
○	YSTL263	0.08~16mm ²	475	1

MACHINE

CRIMPING MACHINE



TECHNICAL CHARACTERISTICS	DATA
RATED VOLTAGE	AC100~240V
DIMENSIONS	本体W180×I 340×H301mm
WEIGHT	11kg
RANGE	max 6mm ²
MACHINE WORK CYCLE	1 sec.
OPTIONS	Adapter, Wire guide, Foot switch

問合せ先
 広栄商事株式会社
 TEL : 06-6494-1015
 FAX : 06-6494-6101

YST WIRING SYSTEM

Wiring system - without requirement for Hood, housing

1. Cost-effectiveness

· Unlike any other system, YST wiring system is to be installed inside wiring box, besides, this system does not require hood / housing. Therefore, by using YST wiring system, it would be possible to reduce cost.

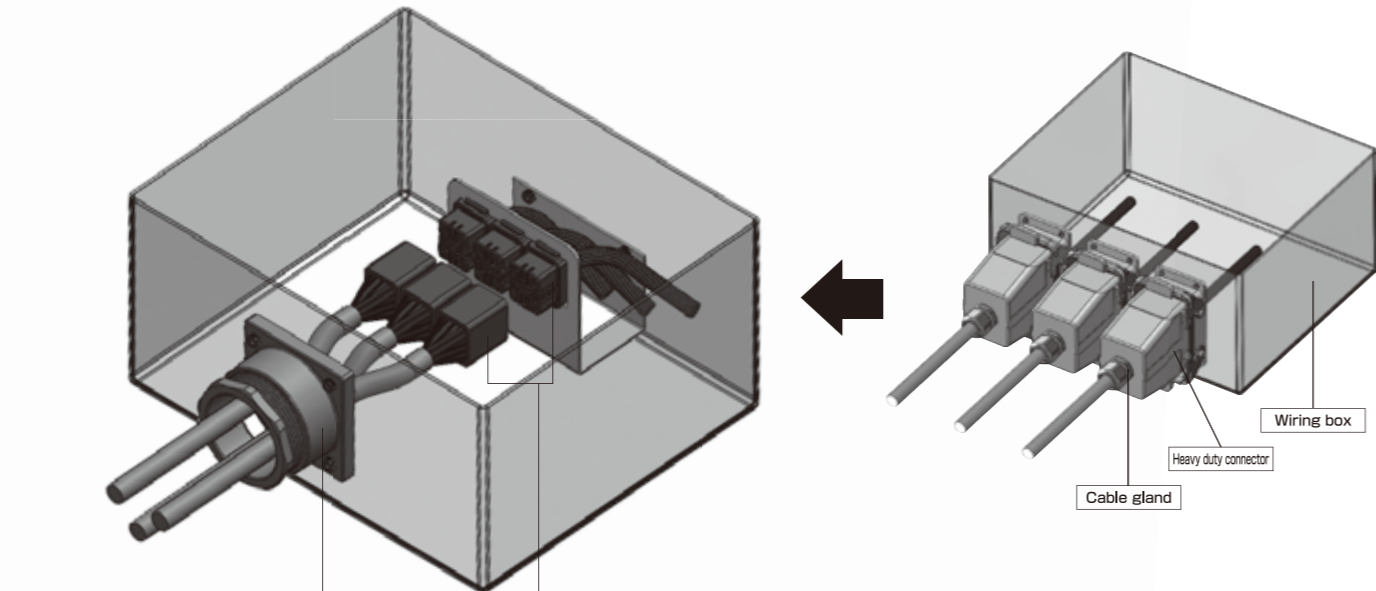
2. No special tool is required

· Due to the system require only regular CONTACT, no special tool is required for installation.

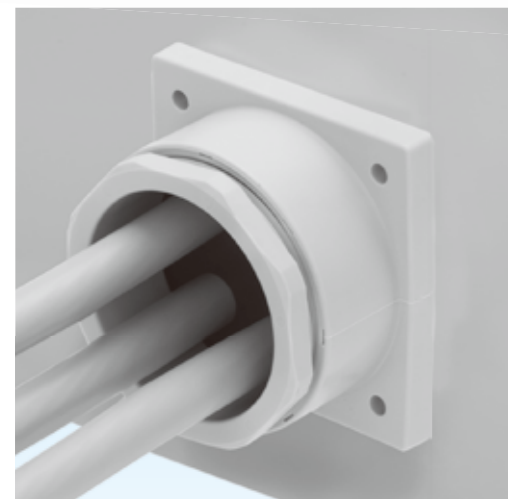
3. Possible to reduce workload

· Possible to bring each Contact connector through Straight cable gland with Flange. Therefore, installation can be done after wiring harnesses.

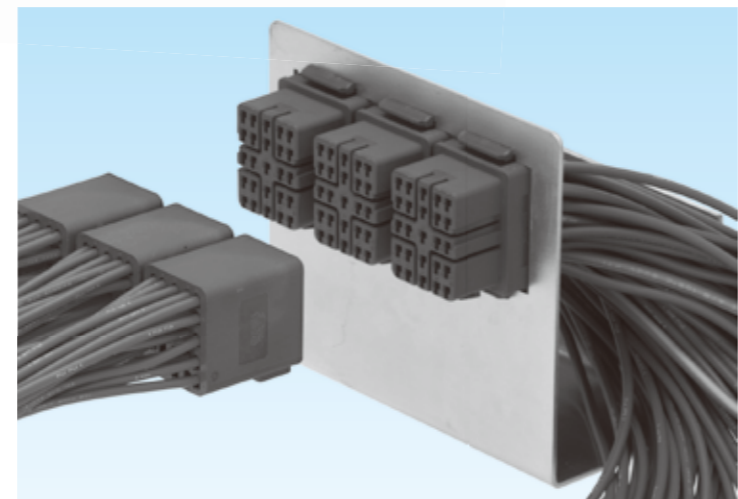
YST WIRING SYSTEM



Straight cable gland with flange for multiple cables



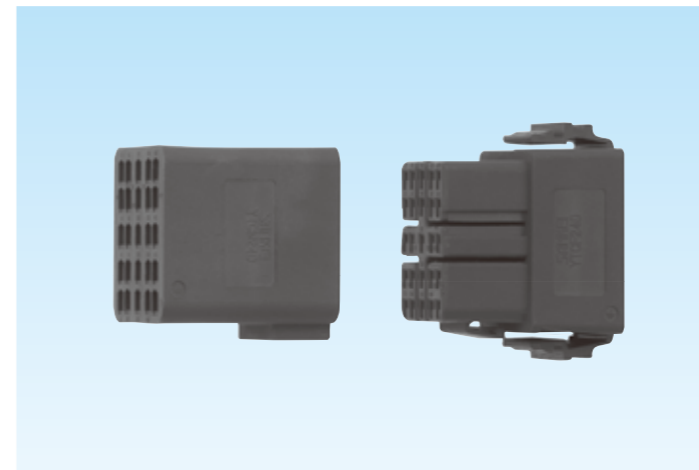
Contact connector



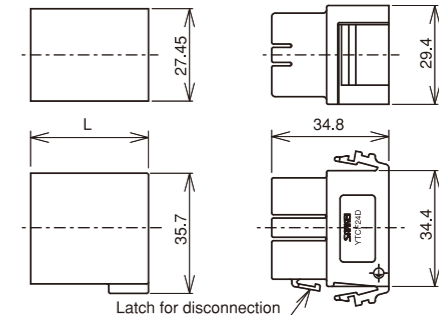
(SIGNAL CONTACT)
AMP
D-3 CONTACT
(POWER CONTACT)
AMP
D-5 CONTACT

MATERIAL	FEATURE	ENVIRONMENT	TEMPERATURE RANGE
PBT	Non-water resistance	RoHS	Lowest -55°C Highest 105°C

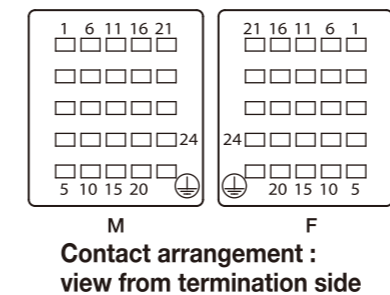
CONTACT CONNECTOR



- Contact connector
- To be used inside wiring boxes
- For assembly, match Tab contact connector and Rec. contact connector. Push the Tab contact connector until it clicks.
- For disconnection, disconnect Tab and Rec. contact connector while pressing the latch of the Rec. contact connector (refer to the drawing)



FOR SIGNAL CONTACT

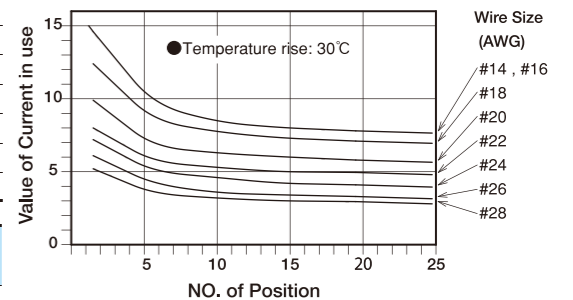


DATA

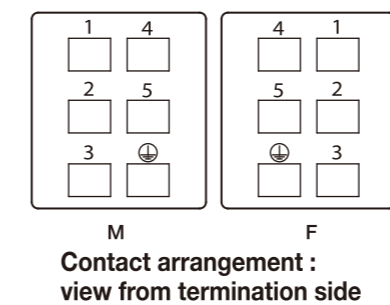
RATED CURRENT	15A (AWG16) when the number of contact is 1
RATED VOLTAGE	250V AC/DC
DIELECTRIC VOLTAGE-WITHSTAND	1500V AC (test duration of time 1 minute)
INSULATION RESISTANCE	100MΩ or more
CONTACT RESISTANCE	10mΩ or less
LIMITING TEMPERATURE	-55~+105°C
MATERIAL	PBT
CONTACT	AMP D-3
TERMINATION TYPE	Crimp termination type
CONDUCTOR NOMINAL CROSS SECTIONAL AREA	0.08~2.2mm ²

DELIVERY	ITEM NO.	MALE/FEMALE	NUMBER OF CONTACTS	COLOR	L	WEIGHT (g/package)	QTY/PACKAGE
○	YTCM24D	Male	24+⊕	Blue	35	21	1
○	YTCF24D	Female	24+⊕	Blue	35	23	1

Number of Position vs Current Curve (Reference)



FOR POWER CONTACT



DATA

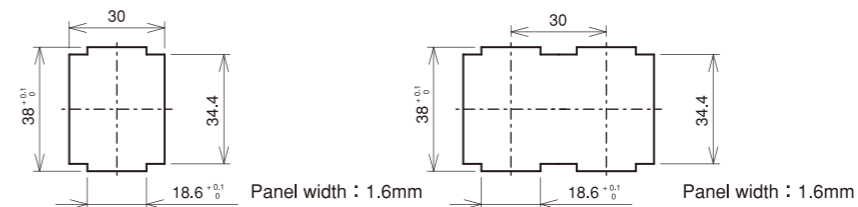
RATED CURRENT	16A (AWG16)
RATED VOLTAGE	630V AC/DC
DIELECTRIC VOLTAGE-WITHSTAND	3000V AC (test duration of time 1 minute)
INSULATION RESISTANCE	1000MΩ or more
CONTACT RESISTANCE	2mΩ or less
LIMITING TEMPERATURE	-55~+105°C
MATERIAL	PBT
CONTACT	AMP D-5
TERMINATION TYPE	Crimp termination type
CONDUCTOR NOMINAL CROSS SECTIONAL AREA	1.25~5.5mm ²

DELIVERY	ITEM NO.	MALE/FEMALE	NUMBER OF CONTACTS	COLOR	L	WEIGHT (g/package)	QTY/PACKAGE
○	YTCM5E	Male	5+⊕	Black	44	27	1
○	YTCF5E	Female	5+⊕	Black	44	27	1

CONDUCTOR NOMINAL CROSS SECTIONAL AREA & RATED CURRENT

CONDUCTOR	(AWG)			
	#16	#14	#12	#10
RATED CURRENT	16A	19A	25A	30A

PANEL CUT OUT



No. of Installation opening required: 1

No. of Installation opening required: 2

- Should more than one (1) Rec. contact connector be required to be attached to the front surface of the panel, make required installation openings side by side on the panel.

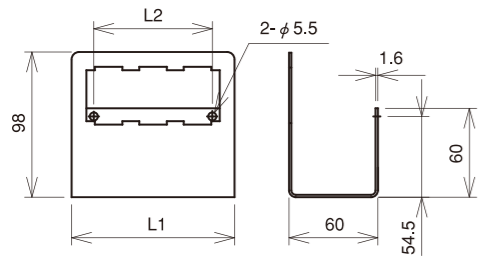
MATERIAL	SURFACE FINISH	ENVIRONMENT
Steel	Electroplated zinc	RoHS

EXCLUSIVE BRACKET FOR CONTACT CONNECTOR



- Exclusive bracket
- Designed for Contact connectors

DELIVERY	ITEM NO.	Qty of contact connector to be connected	L1	L2	WEIGHT (g/PC)	Qty / Package
☐	YTPA 1	1	50	20	118	1
☐	YTPA 2	2	80	50	185	1
☐	YTPA 3	3	110	80	252	1
☐	YTPA 4	4	140	110	319	1
☐	YTPA 5	5	170	140	381	1



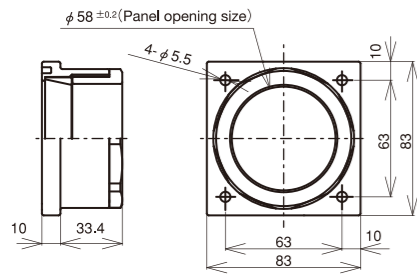
MAIN MATERIAL	FEATURE	FEATURE	FEATURE	ENVIRONMENT	ENVIRONMENT	FLAMMABILITY	TEMPERATURE RANGE
PA66	IP67	Oil resistance	Hold up to vibration	HALOGEN FREE	RoHS	UL94V2	Lowest -20°C ~Highest 90°C

STRAIGHT CABLE GLAND WITH FLANGE FOR MULTIPLE CABLE



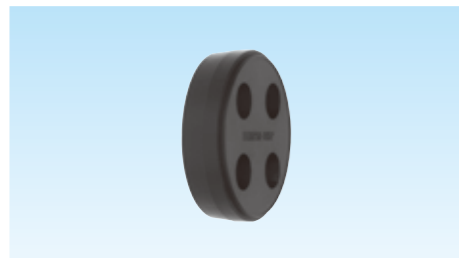
- Straight cable gland with flange for multiple cables
- To be connected to wiring boxes
- Unused openings of Multi - Opening Packing must be blocked with Plug EPU (Separately available)
- Note; Multi - Opening Packing is separately available.
- Color availability; Light Gray

DELIVERY	ITEM NO.	Selective Packing		WEIGHT (g/PC)	Qty / Package
		Packing number	Type		
○	EM3ZS58	58	EM3GP58	91	1



MAIN MATERIAL	FEATURE	ENVIRONMENT	TEMPERATURE RANGE
NBR	IP67	RoHS	Lowest -20°C ~Highest 90°C

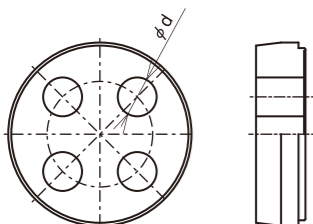
MULTI OPENING PACKING

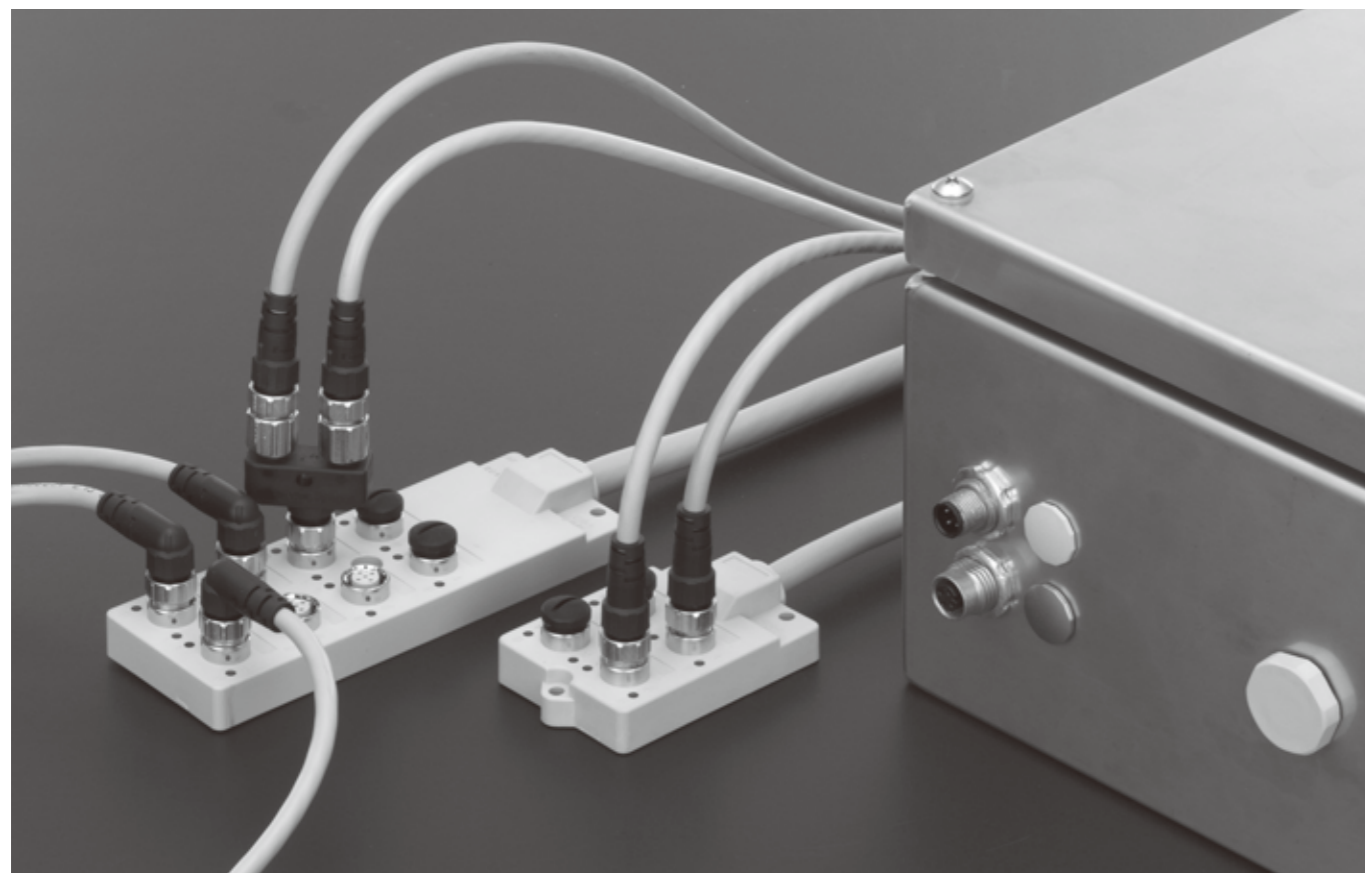


- Multi - Opening Packing
- Unused openings of Multi - Opening Packing must be blocked with Plug EPU (Separately available)

DELIVERY	ITEM NO.	Cable outside diameter to be inserted ※ φ d	Connectable cable gland	WEIGHT (g/PC)	Qty / Package
○	EM3GP58-14x4P	φ 14	EM3ZS58	55	1
○	EM3GP58-16.5x4P	φ 16.5		55	1

· Cable outside diameter range to be inserted = φ d ~ φ d - 1mm

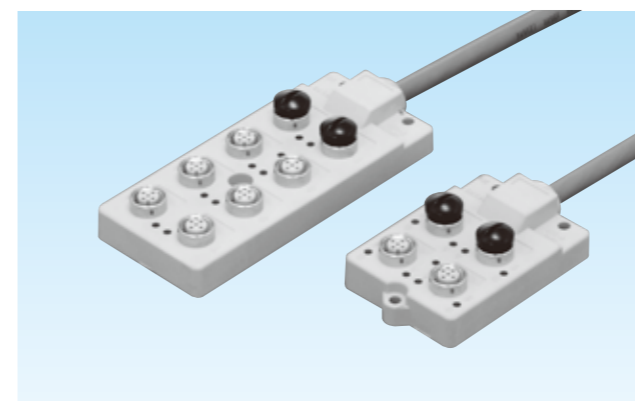




M12 SENSOR BOX

COLOR	FEATURE	FEATURE	TEMPERATURE RANGE	規格
Light gray	IP67	Oil resistance	Lowest -25°C ~Highest 70°C	10~30V

SENSOR BOX



- Sensor box with a cable
 - Connectable plug: M12 Male plug
 - With LED to show the installation condition of M12 Male plug and peripherals
 - With a PUR cable, which has excellent performance of oil resistance and abrasion & nick resistance
 - YJN48L, YJP48L are with PVC cable - UL13:Power-Limited Circuit Cable Type CL3
 - Delivered with 2 protective covers (YJSQ12) for unused M12 slots
- Note: Make sure to mount the protective covers on unused M12 slots

[TECHNICAL CHARACTERISTICS]

TECHNICAL DATA		TECHNICAL DATA	
RATED CURRENT	4A / per channel 12A / total	HOUSING MATERIAL	PA (UL94V-0)
RATED VOLTAGE	DC10~30V	THREAD MATERIAL	CuSn (Nickel plated)
DIELECTRIC VOLTAGE-WITHSTAND	AC500V (per minute)	CONTACT MATERIAL	CuZn (Nickel-and gold plated)
INSULATION RESISTANCE	100MΩ or more	O-RING MATERIAL	FKM
IP RATING	IP67	POTTING MATERIAL	PUR (UL94V-0)
OPERATION TEMPERATURE RANGE	-25°C ~ 70°C	CABLE CONSTRUCTION	High oil-resistant & flexing cycle (PUR/PVC) Awarded quality approval by UL Power line : AWG18 (167/0.08) Signal line : AWG22 (68/0.08)
			Oil-resistant & fixed installation (PVC/PVC) Awarded quality approval by UL Power line : AWG18 (33/0.18) Signal line : AWG22 (68/0.08)

HOW TO READ THE ITEM CODE

Y J N 38 L - 050 GF

WIRING		NUMBER OF TERMINATION		SLOTS		LED		CABLE LENGTH		CABLE CHARACTERISTIC	
N	NPN	3	3-pole + PE	4	4-way	L	with LED	003	0,3m	GF	High oil-resistant & flexing cycle
P	PNP	4	4-pole + PE	8	8-way	No word	Non-LED	006	0,6m	OL	Oil-resistant fixed installation
								010	1,0m	LL	Oil-resistant fixed installation (Type CL3)
								020	2,0m		
								050	5,0m (regular length)		
								100	10,0m		

※ 1 The cable length range: available in increments of 0.1m
MOQ: 1 pc each

[ITEM CODE EXAMPLE] YJN38L-020GF

3-pole + PE / 8-way / NPN / 2m / High oil-resistant & flexing cycle cable

Referring to the chart "CABLE LENGTH", choose the length code corresponding with the cable length required and then add it into the part of item code for CABLE LENGTH.

SENSOR BOX/PLUG-IN CABLE

1. SENSOR BOX

- Instead of using terminal boxes, sensor-related wiring work can be easier done by using Sensor boxes, which work well on reducing installation workload and preventing wrong wiring.

2. PLUG-IN CABLE

- Developed for sensor-related wiring.
- Can be connected to Sensor boxes, switches (M12 sensor connector-related) and photoelectric sensors
- Also useful for relay wiring work.

3. COMPATIBILITY

- Our sensor boxes and plug-in cables are compatible with another make

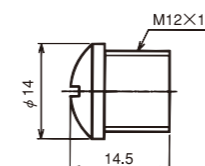
4. TOOLS

- ZDC tool (SCTL254) for plug-in cables is useful to tighten up the nut of male plug / female plug in narrow space.

5. LOCKING FUNCTION

In order to reduce vibration-related matters, our plug-in cables are developed with the locking function.

PROTECTIVE COVER



- IP 67 (only in the condition where this product is mounted on a sensor box)

[M12]

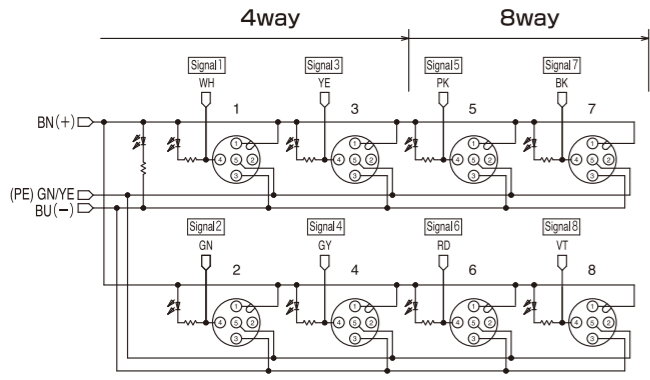
DELIVERY	ITEM NO.	THREAD	WEIGHT (g/PC)	Qty / Package
◎	YJSQ12	M12		30

M12 SENSOR BOX

3-POLE+ ⊕ : WITH CABLE

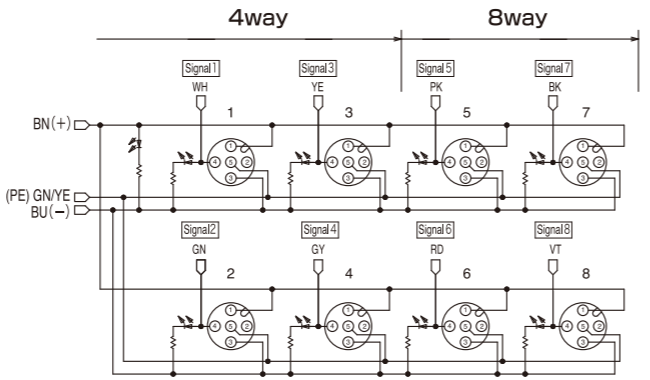
[NPN]

DELIVERY	ITEM NO.	NUMBER OF TERMINATION	SLOTS	CABLE CHARACTERISTIC	CABLE OUTER DIA.	CABLE LENGTH (m)
○	YJN34L-050GF	3	4	High oil-resistant & flexing cycle	φ 8.3	5m <small>(Refer to "HOW TO READ THE ITEM CODE")</small>
○	YJN34L-050OL			Oil-resistant & fixed installation	φ 7.5	
○	YJN38L-050GF		8	High oil-resistant & flexing cycle	φ 9.3	
○	YJN38L-050LL			Oil-resistant & fixed installation	φ 9.3	



[PNP]

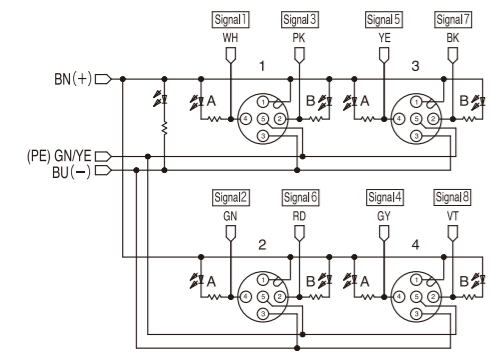
DELIVERY	ITEM NO.	NUMBER OF TERMINATION	SLOTS	CABLE CHARACTERISTIC	CABLE OUTER DIA.	CABLE LENGTH (m)
○	YJP34L-050GF	3	4	High oil-resistant & flexing cycle	φ 8.3	5m <small>(Refer to "HOW TO READ THE ITEM CODE")</small>
○	YJP34L-050OL			Oil-resistant & fixed installation	φ 7.5	
○	YJP38L-050GF		8	High oil-resistant & flexing cycle	φ 9.3	
○	YJP38L-050LL			Oil-resistant & fixed installation	φ 9.3	



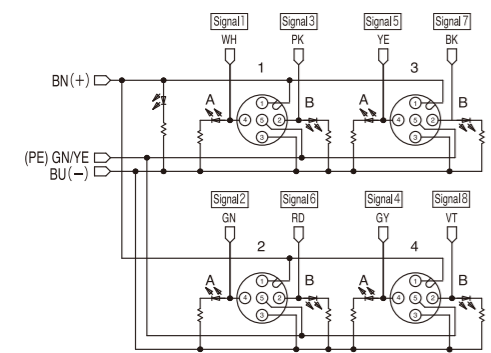
4-POLE+ ⊕ : WITH CABLE

[NPN]

DELIVERY	ITEM NO.	NUMBER OF TERMINATION	SLOTS	CABLE CHARACTERISTIC	CABLE OUTER DIA.	CABLE LENGTH (m)
○	YJN44L-050GF	4	4	High oil-resistant & flexing cycle	φ 9.3	5m <small>(Refer to "HOW TO READ THE ITEM CODE")</small>
○	YJN44L-050LL			Oil-resistant & fixed installation	φ 9.3	
○	YJN48L-050GF		8	High oil-resistant & flexing cycle	φ 11.1	
○	YJN48L-050LL			Oil-resistant & fixed installation	φ 11.0	



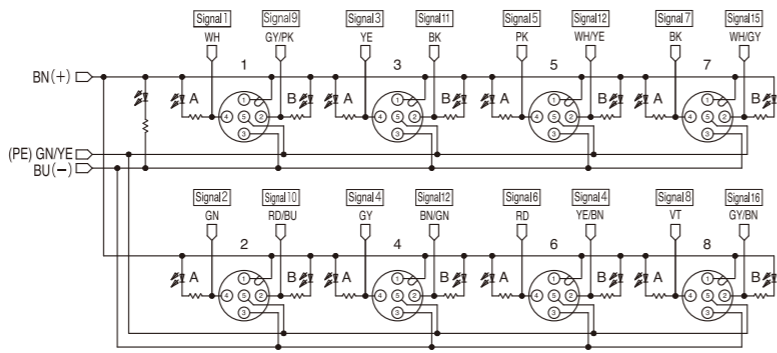
NPN 4-way



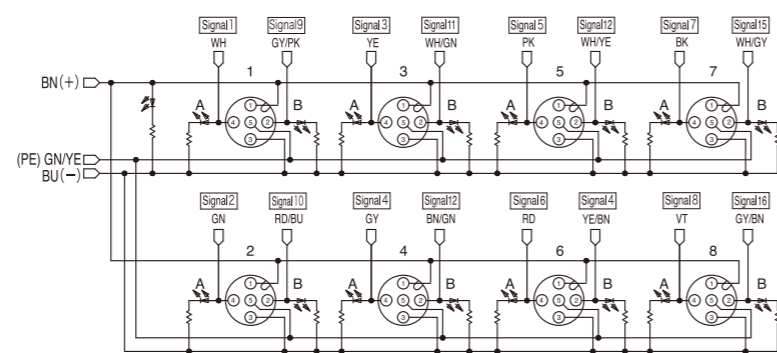
PNP 4-way

[PNP]

DELIVERY	ITEM NO.	NUMBER OF TERMINATION	SLOTS	CABLE CHARACTERISTIC	CABLE OUTER DIA.	CABLE LENGTH (m)
○	YJP44L-050GF	4	4	High oil-resistant & flexing cycle	φ 9.3	5m <small>(Refer to "HOW TO READ THE ITEM CODE")</small>
○	YJP44L-050LL			Oil-resistant & fixed installation	φ 9.3	
○	YJP48L-050GF		8	High oil-resistant & flexing cycle	φ 11.1	
○	YJP48L-050LL			Oil-resistant & fixed installation	φ 11.0	



NPN 8-way



PNP 8-way

M12 SENSOR BOX PITCH & SIZE

FEATURE	FEATURE	TEMPERATURE RANGE
IP67	Oil resistance	Lowest -25°C ~Highest 70°C

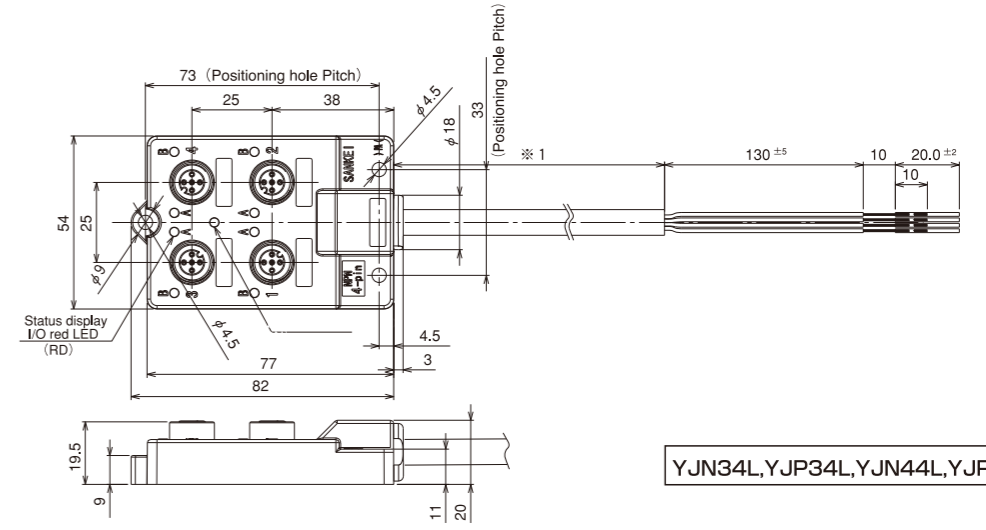
SENSOR BOX

[PITCH & SIZE]

4-way

3-POLE+ ⊕

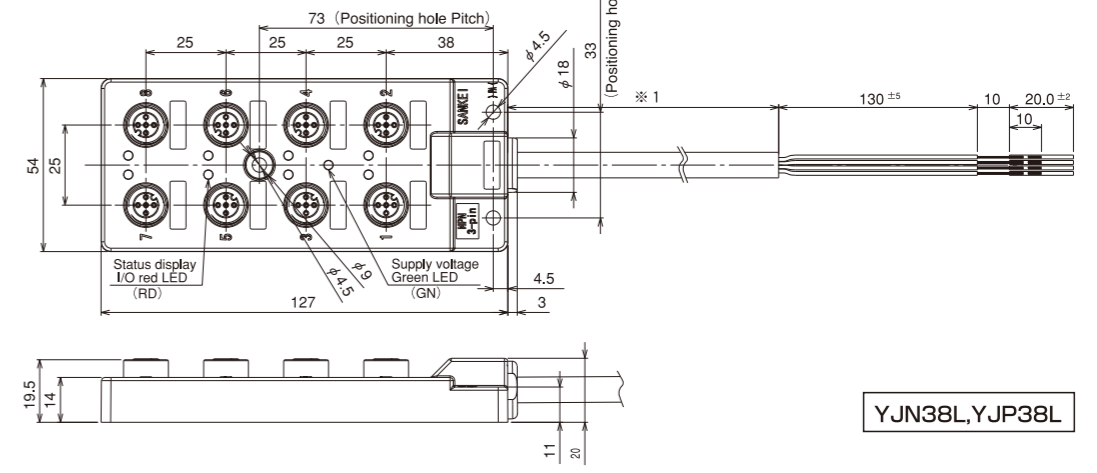
4-POLE+ ⊕



YJN34L, YJP34L, YJN44L, YJP44L

8way

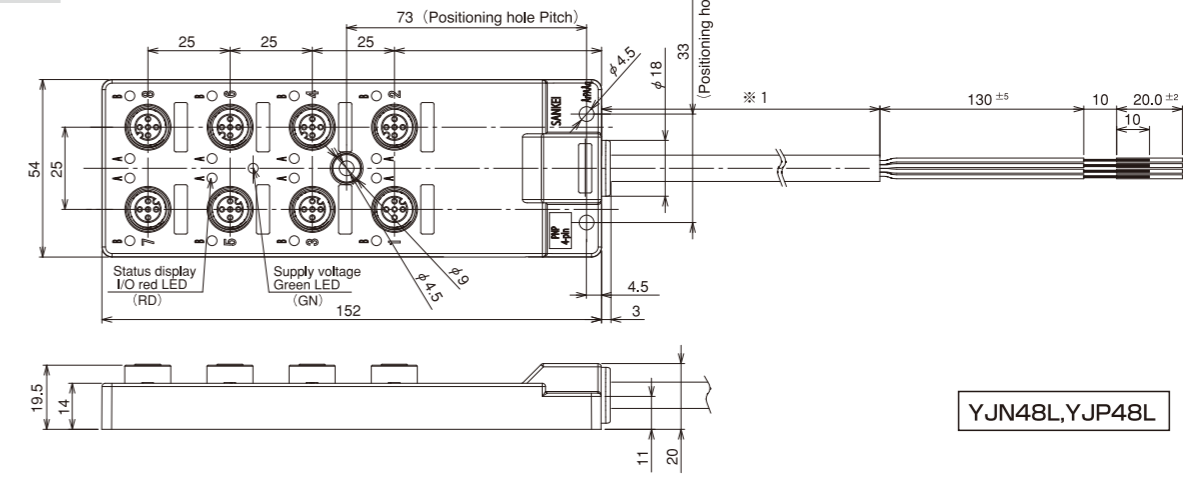
3-POLE+ ⊕



YJN38L, YJP38L

8way

4-POLE+ ⊕



YJN48L, YJP48L

M12 PLUG-IN CABLE

FEATURE	FEATURE	TEMPERATURE RANGE
IP67	Oil resistance	Lowest -25°C ~Highest 70°C



- Plug-in cable
- Designed for sensor boxes and the like
- With M12 Male plug, Female plug (IP67, Self-locking)
- PUR cable - excellent performance of oil resistance and abrasion & nick resistance
- PVC cable - UL13:Power-Limited Circuit Cable Type CL3
- Tool (SCTL254) is separately available to tighten the nut of type YP (to be used only for Straight plug)
- Contact us should another combination of plug-in cables be required

[TECHNICAL CHARACTERISTICS OF M12 PLUG-IN CABLE]

TECHNICAL DATA	
RATED CURRENT	4A
RATED VOLTAGE	DC250V
DIELECTRIC VOLTAGE-WITHSTAND	AC1500V(per minute)
INSULATION RESISTANCE	1000MΩ or more
CONTACT RESISTANCE	10mΩ or less
IP RATING	IP67
OPERATION TEMPERATURE RANGE	-25°C ~ 70°C

[TECHNICAL CHARACTERISTICS OF PLUG]

TECHNICAL DATA	
HOUSING MATERIAL	TPE (UL94V-0)
INSERT MATERIAL	TPE
MALE PLUG CONTACT MATERIAL	CuSn (Nickel-and gold plated)
FEMALE PLUG CONTACT MATERIAL	CuZn (Nickel-and gold plated)
THREAD MATERIAL	ZDC (Nickel plated)
O-RING MATERIAL	FKM

[TECHNICAL CHARACTERISTICS OF CABLE]

CABLE CHARACTERISTIC	MATERIAL (INSULATION + SHEATH)	UL STANDARD	NOMINAL CROSS SECTIONAL AREA	CONDUCTOR COMPOSITION (qty/mm ²)	APPROX. OVERALL DIA. (mm)
High oil-resistant & flexing cycle	PVC+PUR	AWM	AWG20 (0.5mm ²)	110/0.08A	6
Oil-resistant & flexing cycle	PVC+PVC	CL3	AWG20 (0.5mm ²)	110/0.08A	
Oil-resistant & fixed installation	PVC+PVC	CL3	AWG20 (0.5mm ²)	20/0.18A	

HOW TO READ THE ITEM CODE

[CABLE LENGTH]

Referring to the chart, choose the length code corresponding with the cable length required and then add it into the part of item code, ※※※.

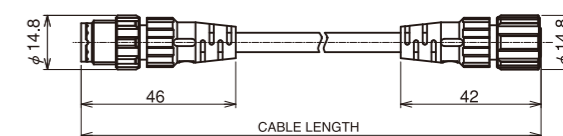
Code	Length	Item Code Example
003	0.3m	[ITEM CODE EXAMPLE] YP4GF-020CS M12 Plug-in cable / 4-pole / Male plug + Female plug / 2m / High oil-resistant & flexing cycle cable
006	0.6m	
010	1.0m	
020	2.0m	
050	5.0m	
100	10.0m	

The cable length range: available in increments of 0.1m
MOQ: 1 pc each

M12 PLUG-IN CABLE

FEATURE	FEATURE	TEMPERATURE RANGE
IP67	Oil resistance	Lowest -25°C ~Highest 70°C

M12 MALE PLUG + FEMALE PLUG



2-POLE



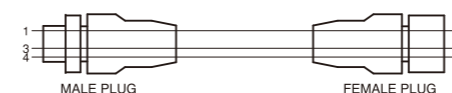
[2-POLE]

DELIVERY	ITEM NO.	NUMBER OF TERMINATION	CABLE CONSTRUCTION	CABLE OUTER DIA.	CABLE LENGTH (m)
7	YP2EGF-※※※CS	2	2C×0.5	High oil-resistant & flexing cycle Oil-resistant & flexing cycle Oil-resistant & fixed installation	Refer to "HOW TO READ THE ITEM CODE"
5	YP2ELF-※※※CS				
5	YP2ELL-※※※CS				

[2-POLE]

DELIVERY	ITEM NO.	NUMBER OF TERMINATION	CABLE CONSTRUCTION	CABLE OUTER DIA.	CABLE LENGTH (m)
7	YP2FGF-※※※CS	2	2C×0.5	High oil-resistant & flexing cycle Oil-resistant & flexing cycle Oil-resistant & fixed installation	Refer to "HOW TO READ THE ITEM CODE"
5	YP2FLF-※※※CS				
5	YP2FLL-※※※CS				

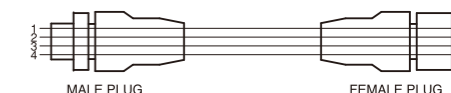
3-POLE



[3-POLE]

DELIVERY	ITEM NO.	NUMBER OF TERMINATION	CABLE CONSTRUCTION	CABLE OUTER DIA.	CABLE LENGTH (m)
7	YP3GF-※※※CS	3	3C×0.5	High oil-resistant & flexing cycle Oil-resistant & flexing cycle Oil-resistant & fixed installation	Refer to "HOW TO READ THE ITEM CODE"
5	YP3LF-※※※CS				
5	YP3LL-※※※CS				

4-POLE



[4-POLE]

DELIVERY	ITEM NO.	NUMBER OF TERMINATION	CABLE CONSTRUCTION	CABLE OUTER DIA.	CABLE LENGTH (m)
7	YP4GF-※※※CS	4	4C×0.5	High oil-resistant & flexing cycle Oil-resistant & flexing cycle Oil-resistant & fixed installation	Refer to "HOW TO READ THE ITEM CODE"
5	YP4LF-※※※CS				
5	YP4LL-※※※CS				

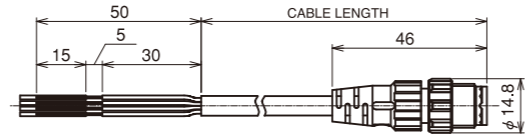
○	YP3LF-005CS	3	3C×0.5	Oil-resistant & flexing cycle	0.5
○	YP3LF-010CS				1.0
○	YP3LF-020CS				2.0
○	YP3LF-030CS				3.0
○	YP3LF-050CS				5.0
○	YP3LF-100CS			10.0	
○	YP3LL-005CS			Oil-resistant & fixed installation	0.5
○	YP3LL-010CS				1.0
○	YP3LL-020CS				2.0
○	YP3LL-030CS				3.0
○	YP3LL-050CS	5.0			
○	YP3LL-100CS	10.0			

○	YP4GF-005CS	4	4C×0.5	High oil-resistant & flexing cycle	0.5
○	YP4GF-010CS				1.0
○	YP4GF-020CS				2.0
○	YP4GF-030CS				3.0
○	YP4GF-050CS				5.0
○	YP4GF-100CS			10.0	
○	YP4LF-005CS			Oil-resistant & flexing cycle	0.5
○	YP4LF-010CS				1.0
○	YP4LF-020CS				2.0
○	YP4LF-030CS				3.0
○	YP4LF-050CS	5.0			
○	YP4LF-100CS	10.0			
○	YP4LL-005CS	Oil-resistant & fixed installation	0.5		
○	YP4LL-010CS		1.0		
○	YP4LL-015CS		1.5		
○	YP4LL-020CS		2.0		
○	YP4LL-030CS		3.0		
○	YP4LL-040CS		4.0		
○	YP4LL-050CS		5.0		
○	YP4LL-070CS		7.0		
○	YP4LL-100CS		10.0		
○	YP4LL-150CS		15.0		
○	YP4LL-200CS	20.0			

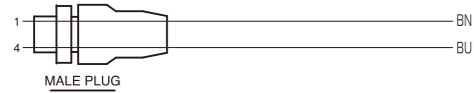
M12 PLUG-IN CABLE

FEATURE	FEATURE	TEMPERATURE RANGE
IP67	Oil resistance	Lowest -25°C ~Highest 70°C

MALE PLUG + OPEN END

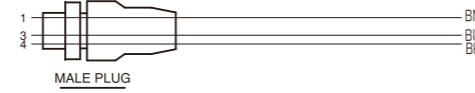


2-POLE



DELIVERY	ITEM NO.	NUMBER OF TERMINATION	CABLE CONSTRUCTION	CABLE OUTER DIA.	CABLE LENGTH (m)
7	YP2AGF-***CF	2	2C×0.5	High oil-resistant & flexing cycle Oil-resistant & flexing cycle Oil-resistant & fixed installation	Refer to "HOW TO READ THE ITEM CODE"
5	YP2ALF-***CF				
5	YP2ALL-***CF				

3-POLE



DELIVERY	ITEM NO.	NUMBER OF TERMINATION	CABLE CONSTRUCTION	CABLE OUTER DIA.	CABLE LENGTH (m)
7	YP3GF-***CF	3	3C×0.5	High oil-resistant & flexing cycle Oil-resistant & flexing cycle Oil-resistant & fixed installation	Refer to "HOW TO READ THE ITEM CODE"
5	YP3LF-***CF				
5	YP3LL-***CF				
7	YP3LF-005CF	3	3C×0.5	Oil-resistant & flexing cycle	0.5
7	YP3LF-010CF				1.0
7	YP3LF-020CF				2.0
7	YP3LF-030CF				3.0
7	YP3LF-050CF				5.0
7	YP3LF-100CF			10.0	
7	YP3LL-005CF			Oil-resistant & fixed installation	0.5
7	YP3LL-010CF				1.0
7	YP3LL-020CF				2.0
7	YP3LL-030CF				3.0
7	YP3LL-050CF	5.0			
7	YP3LL-100CF	10.0			

4-POLE



DELIVERY	ITEM NO.	NUMBER OF TERMINATION	CABLE CONSTRUCTION	CABLE OUTER DIA.	CABLE LENGTH (m)
7	YP4GF-***CF	4	4C×0.5	High oil-resistant & flexing cycle Oil-resistant & flexing cycle Oil-resistant & fixed installation	Refer to "HOW TO READ THE ITEM CODE"
5	YP4LF-***CF				
5	YP4LL-***CF				
7	YP4LF-005CF	4	4C×0.5	Oil-resistant & flexing cycle	0.5
7	YP4LF-010CF				1.0
7	YP4LF-020CF				2.0
7	YP4LF-030CF				3.0
7	YP4LF-050CF				5.0
7	YP4LF-100CF			10.0	
7	YP4LL-005CF			Oil-resistant & fixed installation	0.5
7	YP4LL-010CF				1.0
7	YP4LL-020CF				2.0
7	YP4LL-030CF				3.0
7	YP4LL-050CF	5.0			
7	YP4LL-100CF	10.0			

5-POLE

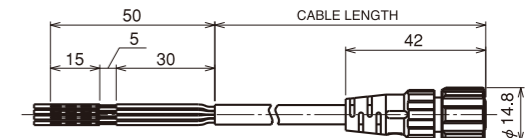


DELIVERY	ITEM NO.	NUMBER OF TERMINATION	CABLE CONSTRUCTION	CABLE OUTER DIA.	CABLE LENGTH (m)
7	YP5GF-***CF	5	5C×0.34	High oil-resistant & flexing cycle Oil-resistant & flexing cycle Oil-resistant & fixed installation	Refer to "HOW TO READ THE ITEM CODE"
5	YP5LF-***CF				
5	YP5LL-***CF				

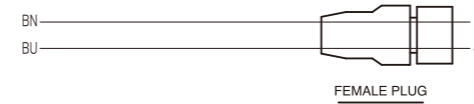
M12 PLUG-IN CABLE

FEATURE	FEATURE	TEMPERATURE RANGE
IP67	Oil resistance	Lowest -25°C ~Highest 70°C

FEMALE PLUG + OPEN END



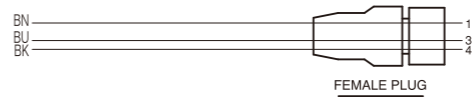
2-POLE



DELIVERY	ITEM NO.	NUMBER OF TERMINATION	CABLE CONSTRUCTION	CABLE OUTER DIA.	CABLE LENGTH (m)
7	YP2AGF-***SF	2	2C×0.5	High oil-resistant & flexing cycle Oil-resistant & flexing cycle Oil-resistant & fixed installation	Refer to "HOW TO READ THE ITEM CODE"
5	YP2ALF-***SF				
5	YP2ALL-***SF				

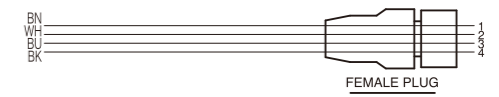
DELIVERY	ITEM NO.	NUMBER OF TERMINATION	CABLE CONSTRUCTION	CABLE OUTER DIA.	CABLE LENGTH (m)
7	YP2DGF-***SF	2	2C×0.5	High oil-resistant & flexing cycle Oil-resistant & flexing cycle Oil-resistant & fixed installation	Refer to "HOW TO READ THE ITEM CODE"
5	YP2DLF-***SF				
5	YP2DLL-***SF				

3-POLE



DELIVERY	ITEM NO.	NUMBER OF TERMINATION	CABLE CONSTRUCTION	CABLE OUTER DIA.	CABLE LENGTH (m)
7	YP3GF-***SF	3	3C×0.5	High oil-resistant & flexing cycle Oil-resistant & flexing cycle Oil-resistant & fixed installation	Refer to "HOW TO READ THE ITEM CODE"
5	YP3LF-***SF				
5	YP3LL-***SF				

4-POLE

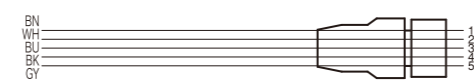


DELIVERY	ITEM NO.	NUMBER OF TERMINATION	CABLE CONSTRUCTION	CABLE OUTER DIA.	CABLE LENGTH (m)
7	YP4GF-***SF	4	4C×0.5	High oil-resistant & flexing cycle Oil-resistant & flexing cycle Oil-resistant & fixed installation	Refer to "HOW TO READ THE ITEM CODE"
5	YP4LF-***SF				
5	YP4LL-***SF				

7	YP3LF-005SF	3	3C×0.5	Oil-resistant & flexing cycle	0.5
7	YP3LF-010SF				1.0
7	YP3LF-020SF				2.0
7	YP3LF-030SF				3.0
7	YP3LF-050SF				5.0
7	YP3LF-100SF			10.0	
7	YP3LL-005SF			Oil-resistant & fixed installation	0.5
7	YP3LL-010SF				1.0
7	YP3LL-020SF				2.0
7	YP3LL-030SF				3.0
7	YP3LL-050SF	5.0			
7	YP3LL-100SF	10.0			

7	YP4LF-005SF	4	4C×0.5	Oil-resistant & flexing cycle	0.5
7	YP4LF-010SF				1.0
7	YP4LF-020SF				2.0
7	YP4LF-030SF				3.0
7	YP4LF-050SF				5.0
7	YP4LF-100SF			10.0	
7	YP4LL-005SF			Oil-resistant & fixed installation	0.5
7	YP4LL-010SF				1.0
7	YP4LL-020SF				2.0
7	YP4LL-030SF				3.0
7	YP4LL-050SF	5.0			
7	YP4LL-100SF	10.0			

5-POLE

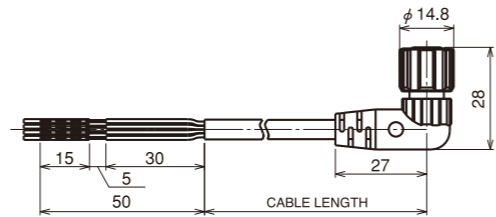


DELIVERY	ITEM NO.	NUMBER OF TERMINATION	CABLE CONSTRUCTION	CABLE OUTER DIA.	CABLE LENGTH (m)
7	YP5GF-***SF	5	5C×0.34	High oil-resistant & flexing cycle Oil-resistant & flexing cycle Oil-resistant & fixed installation	Refer to "HOW TO READ THE ITEM CODE"
5	YP5LF-***SF				
5	YP5LL-***SF				

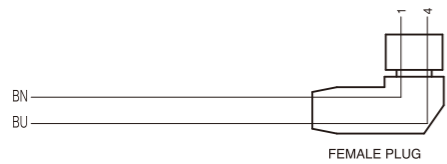
M12 PLUG-IN CABLE

FEATURE	FEATURE	TEMPERATURE RANGE
IP67	Oil resistance	Lowest -25°C ~Highest 70°C

90 DEGREE ANGLE-STYLE FEMALE PLUG + OPEN END



2-POLE



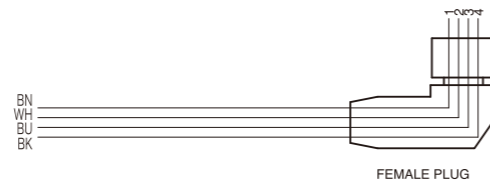
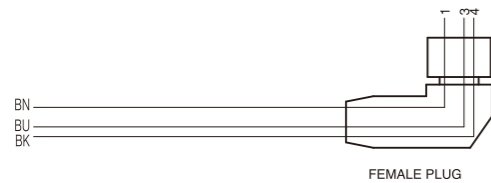
[2-POLE]

DELIVERY	ITEM NO.	NUMBER OF TERMINATION	CABLE CONSTRUCTION	CABLE OUTER DIA.	CABLE LENGTH (m)
7	YP2AGF-***TF	2	2C×0.5	High oil-resistant & flexing cycle Oil-resistant & flexing cycle Oil-resistant & fixed installation	Refer to "HOW TO READ THE ITEM CODE"
5	YP2ALF-***TF				
5	YP2ALL-***TF				

[2-POLE]

DELIVERY	ITEM NO.	NUMBER OF TERMINATION	CABLE CONSTRUCTION	CABLE OUTER DIA.	CABLE LENGTH (m)
7	YP2DGF-***TF	2	2C×0.5	High oil-resistant & flexing cycle Oil-resistant & flexing cycle Oil-resistant & fixed installation	Refer to "HOW TO READ THE ITEM CODE"
5	YP2DLF-***TF				
5	YP2DLL-***TF				

3-POLE



[3-POLE]

DELIVERY	ITEM NO.	NUMBER OF TERMINATION	CABLE CONSTRUCTION	CABLE OUTER DIA.	CABLE LENGTH (m)
7	YP3GF-***TF	3	3×0.5	High oil-resistant & flexing cycle Oil-resistant & flexing cycle Oil-resistant & fixed installation	Refer to "HOW TO READ THE ITEM CODE"
5	YP3LF-***TF				
5	YP3LL-***TF				

[4-POLE]

DELIVERY	ITEM NO.	NUMBER OF TERMINATION	CABLE CONSTRUCTION	CABLE OUTER DIA.	CABLE LENGTH (m)
7	YP4GF-***TF	4	4×0.5	High oil-resistant & flexing cycle Oil-resistant & flexing cycle Oil-resistant & fixed installation	Refer to "HOW TO READ THE ITEM CODE"
5	YP4LF-***TF				
5	YP4LL-***TF				

○	YP3LF-005TF	3	3C×0.5	Oil-resistant & flexing cycle	0.5
○	YP3LF-010TF				1.0
○	YP3LF-020TF				2.0
○	YP3LF-030TF				3.0
○	YP3LF-050TF				5.0
○	YP3LF-100TF			10.0	Oil-resistant & fixed installation
○	YP3LL-005TF			0.5	
○	YP3LL-010TF			1.0	
○	YP3LL-020TF			2.0	
○	YP3LL-030TF			3.0	
○	YP3LL-050TF	5.0			
○	YP3LL-100TF	10.0			

○	YP4LF-005TF	4	4C×0.5	Oil-resistant & flexing cycle	0.5
○	YP4LF-010TF				1.0
○	YP4LF-020TF				2.0
○	YP4LF-030TF				3.0
○	YP4LF-050TF				5.0
○	YP4LF-100TF			10.0	Oil-resistant & fixed installation
○	YP4LL-005TF			0.5	
○	YP4LL-010TF			1.0	
○	YP4LL-020TF			2.0	
○	YP4LL-030TF			3.0	
○	YP4LL-050TF	5.0			
○	YP4LL-100TF	10.0			

5-POLE



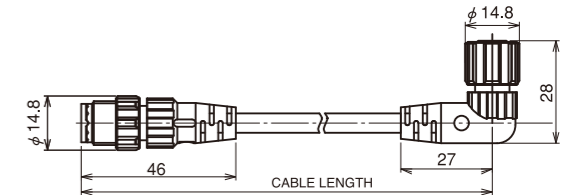
[5-POLE]

DELIVERY	ITEM NO.	NUMBER OF TERMINATION	CABLE CHARACTERISTIC	CABLE OUTER DIA.	CABLE LENGTH (m)
7	YP5GF-***TF	5	5C×0.34	High oil-resistant & flexing cycle Oil-resistant & flexing cycle Oil-resistant & fixed installation	Refer to "HOW TO READ THE ITEM CODE"
5	YP5LF-***TF				
5	YP5LL-***TF				

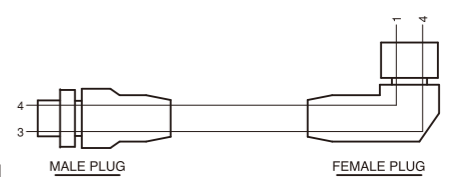
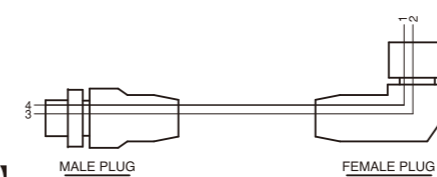
M12 PLUG-IN CABLE

FEATURE	FEATURE	TEMPERATURE RANGE
IP67	Oil resistance	Lowest -25°C ~Highest 70°C

MALE PLUG + 90 DEGREE ANGLE-STYLE FEMALE PLUG



2-POLE



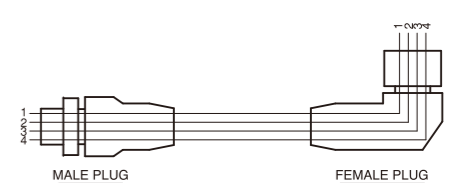
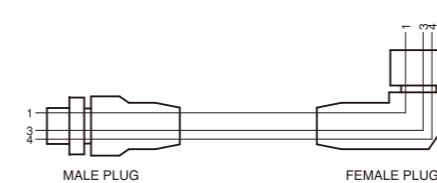
[2-POLE]

DELIVERY	ITEM NO.	NUMBER OF TERMINATION	CABLE CONSTRUCTION	CABLE OUTER DIA.	CABLE LENGTH (m)
7	YP2EGF-***TC	2	2C×0.5	High oil-resistant & flexing cycle Oil-resistant & flexing cycle Oil-resistant & fixed installation	Refer to "HOW TO READ THE ITEM CODE"
5	YP2ELF-***TC				
5	YP2ELL-***TC				

[2-POLE]

DELIVERY	ITEM NO.	NUMBER OF TERMINATION	CABLE CONSTRUCTION	CABLE OUTER DIA.	CABLE LENGTH (m)
7	YP2FGF-***TC	2	2C×0.5	High oil-resistant & flexing cycle Oil-resistant & flexing cycle Oil-resistant & fixed installation	Refer to "HOW TO READ THE ITEM CODE"
5	YP2FLF-***TC				
5	YP2FLL-***TC				

3-POLE



[3-POLE]

DELIVERY	ITEM NO.	NUMBER OF TERMINATION	CABLE CONSTRUCTION	CABLE OUTER DIA.	CABLE LENGTH (m)
7	YP3GF-***TC	3	3C×0.5	High oil-resistant & flexing cycle Oil-resistant & flexing cycle Oil-resistant & fixed installation	Refer to "HOW TO READ THE ITEM CODE"
5	YP3LF-***TC				
5	YP3LL-***TC				

[4-POLE]

DELIVERY	ITEM NO.	NUMBER OF TERMINATION	CABLE CONSTRUCTION	CABLE OUTER DIA.	CABLE LENGTH (m)
7	YP4GF-***TC	4	4C×0.5	High oil-resistant & flexing cycle Oil-resistant & flexing cycle Oil-resistant & fixed installation	Refer to "HOW TO READ THE ITEM CODE"
5	YP4LF-***TC				
5	YP4LL-***TC				

○	YP3LF-005TC	3	3C×0.5	Oil-resistant & flexing cycle	0.5
○	YP3LF-010TC				1.0
○	YP3LF-020TC				2.0
○	YP3LF-030TC				3.0
○	YP3LF-050TC				5.0
○	YP3LF-100TC			10.0	Oil-resistant & fixed installation
○	YP3LL-005TC			0.5	
○	YP3LL-010TC			1.0	
○	YP3LL-020TC			2.0	
○	YP3LL-030TC			3.0	
○	YP3LL-050TC	5.0			
○	YP3LL-100TC	10.0			

○	YP4LF-005TC	4	4C×0.5	Oil-resistant & flexing cycle	0.5
○	YP4LF-010TC				1.0
○	YP4LF-020TC				2.0
○	YP4LF-030TC				3.0
○	YP4LF-050TC				5.0
○	YP4LF-100TC			10.0	Oil-resistant & fixed installation
○	YP4LL-005TC			0.5	
○	YP4LL-010TC			1.0	
○	YP4LL-020TC			2.0	
○	YP4LL-030TC			3.0	
○	YP4LL-050TC	5.0			
○	YP4LL-100TC	10.0			

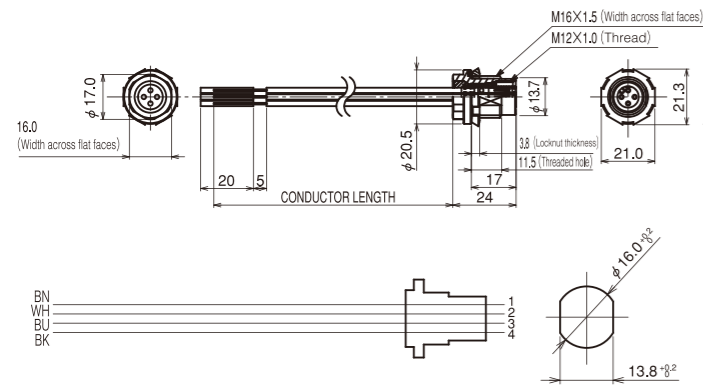
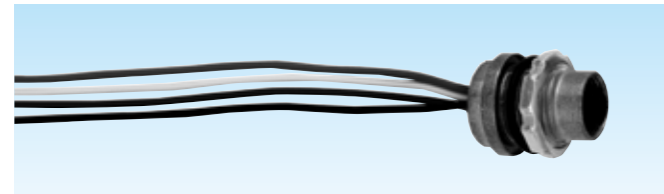
M12 PLUG-IN CABLE - TO BE MOUNTED ON PANEL

FEATURE	FEATURE	TEMPERATURE RANGE
IP67	Oil resistance	Lowest -25°C ~Highest 70°C

WITH LOCKNUT

FEMALE PLUG + OPEN END

- ZDC M12 Plug-in cable
- Surface Finish: Electroplated zinc
- With metallic Locknut
- Available on request: Nickel plated with Brass locknut

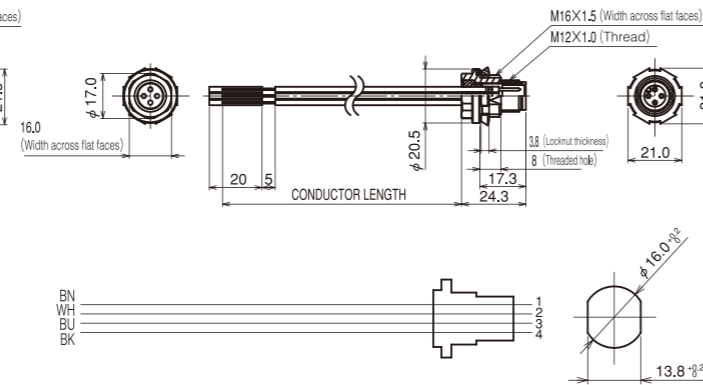
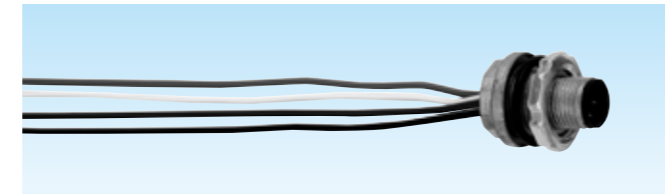


[4-POLE]

DELIVERY	ITEM NO.	NUMBER OF TERMINATION	CONDUCTOR CONSTRUCTION	CONDUCTOR CHARACTERISTIC	CONDUCTOR LENGTH
5	YP4L-***SH2F	4	4×0.5 (20×0.18)	Oil-resistant & fixed installation	Refer to "HOW TO READ THE ITEM CODE"

MALE PLUG + OPEN END

- ZDC M12 Plug-in cable
- Surface Finish: Electroplated zinc
- With metallic Locknut
- Available on request: Nickel plated with Brass locknut

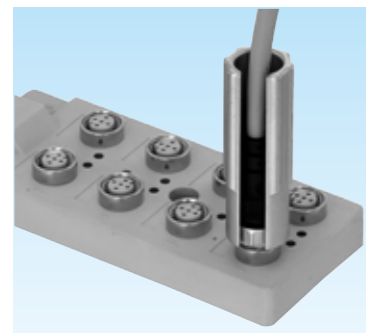


[4-POLE]

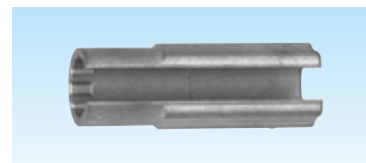
DELIVERY	ITEM NO.	NUMBER OF TERMINATION	CONDUCTOR CONSTRUCTION	CONDUCTOR CHARACTERISTIC	CONDUCTOR LENGTH
5	YP4L-***CH2F	4	4×0.5 (20×0.18)	Oil-resistant & fixed installation	Refer to "HOW TO READ THE ITEM CODE"

TOOL

TOOL FOR PLUG-IN CABLE



- ZDC tool for plug-in cables
- Useful to tighten up the nut of male plug / female plug in narrow space
- First, tighten the nut by hand. Then tighten it again by this tool as much as it cricks twice
- Note: To be used only for Straight plug

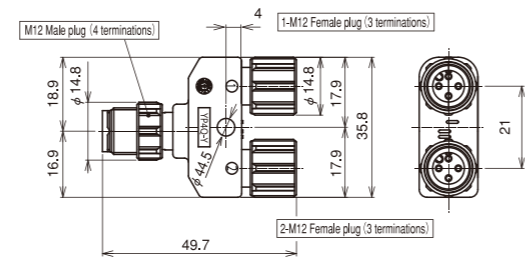
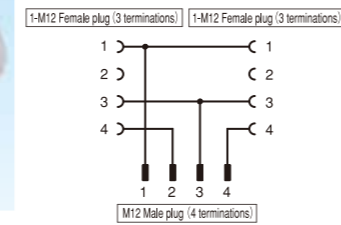


DELIVERY	ITEM NO.	SUITABLE MALE PLUG / FEMALE PLUG	WEIGHT (g/PC)	QTY/PACKAGE
○	SCTL254	YP3 *** YP4 ***	48	1

Y PLUG (1 x MALE PLUG + 2 x FEMALE PLUG)



- Y PLUG for Sensor box YJ series
- To be able to be connected to all slots of Sensor box YJ series without positioning interruption to each other.



[M12]

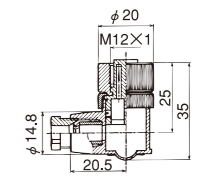
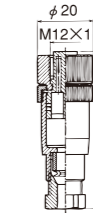
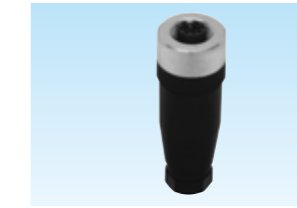
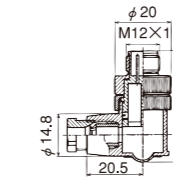
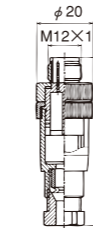
DELIVERY	ITEM NO.	MAIN STREAM	FORKED STREAM	WEIGHT (g/PC)
○	YP4Q-Y	M12 MALE PLUG (4 TERMINATIONS)	2-M12 FEMALE PLUG (3 TERMINATIONS)	29

MALE PLUG / FEMALE PLUG

FEATURE	FEATURE	TEMPERATURE RANGE
IP67	Oil resistance	Lowest -25°C ~Highest 85°C

M12 MALE PLUG / FEMALE PLUG

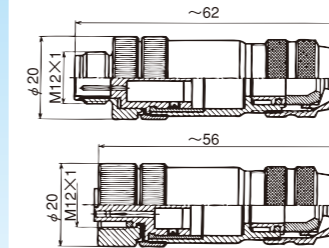
- Non-cable type M12 Male plug / Female plug
- Screw termination type



[M12 // 3-POLE/4-POLE/5-POLE]

DELIVERY	ITEM NO.		STYLE	NUMBER OF TERMINATION	TERMINATION	CONDUCTOR NOMINAL CROSS SECTIONAL AREA Max(mm²)	RATED VOLTAGE (V)	RATED CURRENT	IP	WEIGHT (g/PC)
	φ4~φ6	φ6~φ8								
○	YB 490016	YB 491016	STRAIGHT MALE PLUG	3	SCREW TERMINATION	0.75	DC250	4A	67	
○	YB 490017	YB 491017		4						
○	YB 490018	YB 491018		5			DC250			
○	YB 490019	YB 491019	90 DEGREE ANGLE-STYLE MALE PLUG	3			DC250			
○	YB 490020	YB 491020		4			DC60			
○	YB 490021	YB 491021		5			DC250			
○	YB 490010	YB 491010	STRAIGHT FEMALE PLUG	3			DC250			
○	YB 490011	YB 491011		4			DC60			
○	YB 490012	YB 491012		5			DC250			
○	YB 490013	YB 491013	90 DEGREE ANGLE-STYLE FEMALE PLUG	3			DC250			
○	YB 490014	YB 491014		4	DC60					
○	YB 490015	YB 491015		5	DC60					

M12 SHIELDED MALE PLUG / FEMALE PLUG



- Connectable conductor: 0.75mm²
- IP 67

[M12 MALE PLUG // 4-POLE/5-POLE]

DELIVERY	ITEM NO.	NUMBER OF TERMINATION	TERMINATION	CABLE OUTER DIA.(mm)	RATED		WEIGHT (g/PC)
					V	A	
確	YB 490050	4	SCREW TERMINATION	6~8	250	4	
確	YB 490051	5	SCREW TERMINATION	6~8	125	4	

[M12 FEMALE PLUG // 4-POLE/5-POLE]

DELIVERY	ITEM NO.	NUMBER OF TERMINATION	TERMINATION	CABLE OUTER DIA.(mm)	RATED		WEIGHT (g/PC)
					V	A	
確	YB 490052	4	SCREW TERMINATION	6~8	250	4	
確	YB 490053	5	SCREW TERMINATION	6~8	125	4	

KEIFLEX

SANLEKI
ROBO

KEIGLAND

POWER
GODZILLA

PLICA TUBE

SANPIPE

GRIPLOK

SANPARTS

SANCABLE

SANCUBE



KEIFLEX

SANLEKI
ROBO

KEIGLAND

POWER
GODZILLA

PLICA TUBE

SANPIPE

GRIPLOK

SANPARTS

SANCABLE

SANCUBE



KEIFLEX

SANLEKI
ROBO

KEIGLAND

POWER
GODZILLA

PLICA TUBE

SANPIPE

GRIPILOK

SANPARTS

SANCABLE

SANCUBE