



CABLE CARRIER
POWER GODZILLA®
 パワ-ゴジラ

1. CABLE CARRIER

Designed for robots / machine tools

2. DEVELOPED LIKE GODZILLA

- Specially developed Polyamide is used for Non-metallic POWER GODZILLA
- Durable and smooth movements
- Special style which holds up to high speed-movements is available

3. REDUCE INSTALLATION TROUBLE

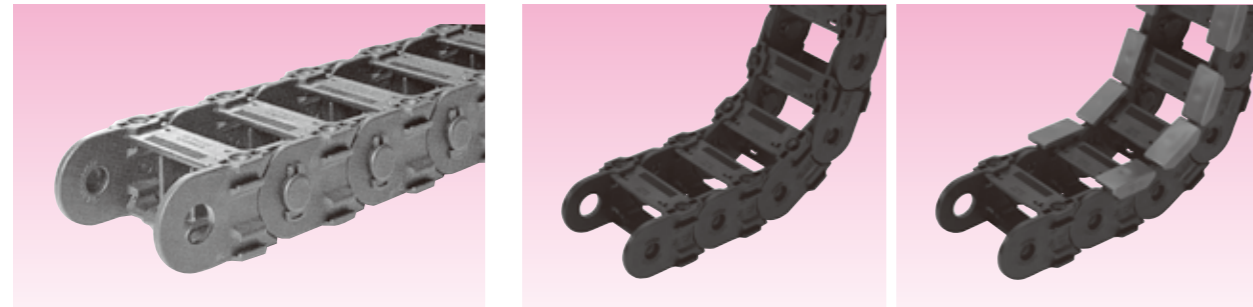
- Experienced technical staff support you from the design stage in order to reduce installation and operation trouble

4. TECHNICAL CO-OPERATION WITH ekd gelenkrohr (Germany)

CONSTRUCTION SUMMARY

TYPE

PKK

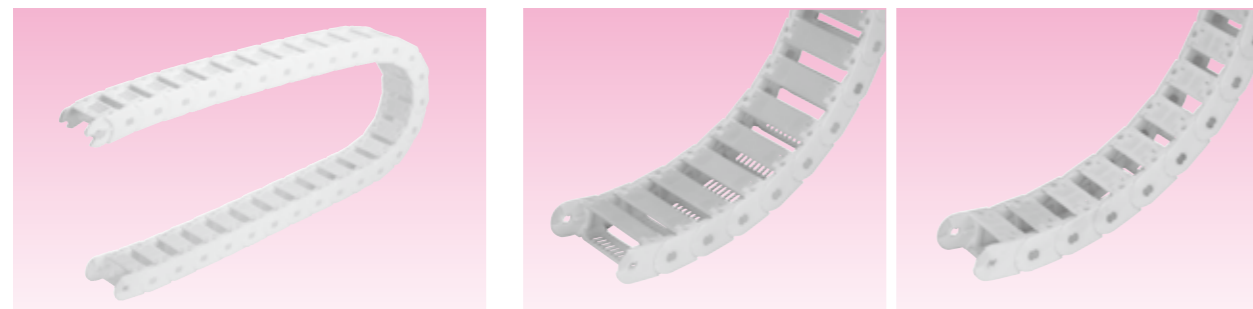


PKK SERIES (NON-METALLIC POWER GODZILLA - PARTS COMBINATION CONSTRUCTION)

Type	Features	Inside height availability (mm)	Stay length (mm)	Bend radius availability (mm)	Cable/hoses max. outside diameter to be inserted (mm)	Cable/hoses max. total weight to be inserted (kg/m)	Max. traveling length for sagging resistance (mm)	Speed resistance - max. travelling speed (m/sec)	LINK Pitch (mm)	Page
PKK 120	Standard type 0	16	30 50	40 50 60 75	14	2	2.9	2	35	193 196
PKK 121	Standard type 1	16X2	80 100	50 60 75						
PKK 123	With additional stay									
PKK 128	With slider	16	50 100	75 100 150 200 300	30	8	5.6	65		
PKK 125	With inner / outer cover									
PKK 220	Standard type 0	34	50 60 70 80	100 150 200 250 300 400	46	18	7.6	90		
PKK 221	Standard type 1	34X2	90 100 120							
PKK 223	With additional stay									
PKK 228	With slider	34	150 170 200	100 150 200 200 300 400	70	23	11.5	115		
PKK 225	With inner / outer cover									
PKK 320	Standard type 0	51	50 100 120 150	150 200 250 300 400 500	70	23	11.5	115		
PKK 321	Standard type 1	51X2	200 250 300							
PKK 323	With additional stay									
PKK 328	With slider	51	100 150 200 300	150 200 250 300 400 500	70	23	11.5	115		
PKK 325	With inner / outer cover									
PKK 530	Standard type 0	81	50 100 120 150	200 250 300 200 250 300 400 500	70	23	11.5	115		
PKK 531	Standard type 1									
PKK 535	With inner / outer cover	81	150 200 300							

TYPE

KOR



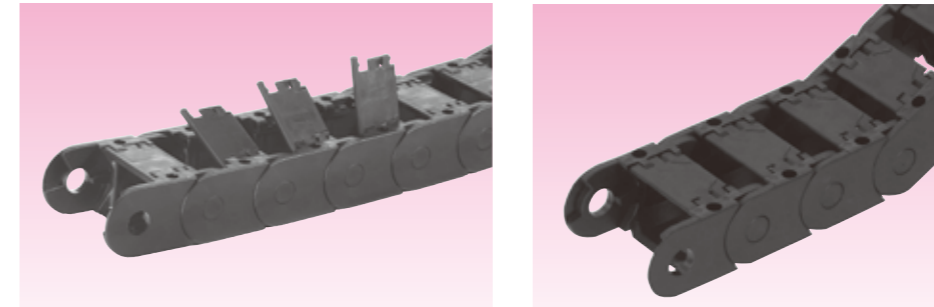
KOR SERIES (NON-METALLIC POWER GODZILLA - FOR CLEANLINESS REQUIREMENT)

Type	Features	Inside height availability (mm)	Stay length (mm)	Bend radius availability (mm)	Cable/hoses max. outside diameter to be inserted (mm)	Cable/hoses max. total weight to be inserted (kg/m)	Max. traveling length for sagging resistance (mm)	Speed resistance - max. travelling speed (m/sec)	LINK Pitch (mm)	Page
KOR 10.0	Designed for application which requires cleanliness (Prevention of abrasion/ Quiet running) Open on the inner radius side	23	34	75 100	20	1.2	2.8	2.8	35	203
KOR 11.0			44							
KOR 12.0			64							
KOR 13.0			79							
KOR 14.0			109							

CONSTRUCTION SUMMARY

TYPE

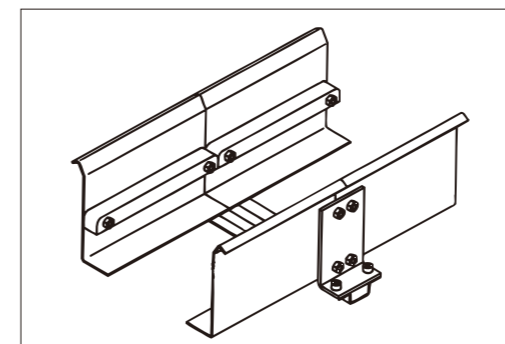
KOL



KOL SERIES (NON-METALLIC POWER GODZILLA - FOR LIGHT WEIGHT APPLICATION)

Type	Features	Inside height availability (mm)	Inside width (mm)	Bend radius availability (mm)	Cable/hoses max. outside diameter to be inserted (mm)	Cable/hoses max. total weight to be inserted (kg/m)	Max. traveling length for sagging resistance (mm)	Speed resistance - max. travelling speed (m/sec)	LINK Pitch (mm)	Page
KOL 0.3	Small	φ 10	φ 10	20 30	8	0.4	2	1	20	198 202
KOL 01.3			φ 10	30						
KOL 1.3			18	40 100 200						
KOL 2.3	48									
KOL 3.3	78									
KOL 00	Small	φ 10	φ 7	15 30	6	0.25	1.5	2	15	
KOL 0			φ 10	20 30						
KOL 02			10	24						
KOL 03	Open on the inner radius side	17	39	35 50 70	15	0.6	2.8	1	26	
KOL 05.0			27							
KOL 06.0			37							
KOL 10.0	Medium	23	34	40 75 100 150 200	20	2	4.2	2	35	
KOL 11.0			44							
KOL 12.0			64							
KOL 13.0	Open on the inner radius side	50	79	100 150 200 250	45	16	6.2	2	70	
KOL 14.0			109							
KOL 16			177							
KOL 17	Large	38	59	60 125 250	25	8	4.6	2	55	
KOL 19.0			109							
KOL 20.0			78							
KOL 21.0	Open on the inner radius side	50	133	75 100 150 200 250	33	12	5.6	2	70	
KOL 22.0			48							
KOL 24.0			108							
KOL 24.0	Closed construction	38	77	100 150 200 250	35	8	5.6	2	55	
KOL 29.0			205							
KOL 10.5			200							
KOL 19.5	Open on the outer radius side	50	33	125 150 200 300	45	16	6.2	2	70	
KOL 20.5			77							
KOL 21.5			117							
KOL 24.5	T-STAY open-able type	17	177	35 70	14	0.6	2.5	1	30	
KOL 27.5			18X2							

GUIDE CHANNEL and SLIDE RAIL for PKK SERIES



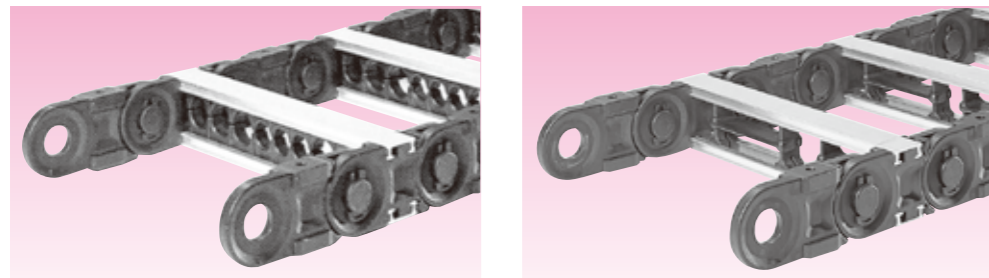
- To be used for long traveling
- Contact us for more information of what situation requires GUIDE CHANNEL and SLIDE RAIL

Refer to GUIDE CHANNEL FOR PKK SERIES and SLIDE RAIL FOR PKK SERIES

CONSTRUCTION SUMMARY

TYPE

PL

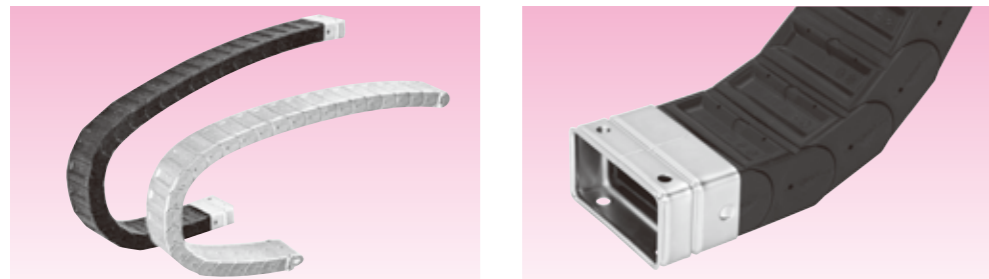


PL SERIES (NON-METALLIC POWER GODZILLA - REINFORCED CONSTRUCTION)

Type	Features (INNER STAY type:)	Inside height availability (mm)	Inside width (mm)	Bend radius availability (mm)	Cable/hoses max. outside diameter to be inserted (mm)	Cable/hoses max. total weight to be inserted (kg/m)	Max. traveling length for sagging resistance (mm)	Speed resistance - max. traveling speed (m/sec)	LINK Pitch (mm)	Page	
PLE220	INSERT	31	As required 50~600mm (Available in increments of 5mm)	75 100 150	27	7	5.8	3	75	204 }	
PLS220	FOAM STAY				25						
PLP220	DIVIDER PDV			28							
PLE320	INSERT	49		150 200 250	41	18	7.8		100		205
PLS320	FOAM STAY				35						
PLP320	DIVIDER PDV			44							
PLE520	INSERT	68	200 250 300	59	25	10	125	205			
PLS520	FOAM STAY			55							
PLP520	DIVIDER PDV		62								

TYPE

PFR



PFR SERIES (NON-METALLIC POWER GODZILLA - CLOSED CONSTRUCTION)

Type	Features	Inside height availability (mm)	Inside width (mm)	Bend radius availability (mm)	Cable/hoses max. outside diameter to be inserted (mm)	Cable/hoses max. total weight to be inserted (kg/m)	Max. traveling length for sagging resistance (mm)	Speed resistance - max. traveling speed (m/sec)	LINK Pitch (mm)	Page
PFR121	Closed construction, Non-open-able type	23	23	75 150	20	3	3.8	2	35	209 }
PFR122			38							
PFR123			30X 2 sections							
PFR221		34	36	100 200	31	5	4.8		50	
PFR222			86							
PFR223			66.5X 2 sections							
PFR322	57	134	150 300	52	8	5.8	65			
PFR323		103X 2 sections								

TYPE

Marathon

Refer to the section for Marathon



CHARACTERISTICS

- POWER GODZILLA - Wheel traveling type
- Suitable for long traveling
- Solution to reduce friction and noise

TYPE

NDF



CHARACTERISTICS

- Non-metallic corrugated flexible conduit - Track type
- Possible movement: Similar to movement of POWER GODZILLA
- Suitable for short traveling
- Refer to the page for SANFLEKI ROBO for more information

SANFLEKI ROBO 3D movement system



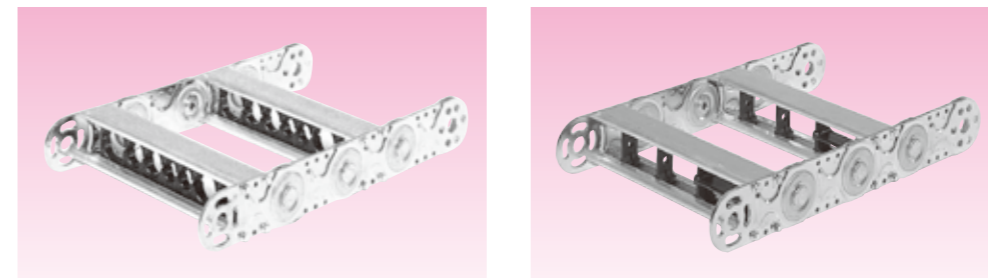
CHARACTERISTICS

- Non-metallic corrugated flexible conduit slit type - 3D movement system
- Refer to the page for SANFLEKI ROBO for more information

CONSTRUCTION SUMMARY

TYPE

KL



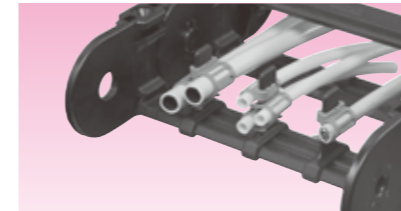
KL SERIES (METALLIC POWER GODZILLA)

Type	Features (INNER STAY type:)	Inside height availability (mm)	Aluminum stay length (mm)	Bend radius availability (mm)	Cable/hoses max. outside diameter to be inserted (mm)	Cable/hoses max. total weight to be inserted (kg/m)	Max. traveling length for sagging resistance (mm)	Speed resistance - max. traveling speed (m/sec)	LINK Pitch (mm)	Page
KLP120	DIVIDER PDV / PDH	19	As required 50~600mm (Available in increments of 5mm)	60 100 150 250	17	7	6.7	0.5	50	206 }
KLE220	INSERT				27					
KLE225	(225: COVERED TYPE)			25						
KLS220	FOAM STAY	31		100 150 200 250 300	25	30	8.7		75	
KLS225	(225: COVERED TYPE)				28					
KLP220	DIVIDER PDV / PDH			49	150 200 250 300 400					
KLP225	(225: COVERED TYPE)	44								
KLA220	T-STYLE ALUMINUM STAY (T-PROFILE)	68	200 250 300 400 500		59	50	16.5	125		
KLE320	INSERT			55						
KLE325	(325: COVERED TYPE)		61							
KLS320	FOAM STAY	118	250 300 400 500 600	107	55	17.5	175			
KLS325	(325: COVERED TYPE)			107						
KLP320	DIVIDER PDV / PDH		118	400 500 600				107	55	17.5
KLP325	(325: COVERED TYPE)	107								
KLA320	T-STYLE ALUMINUM STAY (T-PROFILE)	68		200 250 300 400 500	59	50	16.5	125		
KLE520	INSERT		55							
KLE525	(525: COVERED TYPE)			61						
KLS520	FOAM STAY	118	250 300 400 500 600	107	55	17.5	175			
KLS525	(525: COVERED TYPE)			107						
KLP520	DIVIDER PDV / PDH		118	400 500 600				107	55	17.5
KLP525	(525: COVERED TYPE)	107								
KLA520	T-STYLE ALUMINUM STAY (T-PROFILE)	68		200 250 300 400 500	59	50	16.5	125		
KLE620	INSERT		55							
KLE625	(625: COVERED TYPE)			61						

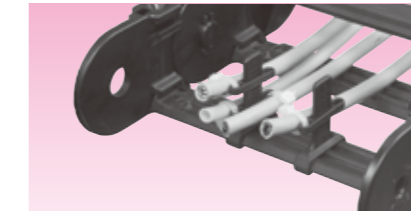
POWER GODZILLA ACCESSORIES

CABLE / HOSE BINDING ACCESSORIES

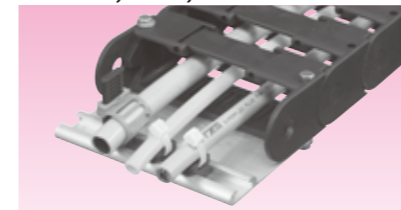
PGBB



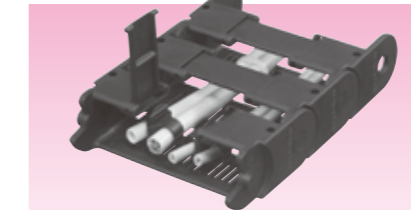
PGCA8



PGCA10, PGAP, PGD2V



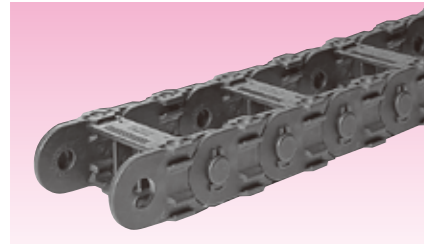
PGD2H



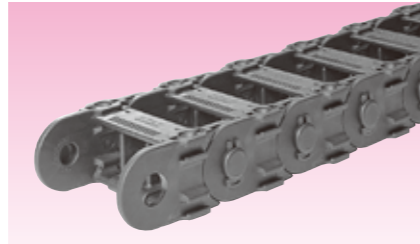
Refer to POWER GODZILLA ACCESSORIES

TYPE PKK

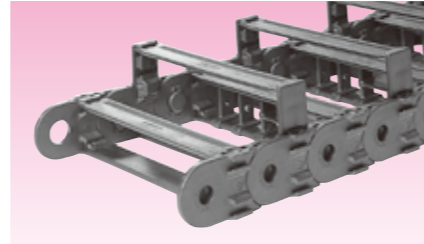
NON-METALLIC POWER GODZILLA - PARTS COMBINATION CONSTRUCTION



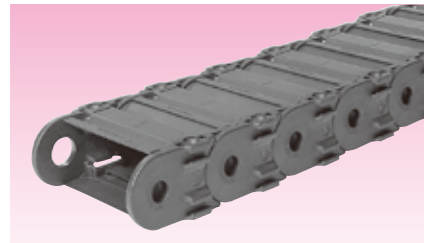
PKK ※※0



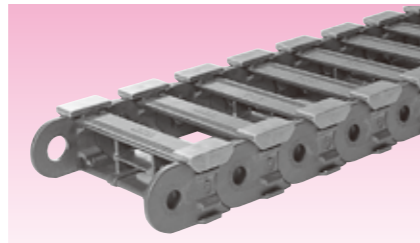
PKK ※※1



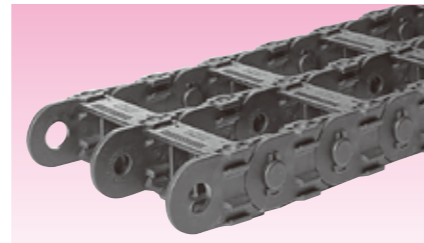
PKK ※※3



PKK ※※5



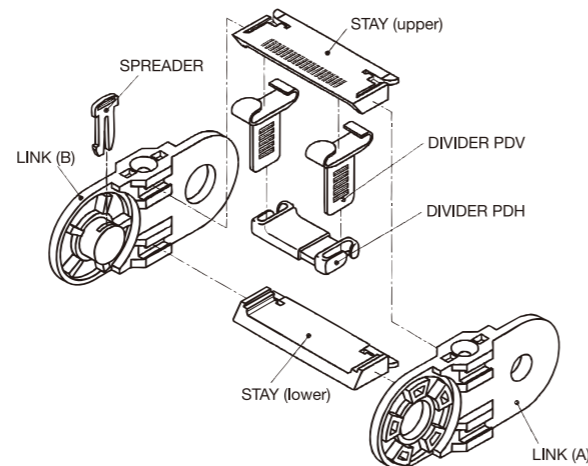
PKK ※※8



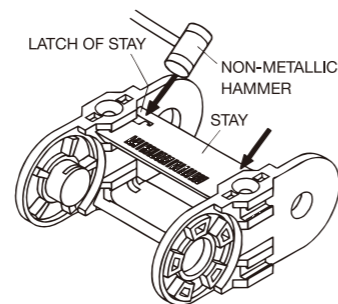
Horizontally connected POWER GODZILLA

CHARACTERISTICS

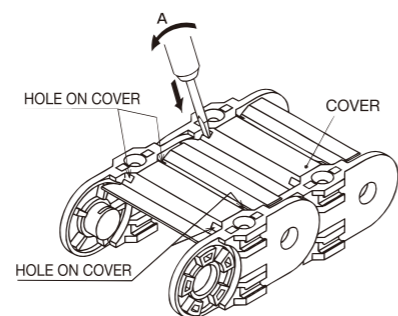
- Suitable for high speed and long traveling (except Type PKK※※3)
Note: Only type PKK※※3 is suitable for low speed and short traveling
- With holes on each LINK to fix POWER GODZILLA to machinery / an installation place so that Extra end fittings are not required
- Construction: Main assembly parts: LINKs, STAYs (or INNER/OUTER COVERs), SPREADERs, DIVIDERs - type PDV and PDH
Note: DIVIDERs - type PDV and PDH are optional
- How to read the Type Code
PKK + Height of LINKs + Thickness of LINKs + Style code
- Available styles:
PKK※※0 : With STAYs assembled on every 2 pairs of LINKs
PKK※※1 : With STAYs assembled on every pair of LINKs
PKK※※3 : With ADDITIONAL STAYs
PKK※※5 : With INNER/OUTER COVERs in stead of regular STAYs
PKK※※8 : With SLIDERS
- Height of LINKs:
1 = 25mm, 2 = 50mm, 3 = 75mm, 5 = 108mm
- Thickness of LINKs
2 = Regular wall thickness type, 3 = Reinforced wall - Thick wall type (only available for type PKK53※)
- Horizontally connectable (Combination of types are limited)
- Possible to put cables inside POWER GODZILLA from the inner and outer radius sides
- DIVIDERs - type PDV and PDH are available to sort cables inside POWER GODZILLA
- DIVIDERs - type PDV and PDH shall be connected to STAYs (or OUTER COVERs for type PKK※※5) before connect STAYs / OUTER COVERs to LINKs
- Disconnection of LINKs can be done easily. Should shortening the length of POWER GODZILLA be required, take out SPREADER from LINKs and disconnect them.
- Reassembly of LINKs can be done easily. Should more inside space for cables be required, replace STAYs with longer STAYs (or connect ADDITIONAL STAY to POWER GODZILLA)
- Fix POWER GODZILLA (except type PKK5※※) to machinery / an installation place with countersunk head screws (There are holes for screws on LINKs. The hole size is depending on types of POWER GODZILLA: M4, M6, or M8)
Note: Bolts (such as Hexagon head bolts) shall be used for type PKK5※※ in stead of countersunk head screws.
- Refer to the page for SCREW / BOLT for PKK SERIES for more information
- Use GUIDE CHANNEL and SLIDE RAIL for long traveling.
Note: Contact us for information of what situation requires GUIDE CHANNEL and SLIDE RAIL
- Should fixing cables at the end of POWER GODZILLA be required, use POWER GODZILLA accessories (PGBB, PGCA8, PGCA10, PGAP, PGD2V). Refer to the page for those accessories



DISCONNECTION OF STAY



- Diagonally Hit the latch of STAY with non-metallic hammer to release the hook of latch
- Note: Do not hit the latch hard, otherwise, STAY breaks

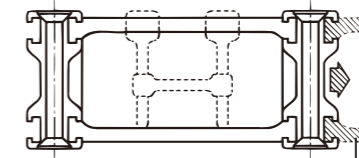


- ① Insert a screwdriver (flat-shaped end) into each hole on COVER
- ② Pull down the screwdriver (Refer to the drawing) to release the hook of latch

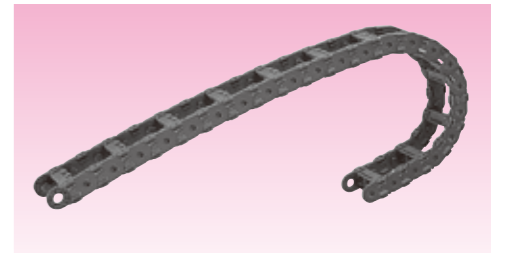
TYPE PKK

PKK ※※0 (120/220/320/530)

- Cable carriers with STAYs assembled on every 2 pairs of LINKs



To be horizontally connected



PKK ※※1 (121/221/321/531)

- Cable carriers with STAYs assembled on every pair of LINKs

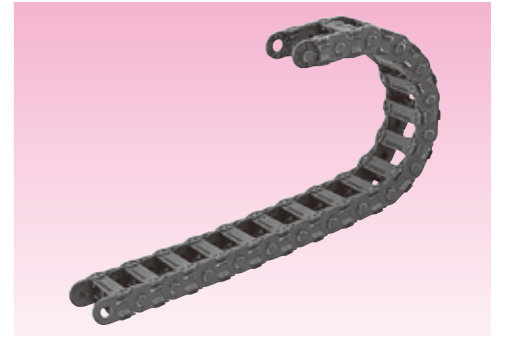
PKK※※0 (Total LINK qty: even number)



PKK※※0 (Total LINK qty: odd number)

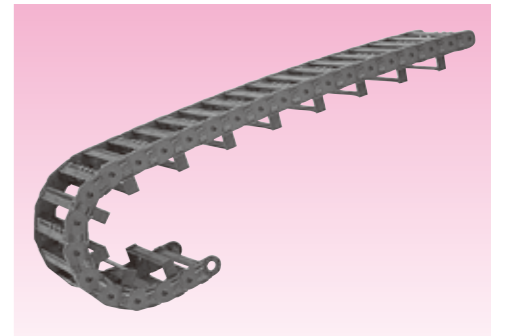
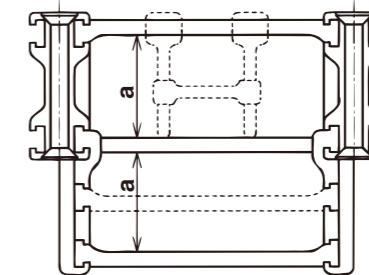


PKK※※1



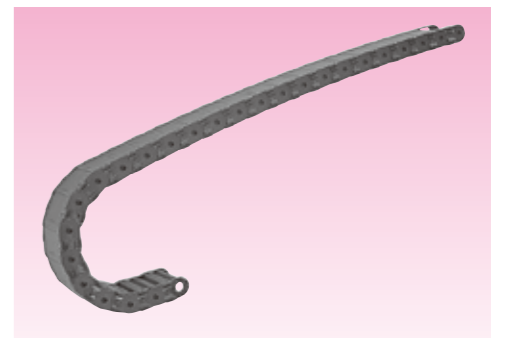
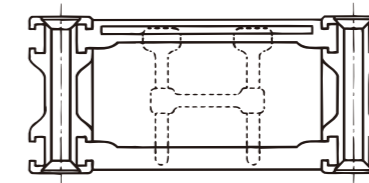
PKK ※※3 (123/223/323)

- Cable carriers with ADDITIONAL STAYs on every 2 pairs of LINKs on the inner radius side
- Suitable for low speed and short traveling
- Possible to connect ADDITIONAL STAYs on LINKs on the outer radius sides



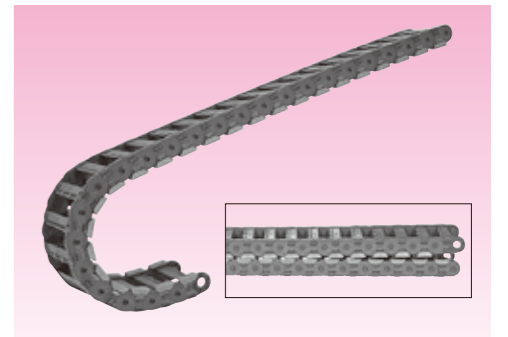
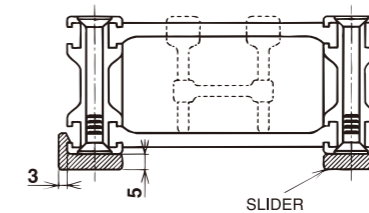
PKK ※※5 (125/225/325/535)

- COVERED Type
- Cable carriers with INNER/OUTER COVERs in stead of regular STAYs
- Dust particle protection



PKK ※※8 (128/228/328)

- Cable carriers with SLIDERS
- Sliding movements
- Suitable for operation of long traveling / highly repeated movements, and with traveling speed 1m/second or faster,
Note: Contact us for information of what situation requires SLIDERS
- When 2 or more POWER GODZILLA are connected horizontally, SLIDERS are only needed on the outside walls of LINKs
- SLIDERS are not connected to END LINKs
- Available on request: Reinforced SLIDERS (abrasion resistance is higher than regular SLIDERS)
Note: only available for PKK228, PKK328
When the reinforced SLIDERS are required, indicate the product code with an indication of Type PKK228N / PKK328N on your purchase order.



MAIN MATERIAL	COLOR	ENVIRONMENT
PA6	Black	RoHS

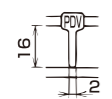
TYPE PKK

DIVIDER

- DIVIDERS - type PDV and PDH are usually used for every other pair of LINKS
- PDV can be repositioned horizontally in increments of 2mm
- PDH can be repositioned vertically (12mm for PKK2※ / 24mm for PKK3※ / 60mm for PKK5※) in increments of 3mm

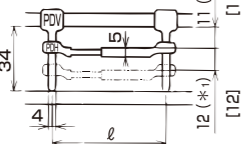
- PDV availability (4 kinds in size): PDV100, PDV200, PDV300, PDV500
- PDH availability (2 types in length): PDH55, PDH75
- PDH55 extends from 55mm to 80mm / PDH75 extends from 75mm to 100mm
- Available on request: Shorter PDH (One of its sides is connected to PDV)

FOR 100

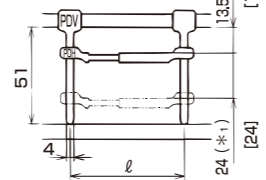


- *1...PDH connectable range
- *2...Min. distance

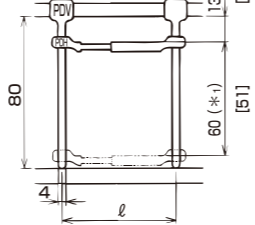
FOR 200



FOR 300

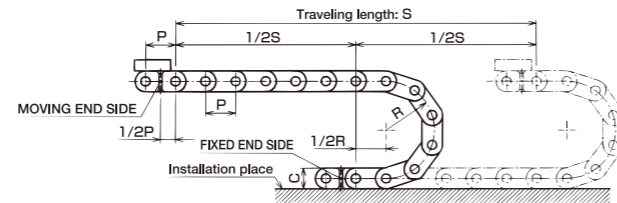
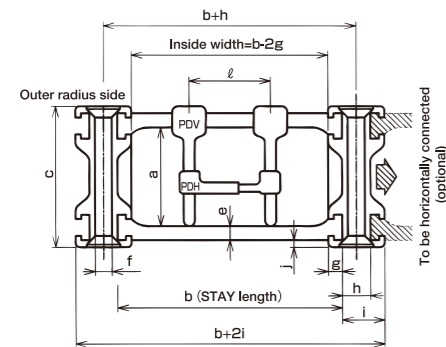


FOR 500



· Size in [] is for DIVIDER PDV※25 (used for PKK※5)

PKK SERIES SIZE



- The length of POWER GODZILLA (L): determined by $1/2 S + \pi R + R + 2P$, or longer
- Qty of LINKs: determined by L / P (Note: The remainder shall be rounded up)

Delivery	Type PKK	Bend radius availability	Pitch P	Inside height a	Outside height c	e	f	g	h	i	j	l
○ 123,125,128	50/60/75	65	34	50	5	6.3 (M6)	5	10	15	3		
○ 220,221	75/100/150/200/300										90	51
○ 223,225,228※	100/150/200/300	115	81	108	8	6	17	23	5.5			
○ 320,321	100/150/200/250/300/400									150/200/250/300/400	150/200/250/300/400	530,531
○ 323,325,328※	150/200/250/300/400	200/250/300/400/500	535	200/250/300/400/500								

Type PKK	b (STAY length)
120,121,123,128	30 50 80 100
125	50 100
220,221,223,228	50 60 70 80 90 100
225	120 150 170 200
320,321,323,328	50 100 120
530,531	150 200 250 300
325	100 150 200 300
535	150 200 300

※Type code of reinforced SLIDERS : PKK228N / PKK328N

PRODUCT CODE

e.g. Horizontally connected POWER GODZILLA
 Traveling length S: 3.8m, Bend radius R: 200mm
 Cable outer dia.(φ d) x qty (n): φ 20 x 2 / φ 4 x 4 / φ 14 x 1
 Hose outer dia.(φ d) x qty (n): φ 20 x 6

PKK221 / 200 / 100 + 150 x 42P + (PDV X 7 + PDH55 X 1) -H

PKK221 ... Type PKK 221 100 + 150 ... STAY length (PDV X 7 + PDH55 X 1) ... (DIVIDER type PDV x Qty + DIVIDER type PDH55 x Qty) + 200 ... Bending radius 42P ... Qty of Links - H ... Movement

- Refer to the page of POWER GODZILLA MOVEMENT for information of Movement
- Contact us for style selection

e.g. Horizontally connected POWER GODZILLA



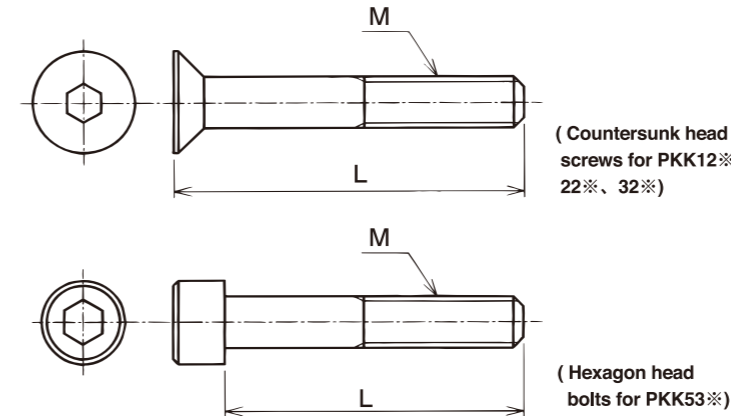
- POWER GODZILLA has PRETENSION (curving chain line) as its regular design in order to hold up against weight of cables to be loaded inside.
- Availability: Types with PRETENSION (This is Regular type) / Types without PRETENSION
- Whether or not POWER GODZILLA shall have PRETENSION depends on its movement. Refer to the page for POWER GODZILLA MOVEMENT.
- Advise us on a product code with a movement type

- Movement type N, M, F, I, U : POWER GODZILLA with PRETENSION will be selected
- Unless any movement type is indicated with a product code: POWER GODZILLA with PRETENSION will be selected
- Any other movement types: POWER GODZILLA without PRETENSION will be selected
- Should POWER GODZILLA without PRETENSION be required, advise us on your special request.

TYPE PKK

SCREW / BOLT FOR PKK SERIES

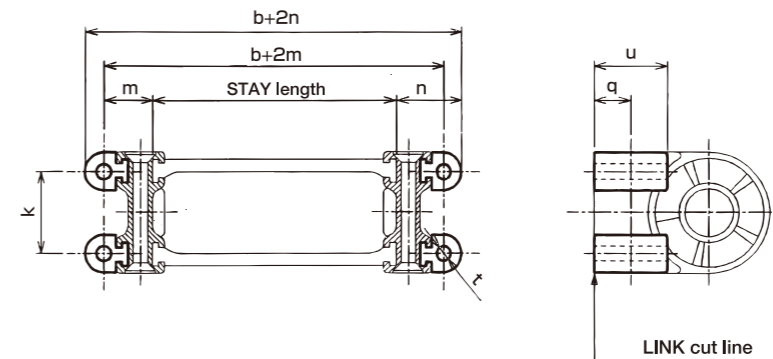
- Countersunk head screws shall be used to fix POWER GODZILLA (except type PKK5※) to machinery / an installation place
- Note: Bolts (such as Hexagon head bolts) shall be used for type PKK5※ in stead of countersunk head screws.
- Refer to the chart and drawing, select the appropriate one



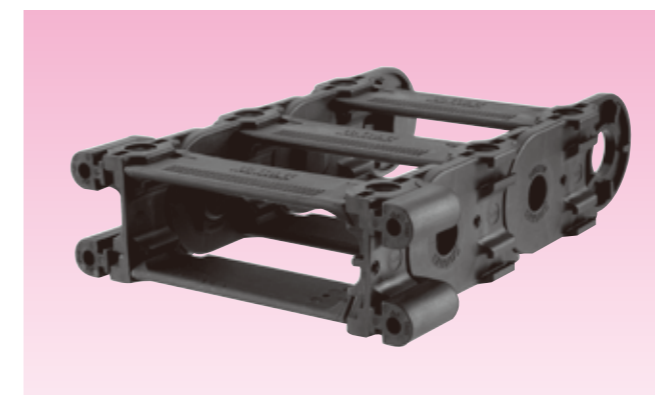
Delivery	Item number	Length L	Screw / bolt size M	Designed for
○	PGPA425	30	M4	PKK12※
○	PGPA426	40		
○	PGPA427	55	M6	PKK22※
○	PGPA428	60		
○	PGPA429	70		
○	PGPA453	80	M8	PKK32※
○	PGPA430	85		
○	PGPA431	90		
○	PGPA432	100		
○	PGPA433	120		

BRACKET FOR PKK SERIES

- Bracket to fix POWER GODZILLA PKK SERIES on vertical installation place
- Cut a pair of LINKs as drawing shows
- Contact us for information of how LINKs should be cut
- Available on request: Cut LINKs



Delivery	Item number	Connectable Type	Pitch k	m	n	LINK cut line q+0.5	u	t	bolt size
○	PGZ 22	PKK 22※	34	20	28	15	30.5	φ 6.1	M6
○	PGZ 32/52	PKK 32※	55	23	32	20	40.5	φ 8.1	M8
		PKK 53※	85	28	37	20			

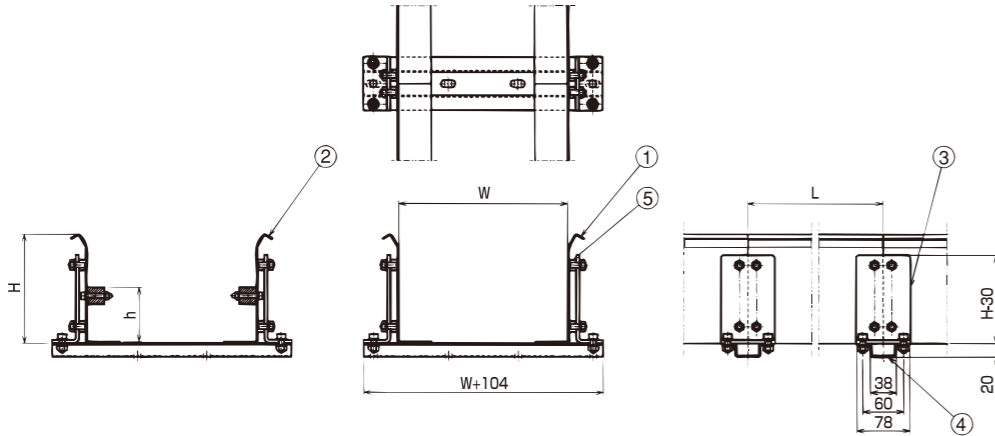


GUIDE CHANNEL FOR PKK SERIES

MATERIAL	SURFACE FINISH
Steel	Hot dipped zinc coating

- GUIDE CHANNEL for PKK SERIES
- To be used for long traveling
- To be installed with SLIDE RAIL (Non-metallic)
- GUIDE CHANNEL consists of ① to ⑤ as the drawing shows
- Availability of GUIDE CHANNEL: GUIDE CHANNEL with SLIDE RAIL / without SLIDE RAIL
- Refer to the page of INSTALLATION - section 5. BRIEF INSTRUCTION OF GUIDE CHANNEL & SLIDE RAIL INSTALLATION for more information

- Inside width of GUIDE CHANNEL (W): Refer to the page of PKK SERIES SIZE and find "b+2i" in the drawing which denotes the outer width of POWER GODZILLA. "W" shall be the Exact 6mm wider than "b+2i".
- Note: If "W" is wider than the limit, it may cause traveling difficulty of POWER GODZILLA.
- Available on request: Additional sizes, GUIDE CHANNEL for KOL SERIES

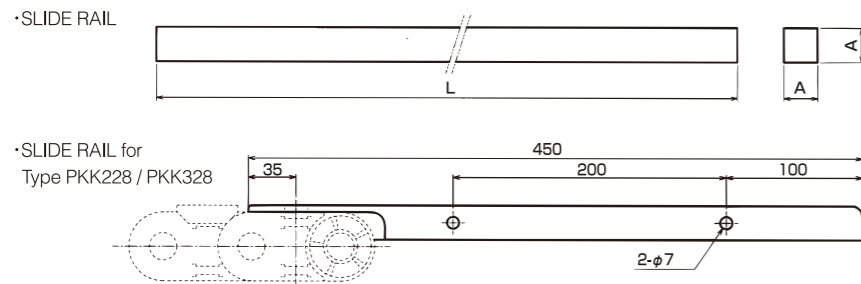


Delivery	Item number	Part name	Material	Designed for	H	h	L	SLIDE RAIL	
7	PGPA 480	① Side piece A	Hot dipped zinc coated steel	PKK221,228	100	—	2000	without Slide Rail	
7	PGPA 481			PKK321,328	150	—			
7	PGPA 482	② Side piece B		PKK221	100	50		with Slide Rail (Size 25 x 25mm)	
7	PGPA 483			PKK228	100	55			
7	PGPA 484			PKK321	150	75			
7	PGPA 485			PKK328	150	80			
7	PGPA 486	③ Plate		PKK22※	—	—		—	
7	PGPA 487			PKK32※	—	—			
7	PGPA 488	④ Rail		For all PKK SERIES	To be decided according to POWER GODZILLA product code				
○	PGPA 489	⑤ Fastening parts		For all PKK SERIES	Bolts, washers and etc.				

SLIDE RAIL FOR PKK SERIES

MATERIAL
PE (specially developed)

- Non-metallic SLIDE RAIL for PKK SERIES
- Designed for sliding movement
- Advantage of Non-metallic SLIDE RAIL: Reduce friction for sliding movement of POWER GODZILLA. Solution for difference in level between SLIDE RAILS
- No holes on SLIDE RAIL to fix, so cut a hall for your specification
- PGPA492 shall be selected for FIXED END SIDE of Type PKK228
- PGPA493 shall be selected for FIXED END SIDE of Type PKK328

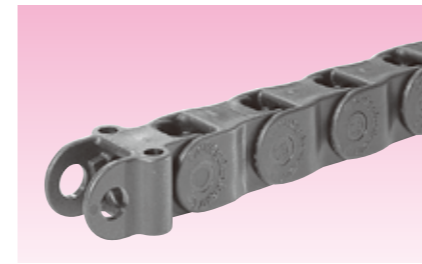


Delivery	Item number	Part name	Material	L	A
○	PGPA 490	SLIDE RAIL for PKK SERIES	PE	2000	25×25
7	PGPA 492	SLIDE RAIL for FIXED END SIDE of Type PKK228 (2 pieces per set)		450	25×25
7	PGPA 493	SLIDE RAIL for FIXED END SIDE of Type PKK328 (2 pieces per set)		450	25×25

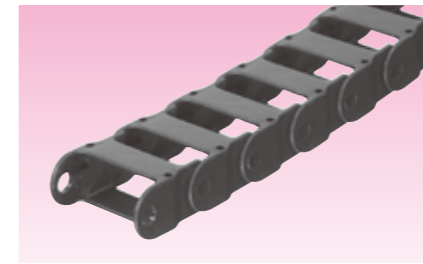
TYPE KOL

MAIN MATERIAL	COLOR	TEMPERATURE RANGE	ENVIRONMENT	FLAMMABILITY
PA6	Black	Lowest -15C ~Highest 80C	RoHS	UL94HB

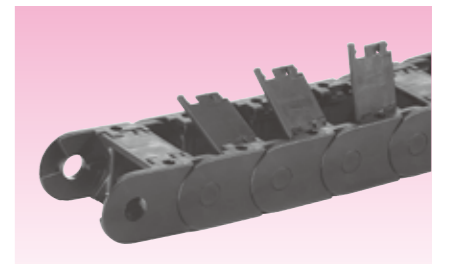
NON-METALLIC POWER GODZILLA - FOR LIGHT WEIGHT APPLICATION



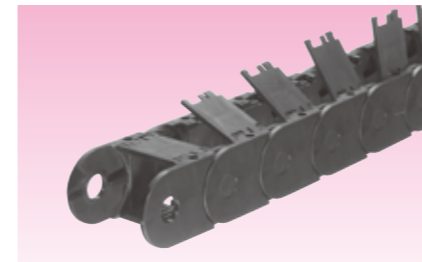
KOL 0.3/01.3



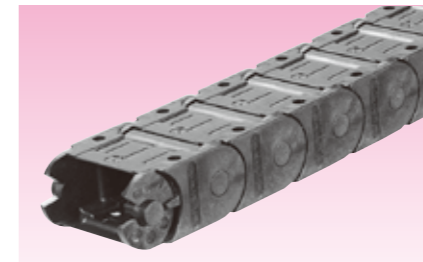
KOL 1.3/2.3/3.3



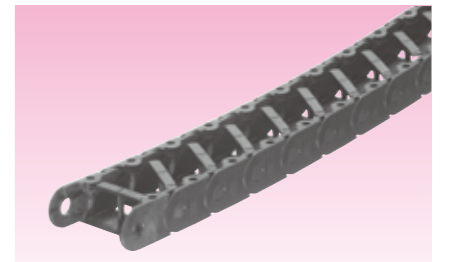
KOL 00.0/02.03/05.0/06.0/10.0/11.0/12.0/13.0/14.0



KOL 16/17/19.0/20.0/21.0/22.0/24.0/29.0



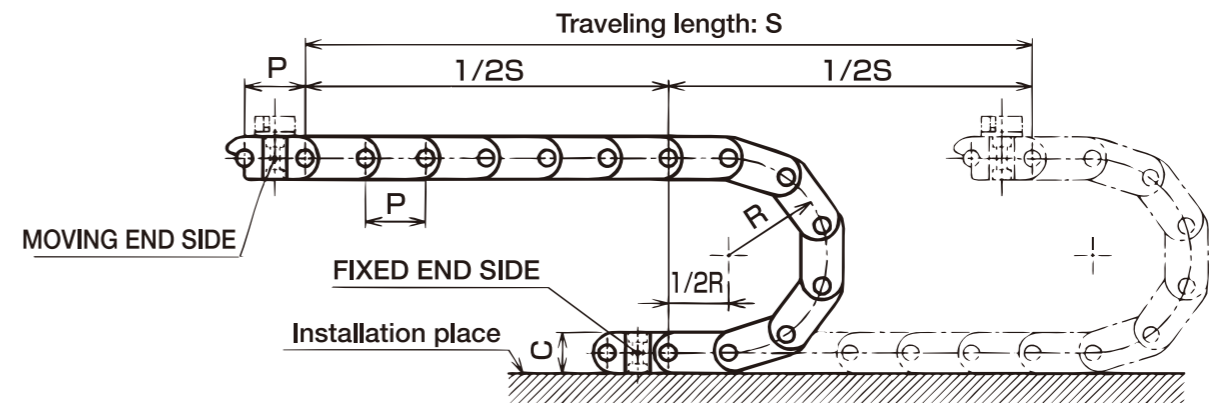
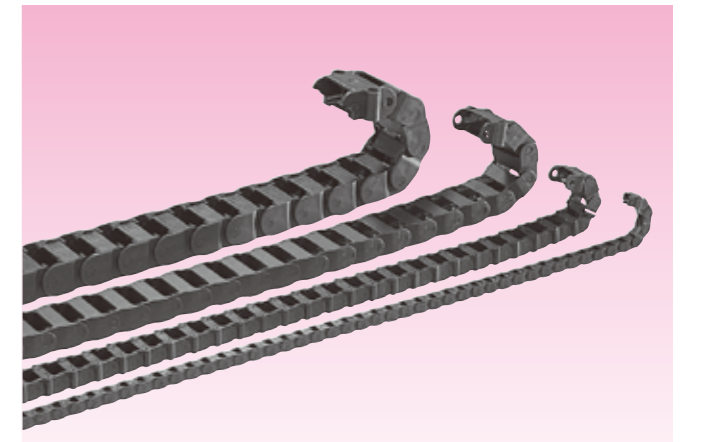
KOL 10.5/19.5/20.5/21.5/24.5/25.5/27.5



KOL 06.4

CHARACTERISTICS

- Suitable for short traveling and narrow space
- Good cost performance
- Available types:
 - Type 0.3, 01.3, 1.3, 2.3, 3.3 : Non-open-able type
 - Type 00, 0, 02, 03, 05.0, 06.0, 10.0, 11.0, 12.0, 13.0, 14.0 : Open on the inner radius side
 - Type 16, 17, 19.0, 20.0, 21.0, 22.0, 24.0, 29.0 : Open on the inner radius side
 - Type 10.5, 19.5, 20.5, 21.5, 24.5, 25.5, 27.5 : Open on the outer radius side
 - Type 06.4 : T-STAY open-able type
- Use GUIDE CHANNEL and SLIDE RAIL for long traveling
- Note: Contact us for information of what situation requires GUIDE CHANNEL and SLIDE RAIL
- Disconnection of LINKS / Shortening the length of POWER GODZILLA
 - Open SPACE BARS (or FLAP STAYS) on LINKs to be disconnected and also on some LINKs around the LINKs to be disconnected (except for Non-open-able type)
 - Insert a screwdriver (flat-shaped end) into LINKs
 - Pull it down toward you, and disconnect LINKs.



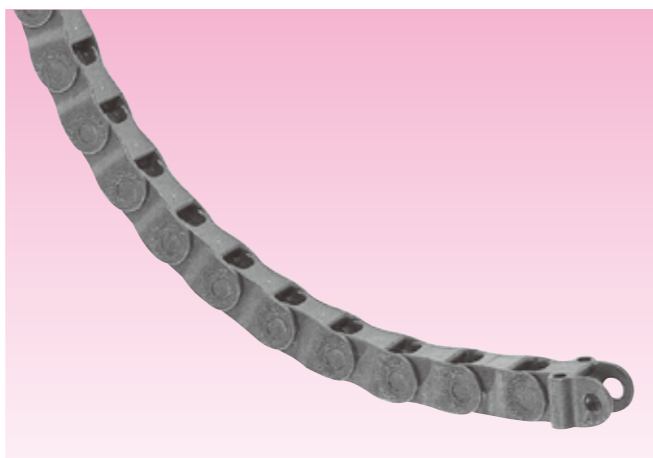
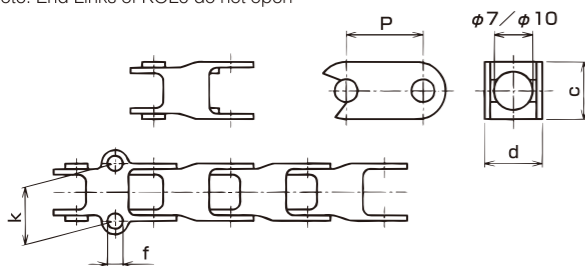
- The length of POWER GODZILLA (L): determined by $1/2 S + \pi R + R + 2P$, or longer
- Qty of LINKs: determined by L / P (Note: The remainder shall be rounded up)

TYPE KOL 00, 0, 0.3, 01.3, 1.3, 2.3, 3.3

MAIN MATERIAL	COLOR	TEMPERATURE RANGE	ENVIRONMENT	FLAMMABILITY
PA6	Black	Lowest -15°C ~Highest 80°C	RoHS	UL94HB

CHARACTERISTICS

- Thinner / light body
 - Lower abrasion
 - Extra end fittings are not required to fix POWER GODZILLA (Except KOL0 and KOL0.3) to machinery / an installation place
 - LINKs of KOL01.3 (with holes each LINK to fix) is used as END LINKs of KOL0 and KOL0.3)
 - Only KOL0 and KOL00 are Open-able type
- Note: End LINKs of KOL0 do not open

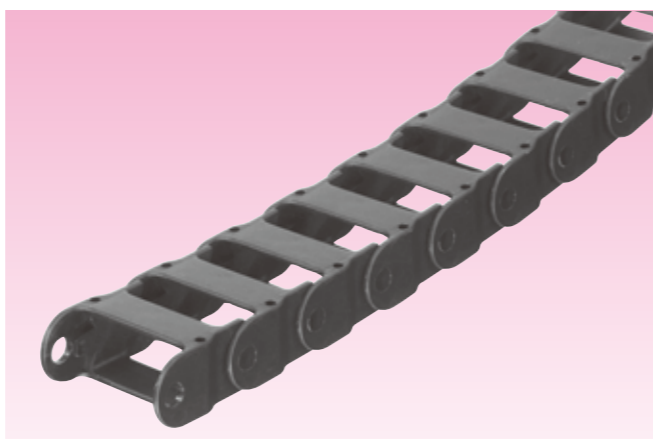
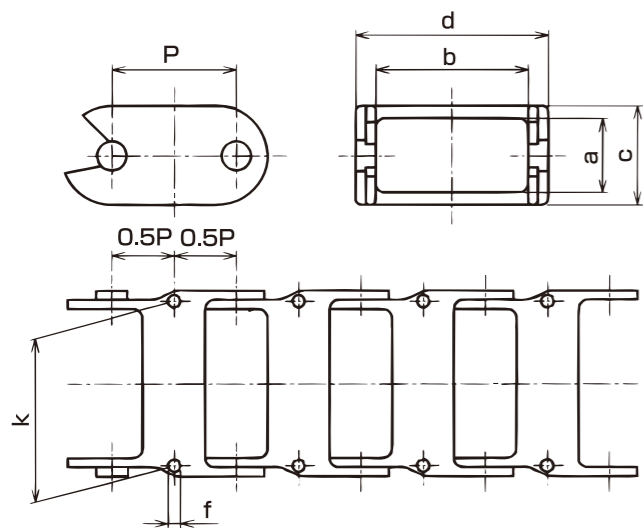


· LINKs of KOL01.3 is used as END LINKs of KOL0 and KOL0.3)

Delivery	Type	Bend radius availability	Pitch P	Inside		Outside		To fix		Weight (kg/m)
				Height a	Width b	Height c	Width d	Hole size to fix f	Pitch k	
⊙	KOL 00	15/30	15	φ 7	10	12	3.1(M3)	12	0.1	
⊙	KOL 0.3	20/30	20	φ 10	15	15	4.2(M4)	15	0.13	
⊙	KOL 0	20/30	20	φ 10	15	15	4.2(M4)	15	0.13	

PRODUCT CODE KOL0.3 / 30 x 45P - C

KOL0.3 ... Type KOL0.3 45P ... Qtys of Links
30 ... Bending radius - C ... END LINKs
*Note: For KOL01.3, 45P is inclusive of END LINKs



· DIVIDER - type PDV24 is available to sort cables inside POWER GODZILLA (only available for KOL2.3 and KOL3.3)
· DIVIDER - type PDV24 is usually connected on every 2 LINKs

Delivery	Type	Bend radius availability	Pitch P	Inside		Outside		To fix		Weight (kg/m)
				Height a	Width b	Height c	Width d	Hole size to fix f	Pitch k	
⊙	KOL 01.3	30	20	φ 10	15	22	4.2(M4)	15	0.15	
⊙	KOL 1.3	40/100/200	40	24	18	30	4.2(M4)	23	0.5	
⊙	KOL 2.3	40/100/200	40	24	48	30	4.2(M4)	53	0.6	
⊙	KOL 3.3	40/100/200	40	24	78	30	4.2(M4)	83	0.7	

PRODUCT CODE KOL2.3 / 100 x 35P + (PDV24 x 1) - N

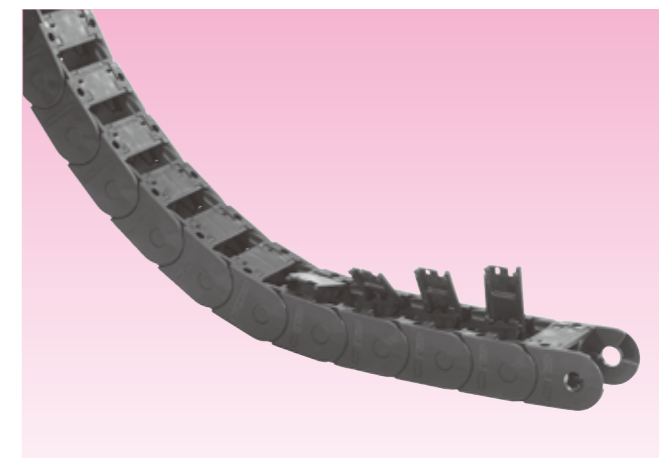
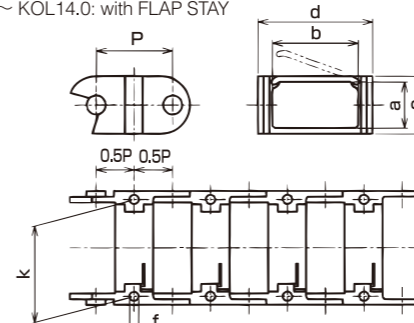
KOL2.3 ... Type KOL2.3 (PDV24 x 1) ... (DIVIDER type PDV24 x 1)
100 ... Bending radius - N ... Movement
35P ... Qtys of Links
· DIVIDER type PDV24 is usually used for every 2nd LINK

TYPE KOL 02~14.0

MAIN MATERIAL	COLOR	TEMPERATURE RANGE	ENVIRONMENT	FLAMMABILITY
PA6	Black	Lowest -15°C ~Highest 80°C	RoHS	UL94HB

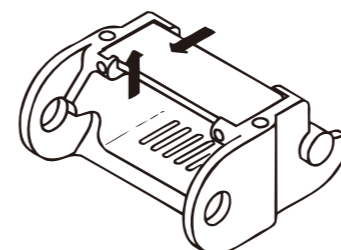
CHARACTERISTICS

- Open-able type (Open on the inner radius side)
- Easily to put cables inside POWER GODZILLA
- With holes on each LINK to fix POWER GODZILLA to machinery / an installation place so that Extra end fittings are not required
- Lower abrasion
- PINCH STAY is available to sort cables inside POWER GODZILLA (only available for KOL10.0 ~ KOL14.0)
- KOL10.0 ~ KOL14.0: with FLAP STAY



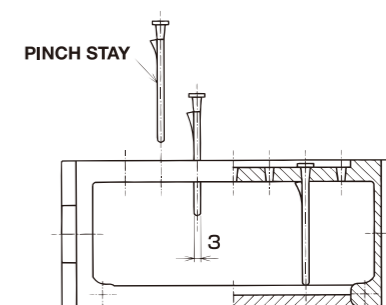
Delivery	Type	Bend radius availability	Pitch P	Inside		Outside		To fix		Weight (kg/m)
				Height a	Width b	Height c	Width d	Hole size to fix f	Pitch k	
⊙	KOL 02	20/30	20	10	24	15	37	4.2(M4)	30	0.2
⊙	KOL 03	20/30	20	10	39	15	51	4.2(M4)	44	0.28
⊙	KOL 05.0	35/50/70	26	17	27	22	38	4.2(M4)	32.4	0.34
⊙	KOL 06.0	35/50/70	26	17	37	22	48	4.2(M4)	42.4	0.37
⊙	KOL 10.0	40/75/100/150/200	35	23	34	30	50	5.2(M5)	40	0.54
⊙	KOL 11.0	40/75/100/150/200	35	23	44	30	60	5.2(M5)	50	0.61
⊙	KOL 12.0	40/75/100/150/200	35	23	64	30	80	5.2(M5)	70	0.65
⊙	KOL 13.0	40/75/100/150/200	35	23	79	30	95	5.2(M5)	85	0.75
⊙	KOL 14.0	40/75/100/150/200	35	23	109	30	125	5.2(M5)	115	0.87

SPACE BAR (KOL02~03)



- Instruction to open SPACE BAR (as per the drawing)
 - ① Find a groove around a mark "Heben"
 - ② Insert a screwdriver (flat-shaped end) into the groove
 - ③ Push SPACE BAR forward while pushing up the screwdriver
- Instruction to close SPACE BAR
 - ① Until SPACE BAR is completely fastened by means of a latch, push it down while moving it forward

· PINCH STAY to divide the space inside POWER GODZILLA (for KOL10.0 ~ KOL14.0)



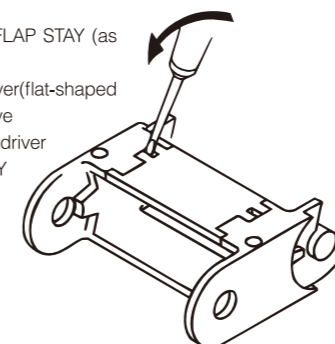
PRODUCT CODE KOL12.0 / 100 x 35P + (PPS x 2) - S

KOL12.0 ... Type KOL12.0 (PPS x 2) ... (PINCH STAY x Qtys)
100 ... Bending radius - S ... Movement
35P ... Qtys of Links

· PINCH STAY is usually used for every 2nd LINK

FLAP STAY (KOL05.0~14.0)

- Instruction to open FLAP STAY (as per the drawing)
 - ① Insert a screwdriver (flat-shaped end) into the groove
 - ② Push up the screwdriver to open FLAP STAY

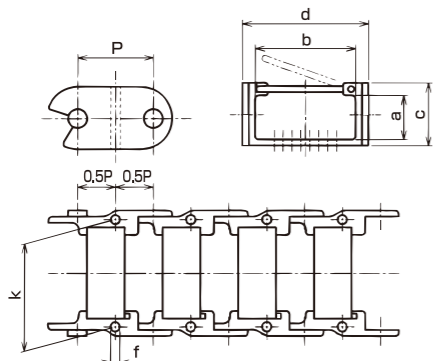


TYPE KOL 16,17,19.0~22.0,24.0,29.0

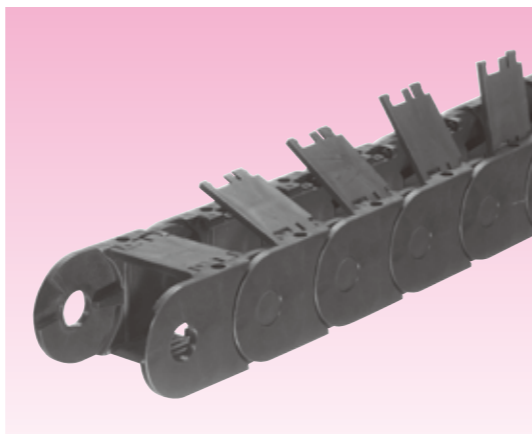
MAIN MATERIAL	COLOR	TEMPERATURE RANGE	ENVIRONMENT	FLAMMABILITY
PA6	Black	Lowest -15°C ~Highest 80°C	RoHS	UL94HB

CHARACTERISTICS

- Open-able type (Open on the inner radius side)
- KOL19.0 ~ KOL29.0 with FLAP STAY: a screwdriver (flat-shaped end) is required to open FLAP STAY
- KOL16, KOL17: SPACE BAR can be opened by hand
- Available on request:
 - Non-open-able type KOL16.3
 - Non-open-able type KOL17.3

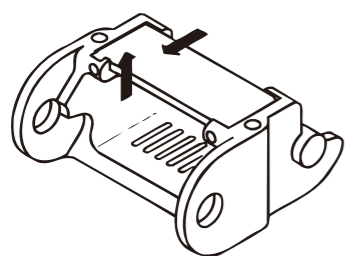


- Typical application for KOL16.3, KOL17.3: Typically used in situations where pressurized oil hoses can force the SPACE BAR to open
- With holes on each LINK to fix POWER GODZILLA to machinery / an installation place so that Extra end fittings are not required
- Lower abrasion
- PINCH STAY is available to sort cables inside POWER GODZILLA



Delivery	Type	Bend radius availability	Pitch P	Inside		Outside		To fix		Weight (kg/m)
				Height a	Width b	Height c	Width d	Hole size to fix f	Pitch k	
⊙	KOL 16	60/125/250	50	28	59	40	75	5.2(M5)	65	1.05
⊙	KOL 17	60/125/250	50	28	109	40	125	5.2(M5)	115	1.3
⊙	KOL 19.0	75/100/150/200/250	55	38	78	50	95	6.3(M6)	85	1.35
⊙	KOL 20.0	75/100/150/200/250	55	38	133	50	150	6.3(M6)	140	1.57
⊙	KOL 21.0	75/100/150/200/250	55	38	48	50	65	6.3(M6)	55	1.3
⊙	KOL 22.0	75/100/150/200/250	55	38	108	50	125	6.3(M6)	115	1.52
⊙	KOL 24.0	200	70	50	77	65	95	6.3(M6)	85	1.68
⊙	KOL 29.0	100/125/150/200/300	70	50	205	65	225	6.3(M6)	215	2.71

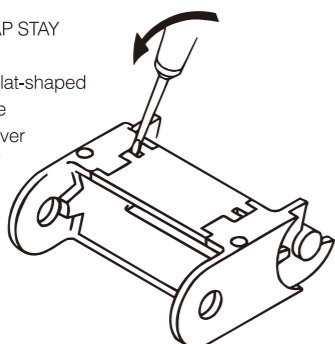
SPACE BAR (KOL16,KOL17)



- Instruction to open SPACE BAR (as per the drawing)
 - Slide SPACE BAR by hand
- Instruction to close SPACE BAR
 - Until SPACE BAR is completely fastened by means of a latch, push it down while moving it forward

FLAP STAY (KOL19.0~29.0 and KOL※5)

- Instruction to open FLAP STAY (as per the drawing)
 - Insert a screwdriver (flat-shaped end) into the groove
 - Push up the screwdriver to open FLAP STAY

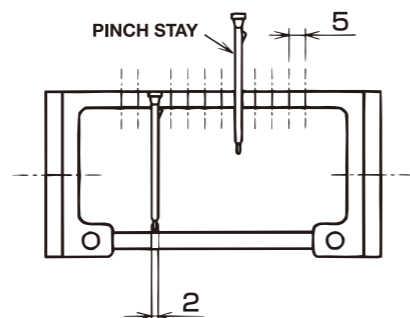


PRODUCT CODE

KOL17 / 125 x 48P + (PPS x 2) - S
 KOL17 ... Type KOL17 (PPS x 2) ... (PINCH STAY x Qty)
 125 ... Bending radius -S ... Movement
 48P ... Qty of Links
 •PINCH STAY is usually used for every 2nd LINK

PINCH STAY PPS ASSEMBLY INSTRUCTION

- Put PINCH STAY into holes on the outer radius side of LINKS
 Note: For KOL※5, Put PINCH STAY into holes on the inner radius side of LINKS
- Push it down until PINCH STAY is completely fastened by means of a latch
 •Note: PINCH STAY is usually used for every 2nd LINK
 •Note: PINCH STAY can be assembled even after cable insertion

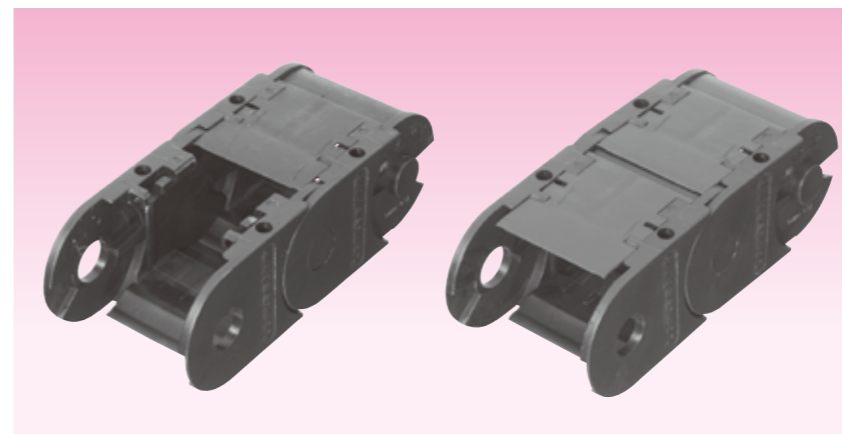


TYPE KOL 10.5, 19.5, 20.5, 21.5, 24.5, 25.5, 27.5

MAIN MATERIAL	COLOR	TEMPERATURE RANGE	ENVIRONMENT	FLAMMABILITY
PA6	Black	Lowest -15°C ~Highest 80°C	RoHS	UL94HB

CHARACTERISTICS

- Open-able type (Open on the outer radius side)
- with FLAP COVERS
- Closed construction
- With holes on each LINK to fix POWER GODZILLA to machinery / an installation place so that Extra end fittings are not required
- Lower abrasion



Delivery	Type	Bend radius availability	Pitch P	Inside		Outside		To fix		Weight (kg/m)
				Height a	Width b	Height c	Width d	Hole size to fix f	Pitch k	
⊙	KOL 10.5	60/75/100/150	35	20	33	30	50	5.2(M5)	40	0.7
⊙	KOL 19.5	100/150/200/250	55	38	78	50	95	6.3(M6)	85	1.8
⊙	KOL 20.5	100/150/200/250	55	38	130	50	150	6.3(M6)	140	2.2
⊙	KOL 21.5	100/150/200/250	55	38	48	50	65	6.3(M6)	55	1.3
⊙	KOL 24.5	125/150/200/300	70	50	77	65	95	6.3(M6)	85	2.2
⊙	KOL 25.5	125/150/200/300	70	50	117	65	135	6.3(M6)	125	2.6
⊙	KOL 27.5	125/150/200/300	70	50	177	65	195	6.3(M6)	185	3.0

PINCH STAY is available to sort cables inside POWER GODZILLA

PRODUCT CODE

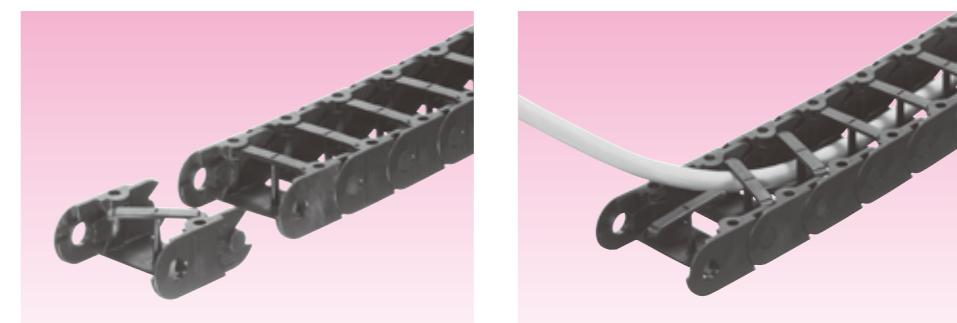
KOL21.5 / 100 x 48P + (PPS x 2) - N
 KOL21.5 ... Type KOL21.5 (PPS x 2) ... (PINCH STAY x Qty)
 100 ... Bending radius -N ... Movement
 48P ... Qty of Links
 •PINCH STAY is usually used for every 2nd LINK

TYPE KOL 06.4

MAIN MATERIAL	COLOR	TEMPERATURE RANGE	ENVIRONMENT	FLAMMABILITY
PA6	Black	Lowest -15°C ~Highest 80°C	RoHS	UL94HB

CHARACTERISTICS

- T-STAY open-able type
- T-STAY can be opened by hand
- With holes on each LINK to fix POWER GODZILLA to machinery / an installation place so that Extra end fittings are not required



PRODUCT CODE

KOL06.4 / 35 x 35P - N
 KOL06.4 ... Type KOL06.4 35P ... Qty of Links
 35 ... Bending radius -N ... Movement

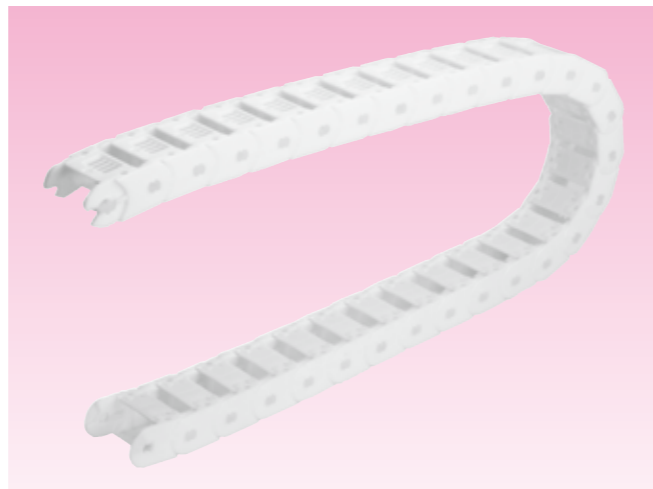
Delivery	Type	Bend radius availability	Pitch P	Inside		Outside		To fix		Weight (kg/m)
				Height a	Width b	Height c	Width d	Hole size to fix f	Pitch k	
⊙	KOL 06.4	35/70	30	17	2 sections x18	22	48	4.2(M4)	41	0.34

TYPE KOR

NON-METALLIC POWER GODZILLA - FOR CLEANLINESS REQUIREMENT

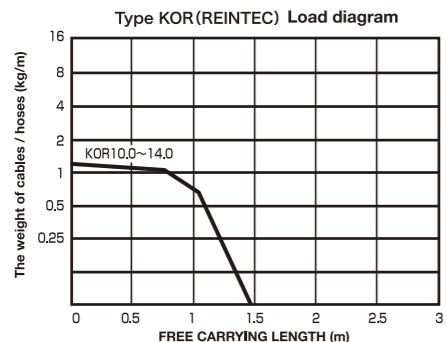
CHARACTERISTICS

- KOR (KOLIBRI REINTEC)
- Friction free connection with TPU torsion bearing ELTOLA
- Quiet running
- Prevention of abrasion
- Low vibration
- Designed for application which requires cleanliness
- Suitable for application for the Semiconductor industry / Food industry / Textile (fiber)industry
- IPA Qualification Certificate
US Fed.std.209E(1988):class1
VDI 2083-1(1004):class1
- Suitable for short traveling



MAIN MATERIAL	COLOR	TEMPERATURE RANGE	FLAMMABILITY	APPLICATION
PA66	Ivory white	Lowest -15C ~Highest 80C	UL94HB	Clean place

Delivery	Type	Bend radius availability	Pitch P	Inside		Outside		To fix		Weight (kg/m)
				Height a	Width b	Height c	Width d	Hole size to fix f	Pitch k	
⊙	KOR 10.0	75/100	35	23	34	30	50	5.1 (M5)	40	0.49
⊙	KOR 11.0	75/100	35	23	44	30	60	5.1 (M5)	50	0.52
⊙	KOR 12.0	75/100	35	23	64	30	80	5.1 (M5)	70	0.59
⊙	KOR 13.0	75/100	35	23	79	30	95	5.1 (M5)	85	0.64
⊙	KOR 14.0	75/100	35	23	109	30	125	5.1 (M5)	115	0.74



- This LOAD DIAGRAM apply only to movement type N
- KOR SERIES can not be used for movement type W

PRODUCT CODE

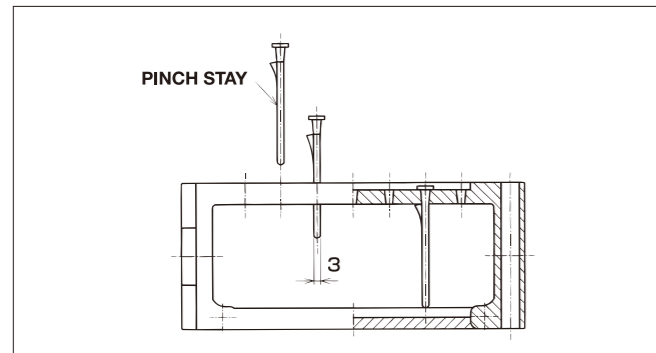
KOR11.0 / 100 x 20P + (PPS x 2) - N
 KOR11.0 ... Type KOR11.0 (PPS x 2) ... (PINCH STAY x Qtys)
 100 ... Bending radius - N ... Movement
 20P ... Qtys of Links
 · PINCH STAY is usually used for every 2nd LINK

IPA Qualification Certificate

FLAP STAY

Please refer to the page for KOL10.0 ~ KOL14.0 for more information

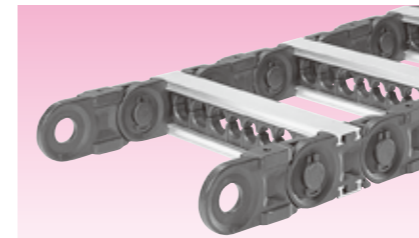
· PINCH STAY to divide the space inside POWER GODZILLA



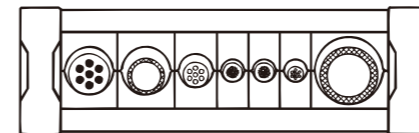
· Material for PINCH STAY: PA6 (color: Black)

TYPE PL

NON-METALLIC POWER GODZILLA - REINFORCED CONSTRUCTION



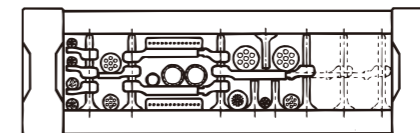
PLE 220/320/520



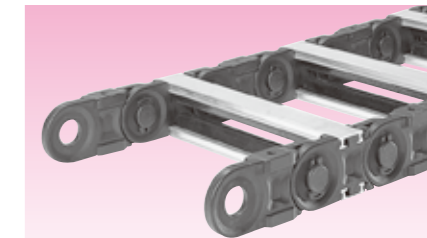
INSERT



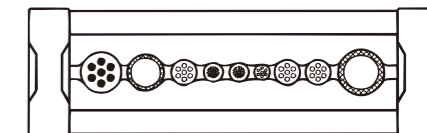
PLP 220/320/520



DIVIDER



PLS 220/320/520

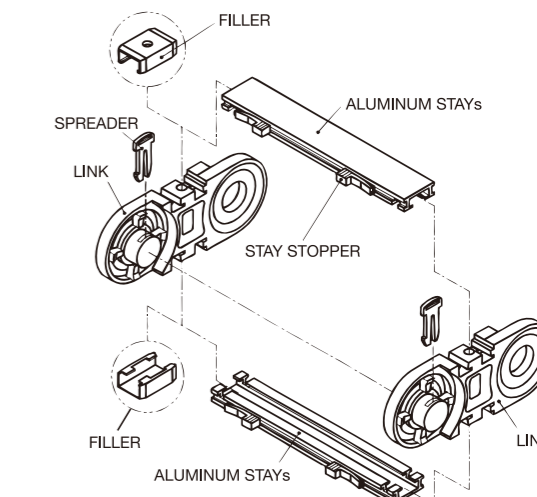
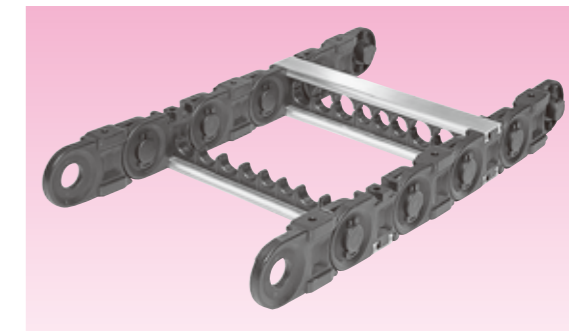


FOAM STAY

MAIN MATERIAL	COLOR	TEMPERATURE RANGE	ENVIRONMENT	FLAMMABILITY
PA6	Black	Lowest -15C ~Highest 80C	RoHS	UL94HB

CHARACTERISTICS

- Suitable for long traveling
- The most recommended SERIES among non-metallic POWER GODZILLA in terms of weight of load to be put inside POWER GODZILLA
- With ALUMINUM STAYS assembled on every 2 pairs of LINKs
- FILLERS are assembled on LINKs where ALUMINUM STAYS are not assembled
- With holes (for M6/M8 bolt) on each LINK to fix POWER GODZILLA to machinery / an installation place so that Extra end fittings are not required
- Use GUIDE CHANNEL and SLIDE RAIL for longer traveling
- Note: Contact us for information of what situation requires GUIDE CHANNEL and SLIDE RAIL
- Construction: Main assembly parts:
Non-metallic LINKs, ALU-C-PROFILE (ALUMINUM STAYS), SPREADERS, INNER STAYS
- How to read the Type Code:
PLE/PLP/PLS + Size code
- Available types decided by INNER STAYS:
PLE : With INSERT STAYS
PLP : With DIVIDERS
PLS : With FORM STAYS
- Available on request: PL with both INSERT STAYS and DIVIDERS
- Size : 3 sizes are available for each of the types according to inside height between UPPER and LOWER ALUMINUM STAYS (refer to the drawing on the page for INNER STAYS. "a" denotes inside height between UPPER and LOWER Aluminum STAYS)
220 = Inside height 31mm, 320 = Inside height 49mm, 520 = Inside height 68mm
- ALUMINUM STAY length between inner walls of LINKs: Available from 50mm to 600mm in increments of 5mm (refer to the drawing on the page for INNER STAYS. "b" denotes the inside width of POWER GODZILLA. ALUMINUM STAY length between inner walls of LINKs is the equivalent of "b")
- Horizontally connectable.
- Possible to put cables inside POWER GODZILLA from the inner and outer radius sides after take off ALUMINUM STAY
- Assembly / disconnection of ALUMINUM STAYS can be done easily
- Disconnection of LINKs: Should shortening the length of POWER GODZILLA be required, take out SPREADER from LINKs and disconnect them
- Fix POWER GODZILLA to machinery / an installation place with bolts (There are holes for bolts on LINKs. The hole size is depending on types of POWER GODZILLA: M6, or M8)



· INSTRUCTION FOR ASSEMBLY AND DISCONNECTION OF ALU-C-PROFILE (ALUMINUM STAYS)

ASSEMBLY OF ALUMINUM STAYS
(Refer to the drawing 1 to 3)

- 1 Connect ALUMINUM STAYS to LINKs
- 2 Slide the ALUMINUM STAYS toward 2
- 3 Slide the STAY STOPPERS to fasten ALUMINUM STAYS completely

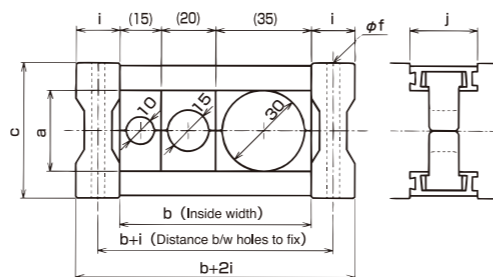
DISCONNECTION OF ALUMINUM STAYS
(Refer to the drawing 4 to 5)

Reverse the order of INSTRUCTION FOR ASSEMBLY OF ALUMINUM STAYS

INNER STAYS FOR PL

PLE 220/320/520 INSERT

- INSERT PI
- Designed to sort cables inside POWER GODZILLA
- Non-metallic cubes with openings
- Consist of upper and lower part
- Size of opening available:
 - For PLE 220 : From ϕ 10mm to 30mm in increments of 5mm
 - For PLE 320 : From ϕ 10mm to 45mm in increments of 5mm
 - For PLE 520 : From ϕ 10mm to 65mm in increments of 5mm
- Width of cube: 5mm bigger than opening size (e.g. Width of cube with an opening ϕ 30mm is 35mm)
- The minimum opening size shall be 1.1 times as big as the outside diameter of a cable to be inserted
- The minimum opening size shall be 1.2 times as big as the outside diameter of a hose to be inserted
- Refer to the drawing. "b" denotes the inside width of POWER GODZILLA:



• How to read the product code:
PLE220 / 150 x 39P + PI (10x1 + 15x1 + 30x1) - S

PLE220 ... Type PLE 220
 150 ... Bending radius
 39P ... Qty of Links
 PI (10x1 + 15x1 + 30x1) ... INSERT STAY PI (Opening size ϕ x Qty of cube)
 - S ... Movement

- Refer to the page of POWER GODZILLA MOVEMENT for information of Movement
- Available on request: Should only INSERT STAY PI be required, item no. will be: PI + Size code + Opening size ϕ
 e.g. PI 320 / 15 denotes Size code 320 + Opening size ϕ 15
- Contact us for style selection

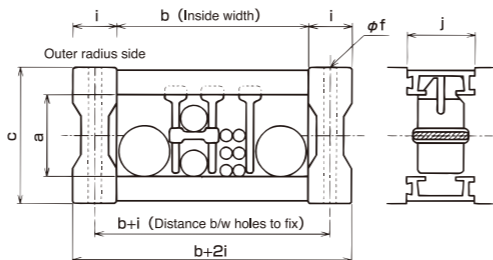
PLP 220/320/520 DIVIDER PDV / PDH

- DIVIDER PDV / PDH
- Designed to sort cables inside POWER GODZILLA
- Refer to DIVIDER section for more information

• How to read the product code:
PLP220 / 100 / 255 x 34P + (PDV X 3 + PDH55 X 1) - N

PLP220 ... Type PLP 220
 100 ... Bending radius
 255 ... Inside width of POWER GODZILLA.
 ALUMINUM STAY length between inner walls of LINKs (refer to "b" in the drawing)
 34P ... Qty of Links
 (PDV X 3 + PDH55 X 1) ... (DIVIDER type PDV x Qty + DIVIDER type PDH55 x Qty)
 - N ... Movement

- Refer to the page of POWER GODZILLA MOVEMENT for information of Movement
- Contact us for style selection



PLS 220/320/520 FOAM STAY

- FOAM STAY
- Consists of upper and lower FORM
- Designed to pinch and hold cables / hoses between upper and lower FOAM
- Suitable for highly frequent traveling of POWER GODZILLA
- The gap between upper and lower FOAM (in cable & hose free condition): 8mm
- Cable & hose max. outside diameter to be inserted: Refer to the page of CONSTRUCTION SUMMARY
- Cable & hose min. outside diameter to be inserted: Avoid inserting any cables / hoses with such a small outside diameter that they are not pinched or held stably enough by upper and lower FOAM

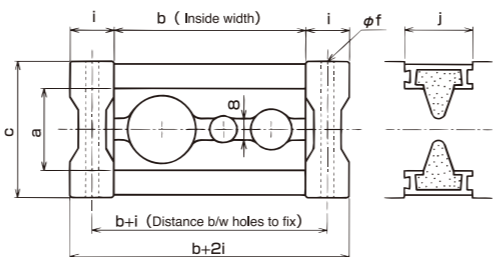
FORM for each of the cables / hoses' positions (except the smallest diameter-cable) in order to make FORM to pinch and hold the cables / hoses stably enough.

- Contact us for information of the FORM cutting instruction

• How to read the product code:
PLS320 / 200 / 245 x 25P - N

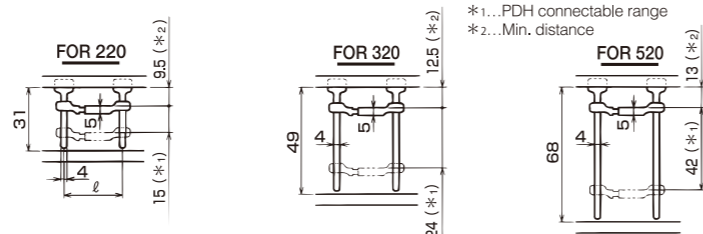
PLS320 ... Type PLS 320
 200 ... Bending radius
 245 ... Inside width of POWER GODZILLA. ALUMINUM STAY length between inner walls of LINKs (refer to "b" in the drawing)
 25P ... Qty of Links
 - N ... Movement

- Refer to the page of POWER GODZILLA MOVEMENT for information of Movement
- Contact us for style selection

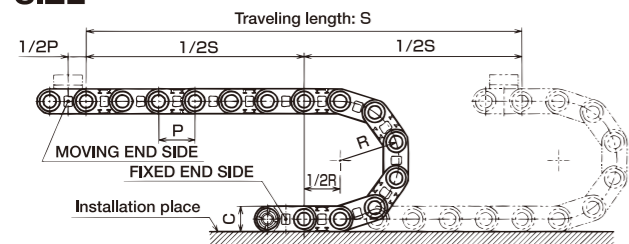


DIVIDER

- DIVIDER
- PDH55 extends from 55mm to 80mm / PDH75 extends from 75mm to 100mm
- PDH can be repositioned vertically in increments of 3mm
- PDV availability (3 kinds in size): PDV220 for PLP220, PDV320 for PLP320, PDV520 for PLP520
- PDH availability (2 types in length): PDH55, PDH75



SIZE



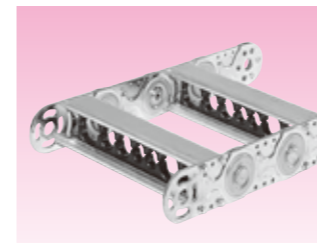
Delivery	Type	Bend radius availability	Pitch P	Inside height a	Outside height c	f	i	j	l
☑	PLE/PLS/PLP 220	75/100/150/200/300	75	31	50	6.3(M6)	16	25	55 80
☑	PLE/PLS/PLP 320	150/200/250/300/400	100	49	75	8.3(M8)	20	28	75 100
☑	PLE/PLS/PLP 520	200/250/300/400/500	125	68	100	8.3(M8)	24	31	100

- The length of POWER GODZILLA (L): determined by $1/2 S + \pi R + 2P$, or longer
- Qty of LINKs: determined by L / P (Note: The remainder shall be rounded up)

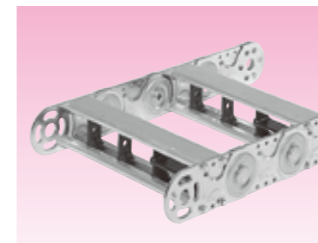
TYPE KL

METALLIC POWER GODZILLA

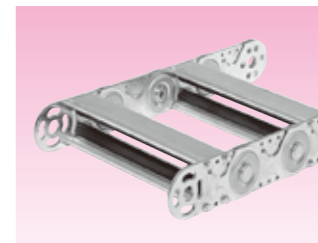
MATERIAL	SURFACE FINISH	TEMPERATURE RANGE
Steel	Electroplated zinc	Lowest -15°C Highest 150°C



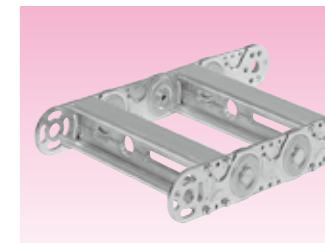
KLE 220/320/520



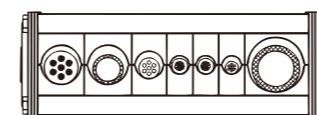
KLP 120/220/320/520/620



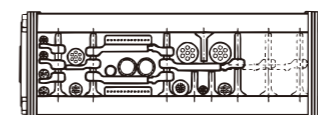
KLS 220/320/520



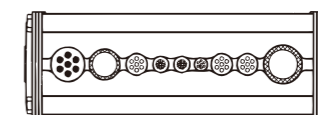
KLA 220/320/520/620



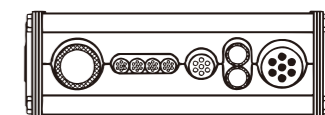
INSERT



DIVIDER



FOAM STAY



T-STYLE ALUMINUM STAY (T-PROFILE)

CHARACTERISTICS

- Suitable for long traveling
- The most recommended SERIES among POWER GODZILLA for installation where heavier cables/hoses are required to be loaded inside POWER GODZILLA
- With ALUMINUM STAYS assembled on every 2 pairs of LINKs
- END FITTINGS are required to fix POWER GODZILLA
- Use GUIDE CHANNEL and SLIDE RAIL for longer traveling
- Note: Contact us for information of what situation requires GUIDE CHANNEL and SLIDE RAIL
- Construction: Main assembly parts: Metallic LINKs, ALU-C-PROFILE (ALUMINUM STAYS), INNER STAYS

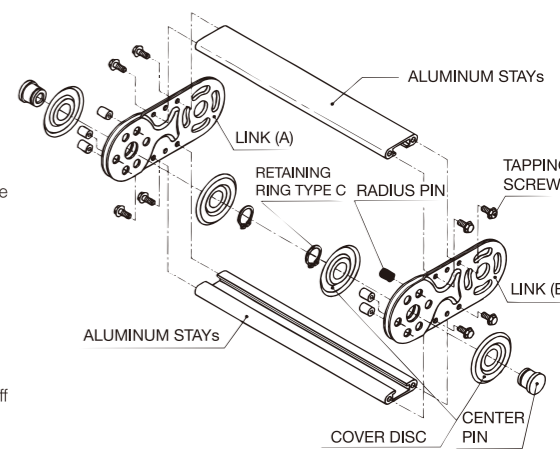
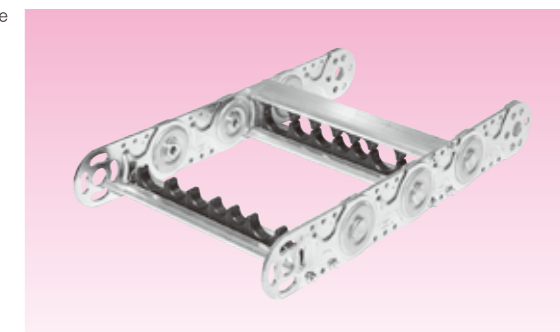
• How to read the Type Code:
 PLE/PLP/PLS + Size code

- Available types decided by INNER STAYS:
 KLE : With INSERT STAYS
 KLP : With DIVIDERS
 KLS : With FORM STAYS
 KLA : With T-STYLE ALUMINUM STAYS
- Available on request:
 KL with both INSERT STAYS and DIVIDERS
 KL with Stainless steel LINKs

• Size : 5 sizes are available according to the height of LINKs (refer to the drawing on the page for INNER STAYS. "c" denotes the height of LINKs)
 120 = height 35mm, 220 = height 50mm, 320 = height 75mm, 520 = height 100mm, 620 = height 150mm

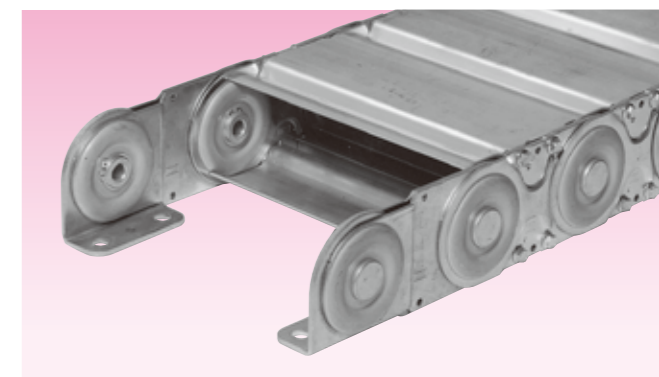
- The radius can be re-arranged by changing the positions of each RADIUS PIN. Refer to the chart in the section of "SIZE OF KL / END FITTING TO FIX" for information of radius
- Disconnection of LINK
 1) Take off RETAINING RING TYPE C
 2) Take COVER DISC out
 3) Note the position of each RADIUS PIN before disconnection.
 4) LINK will be disconnection by removing CENTER PIN
- Length of ALUMINUM STAYS : Available from 50mm to 600mm in increments of 5mm
- Horizontally connectable.

- Possible to put cables inside POWER GODZILLA from the inner and outer radius sides after take off ALUMINUM STAY by taking out 4 TAPPING SCREWS
- Assembly / disconnection of ALUMINUM STAYS can be done easily
- Disconnection of LINKs: Should shortening the length of POWER GODZILLA be required, take out SPREADER from LINKs and disconnect them
- Fix POWER GODZILLA to machinery / an installation place with bolts



COVERED TYPE

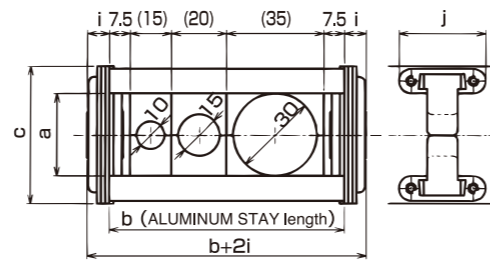
- Cable carriers with INNER/OUTER COVERS in stead of ALU-C-PROFILE (ALUMINUM STAYS)
- Metallic LINKs, ALUMINUM INNER/OUTER COVERS
- Dust particle protection
- Available types decided by INNER STAYS:
 KLE※※5 : With INSERT STAYS
 KLP※※5 : With DIVIDERS
 KLS※※5 : With FORM STAYS



INNER STAYS FOR KL

KLE 220/320/520 INSERT (COVERED TYPE : KLE225/325/525)

- INSERT PI
- Designed to sort cables inside POWER GODZILLA
- Non-metallic cubes with openings
- Consist of upper and lower part
- Size of opening available:
 - For KLE 220 : From ϕ 10mm to 30mm in increments of 5mm
 - For KLE 320 : From ϕ 10mm to 45mm in increments of 5mm
 - For KLE 520 : From ϕ 10mm to 65mm in increments of 5mm
- Width of cube: 5mm bigger than opening size (e.g. Width of cube with an opening ϕ 15mm is 20mm)
- The minimum opening size shall be 1.1 times as big as the outside diameter of a cable to be inserted
- The minimum opening size shall be 1.2 times as big as the outside diameter of a hose to be inserted
- Refer to the drawing. "b" denotes the length of ALUMINUM STAY (= the total width of cubes + 15mm)



• How to read the product code:

KLE220 / 250 x 75P + PI (10x1 + 15x1 + 30x1) - N/N - S

KLE220 ... Type KLE 220 PI (10x1 + 15x1 + 30x1) ... INSERT STAY PI (Opening size ϕ x Qtys of cube)
 250 ... Bending radius N.N ... END FITTINGS
 75P ... Qtys of Links - S ... Movement

- Refer to the page of POWER GODZILLA MOVEMENT for information of Movement
- Available on request: Should only INSERT STAY PI be required, item no. will be: PI + Size code + Opening size ϕ
 e.g. PI 520 / 20 denotes Size code 520 + Opening size ϕ 20
- Contact us for style selection

KLP 120/220/320/520/620 DIVIDER PDV / PDH (COVERED TYPE : KLP225/325/525/625)

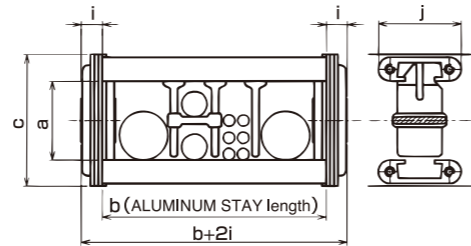
- DIVIDER PDV / PDH
- Designed to sort cables inside POWER GODZILLA

• How to read the product code:

KLP520 / 400 / 200 x 55P + (PDV X 3 + PDH55 X 1) - N/A - N

KLP520 ... Type KLP 520 (PDV X 3 + PDH55 X 1) ... (DIVIDER type PDV x Qtys +
 400 ... Bending radius DIVIDER type PDH55 x Qtys)
 200 ... Length of ALUMINUM STAYS N/A ... END FITTINGS
 55P ... Qtys of Links - N ... Movement

- Refer to the page of POWER GODZILLA MOVEMENT for information of Movement
- Contact us for style selection



KLS 220/320/520 FOAM STAY (COVERED TYPE : KLS225/325/525)

- FOAM STAY
- Consists of upper and lower FORM
- Designed to pinch and hold cables / hoses between upper and lower FOAM
- Suitable for highly frequent traveling of POWER GODZILLA
- The gap between upper and lower FOAM (in cable & hose free condition): 8mm
- Cable & hose max. outside diameter to be inserted: Refer to the page of CONSTRUCTION SUMMARY
- Cable & hose min. outside diameter to be inserted: Avoid inserting any cables / hoses with such a small outside diameter that they are not pinched or held stably enough by upper and lower FOAM

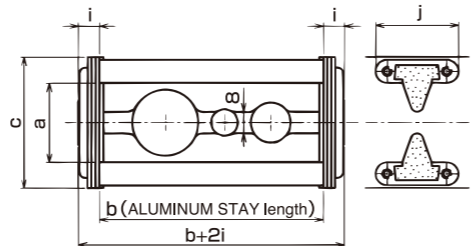
- Installation of cables / hoses with different outer diameters from each other: In this case, cut a moderate-size semicircular opening in upper and lower FORM for each of the cables / hoses' positions (except the smallest diameter-cable) in order to make FORM to pinch and hold the cables / hoses stably enough.
- Contact us for information of the FORM cutting instruction

• How to read the product code:

KLS520 / 250 / 250 x 55P - D/E - H

KLS520 ... Type KLS 520 250 ... Length of ALUMINUM STAYS D/E ... END FITTINGS
 250 ... Bending radius 55P ... Qtys of Links - H ... Movement

- Refer to the page of POWER GODZILLA MOVEMENT for information of Movement
- Contact us for style selection



KLA 220/320/520/620 T-STYLE ALUMINUM STAY (T-PROFILE)

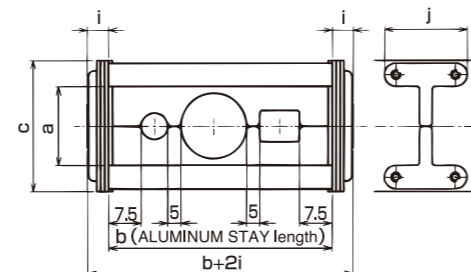
- T-STYLE ALUMINUM STAY (T-PROFILE)
- Designed to sort cables inside POWER GODZILLA
- Openings can be cut on T-STYLE ALUMINUM STAY to become custom-made according to cable outer dia. in your specification
- Note: Min. distance b/w each opening shall be 5mm (Refer to the drawing)
- Note: Min. distance b/w openings and LINKs shall be 7.5mm (Refer to the drawing)
- The minimum opening size shall be 1.1 times as big as the outside diameter of a cable to be inserted
- The minimum opening size shall be 1.2 times as big as the outside diameter of a hose to be inserted
- Available on request: Length of ALUMINUM STAYS for type KLA with Max. length 900mm

• How to read the product code:

KLA220 / 250 / 200 x 33P - A/C - S

KLA220 ... Type KLA 220 33P ... Qtys of Links
 250 ... Bending radius A/C ... END FITTINGS
 200 ... Length of ALUMINUM STAYS - S ... Movement

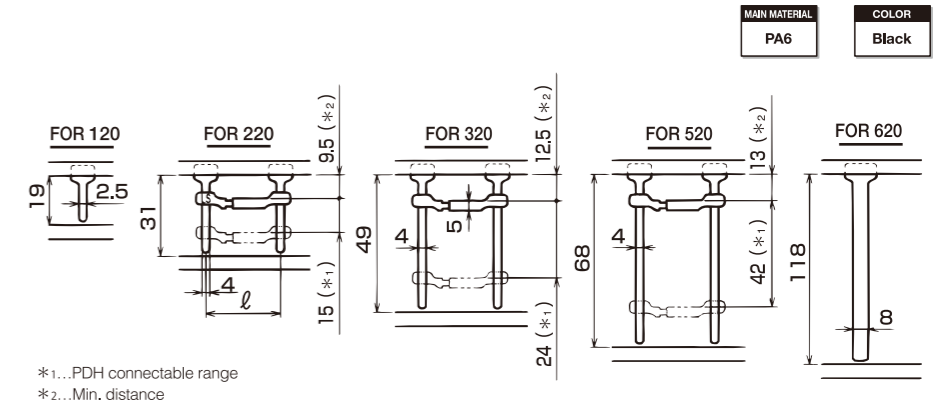
- Refer to the page of POWER GODZILLA MOVEMENT for information of Movement
- Contact us for style selection and design which matches up with your specification



TYPE KL

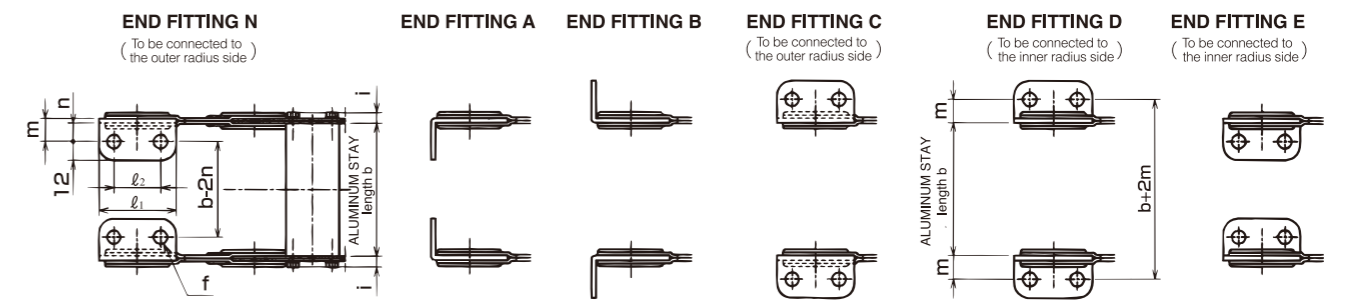
DIVIDER

- Refer to the page for DIVIDER section for PL
- PDH can not be used for KLP 120, KLP 620



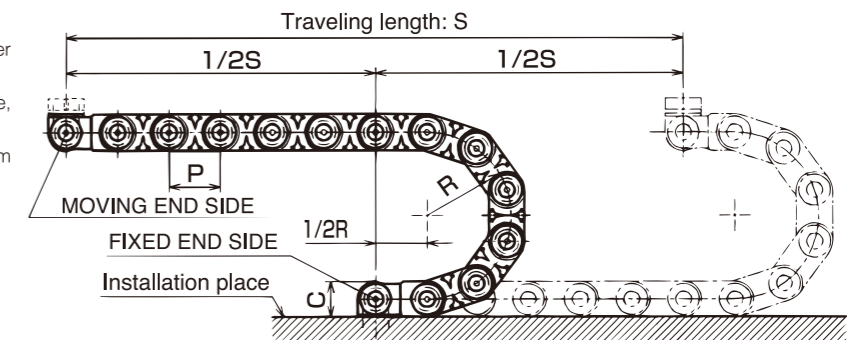
END FITTINGS

- Type of END FITTINGS: as indicated below
- How to read the product code:
 N/A ... END FITTING Type N for Fix side / END FITTING Type A for moving side



SIZE OF KL / END FITTING TO FIX

- The length of POWER GODZILLA (L): determined by $1/2 S + \pi R + R$, or longer
- Qty of LINKs: determined by L / P (Note: The remainder shall be rounded up)
 e.g. 10m (L) / Pitch 75mm (P) = 133.3333 = 134 Therefore, Qty of LINKs is 134 pieces
- The length of POWER GODZILLA (L) shall be 10,050mm (134 x 75mm)

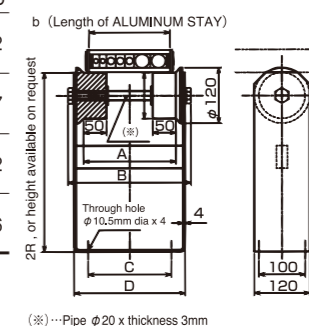


Delivery	Type	Bend radius availability	Pitch P	Inside height a	Outside height c	i	j	END FITTING					
								f	l ₁	l ₂	m	n	
☑	KLP	120	60/100/150/250	50	19	35	5.5	18.5	7 (M6)	35	20	9.5	7.5
☑	KLE/KLS	220	100/150/200	75	31	50	8	34	9 (M8)	50	30	15	12
☑	KLP/KLA	225	250/300	100	49	75	10	39	11 (M10)	75	50	21	17
☑	KLE/KLS	320	150/200/250	125	68	100	14	44	13 (M12)	100	70	28	22
☑	KLP/KLA	325	300/400	175	118	150	14	44	13 (M12)	150	115	32	26
☑	KLE/KLS	520	200/250/300										
☑	KLP/KLA	525	400/500										
☑	KLP/KLA	620	250/300/400/500/600										
☑	KLP/KLA	625	400/500/600										

※Note: Type KLA※※5 is unavailable.

SUPPORT ROLLER

- SUPPORT ROLLER for KL SERIES



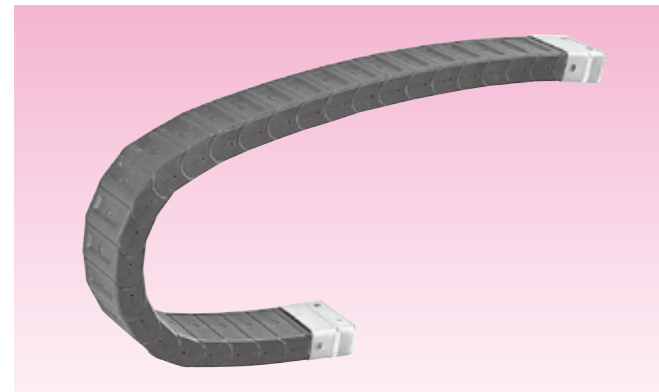
Delivery	Item number	Designed for the Length of ALUMINUM STAY as below	A	B	C	D
☑	KR10	75	100	166	80	140
☑	KR15	125	150	216	130	190
☑	KR20	175	200	266	180	240
☑	KR25	225	250	316	230	290
☑	KR30	275	300	366	280	340
☑	KR35	325	350	416	330	390
☑	KR40	375	400	466	380	440
☑	KR45	425	450	516	430	490
☑	KR50	475	500	566	480	540
☑	KR55	525	550	616	530	590
☑	KR60	575	600	666	580	640
☑	KR65	600	650	716	630	690
☑	KR70	660	700	766	680	740
☑	KR75	715	750	816	730	790

Contact us for information of product availability and delivery

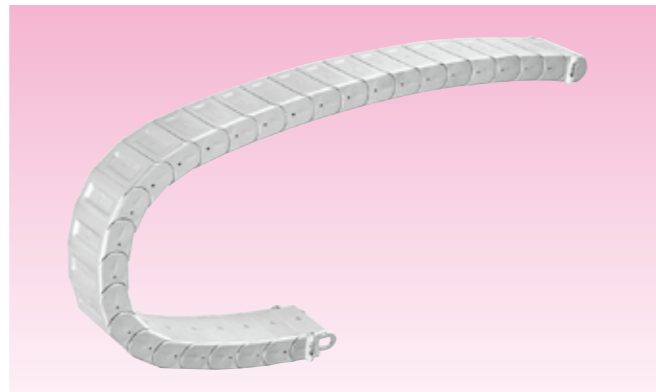
TYPE PFR

NON-METALLIC POWER GODZILLA - CLOSED CONSTRUCTION

MAIN MATERIAL	COLOR	TEMPERATURE RANGE	ENVIRONMENT	FLAMMABILITY
PA6	Black	Lowest -15°C ~Highest 80°C	RoHS	UL94HB



PFR-STANDARD type

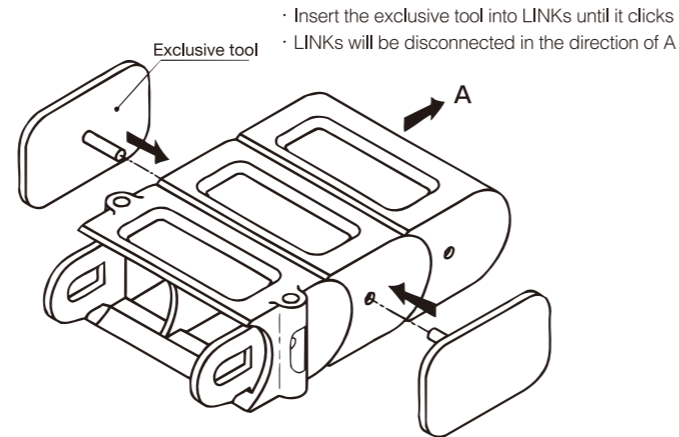


PFR***Ni-Ni coated type

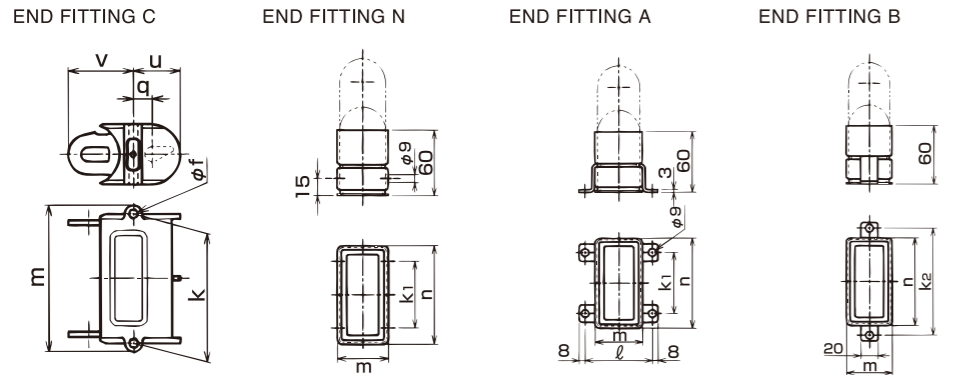
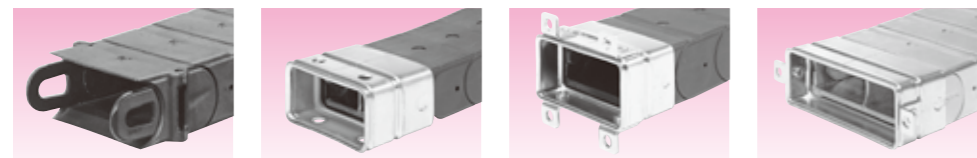
CHARACTERISTICS

- Closed construction
- Dust particle protection
- Available on request : Ni coated type (Type code: with NI) e.g PFR221 NI / 100 x ...
- INSTRUCTION to fix POWER GODZILLA to machinery / an installation place :
 - 1) Connect END FITTINGS to MOVING END SIDE and FIXED END SIDE of POWER GODZILLA
 - 2) Fix the END FITTINGS to machinery / an installation place with bolts (There are holes for bolts on END FITTINGS. The hole size is depending on types of POWER GODZILLA: M5, M6, or M8)
- Disconnection of LINKs: Exclusive tools are required.

INSTRUCTION FOR DISCONNECTION OF LINKs



END FITTING

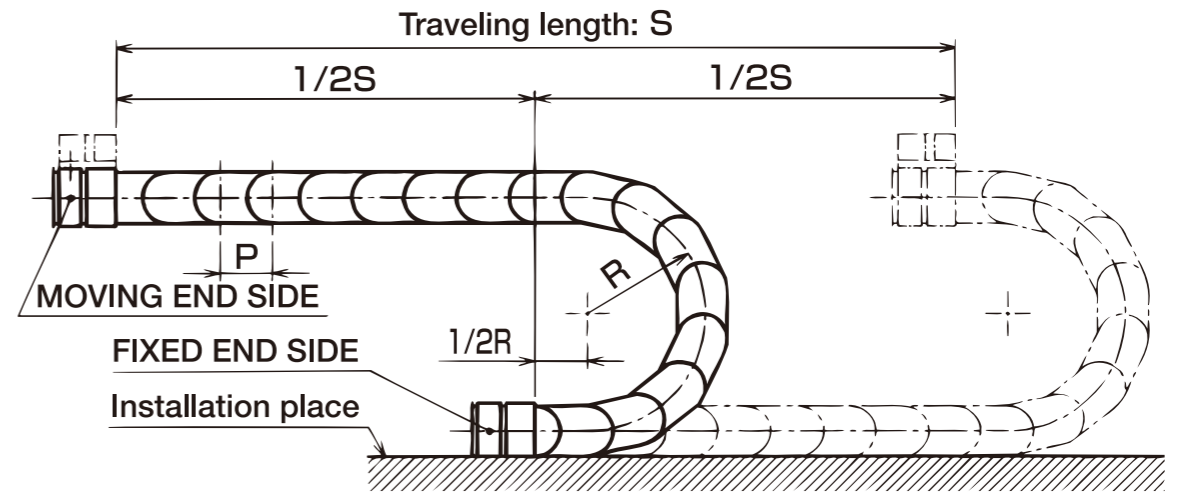


END FITTING N, A, B	m	n	k ₁	k ₂	l
For PFR 121	40	40	0	61	61
For PFR 122	40	55	20	76	61
For PFR 123	40	80	45	101	61
For PFR 221	55	55	20	76	76
For PFR 222	55	105	70	126	76
For PFR 223	55	155	120	176	76
For PFR 322	80	155	120	176	101
For PFR 323	80	230	195	251	101

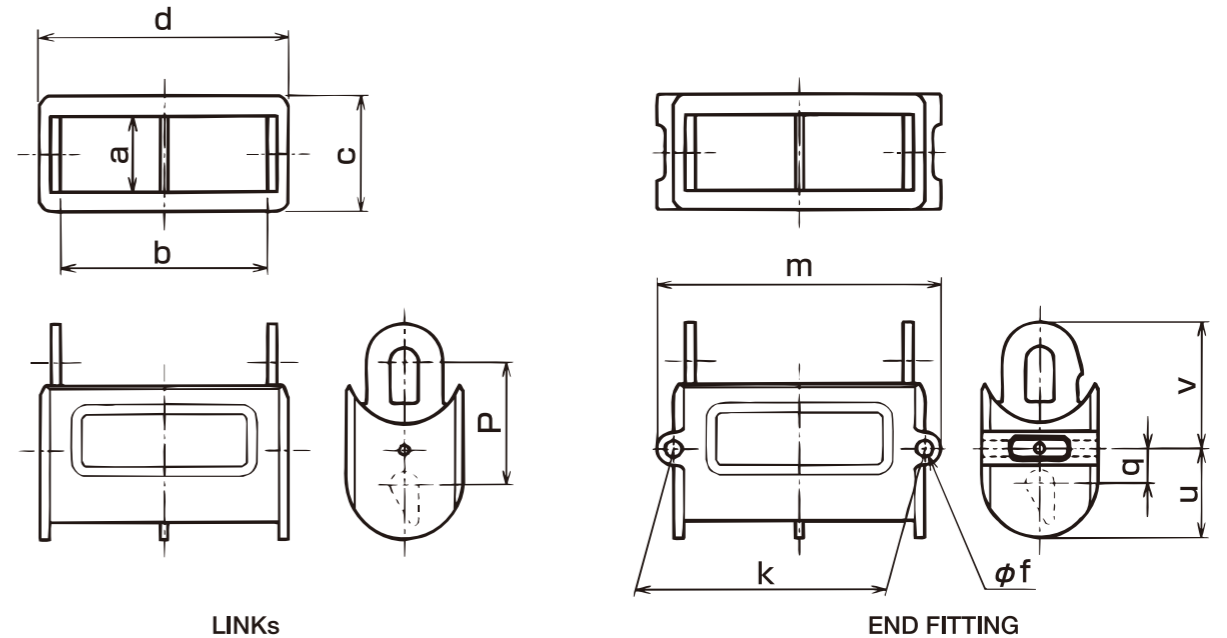
※Refer to the column of END FITTING C in the chart on the page of TYPE PFR SIZE for information of END FITTING C

TYPE PFR

SIZE



- The length of POWER GODZILLA (L): determined by $1/2 S + \pi R + R$, or longer
- Qty of LINKs: determined by L / P (Note: The remainder shall be rounded up)



Delivery	Type	Bend radius availability	Pitch P	LINKs				END FITTING C					
				Inside		Outside		f	k	m	q	u	v
				a	b	c	d						
⊙	PFR 121	75/150	35	23	23	35	35	5.3 (M5)	35	45	9	26.5	38
⊙	PFR 122	75/150	35	23	38	35	50	5.3 (M5)	50	60	9	26.5	38
⊙	PFR 123	75/150	35	23	2 x 30	35	75	5.3 (M5)	75	85	9	26.5	38
⊙	PFR 221	100/200	50	34	36	50	50	6.3 (M6)	52	64	11.5	36.5	55
⊙	PFR 222	100/200	50	34	86	50	100	6.3 (M6)	102	114	11.5	36.5	55
⊙	PFR 223	100/200	50	34	2 x 66.5	50	150	6.3 (M6)	152	164	11.5	36.5	55
⊙	PFR 322	150/300	65	57	134	75	150	8.3 (M8)	154	170	15	52.5	70
⊙	PFR 323	150/300	65	57	2 x 103	75	225	8.3 (M8)	229	245	15	52.5	70

PRODUCT CODE

PFR222/200 X 46P - A/C - M

PFR222 ... Type PFR222
 200 ... Bending radius
 46P ... Qty of Links
 A ... END FITTING on the fixed end side
 C ... END FITTING on the moving end side
 - M ... Movement

- Refer to the page of POWER GODZILLA MOVEMENT for information of Movement
- Contact us for style selection
- Available on request : Ni coated (Type code: with NI) e.g PFR222 NI / 200 ...

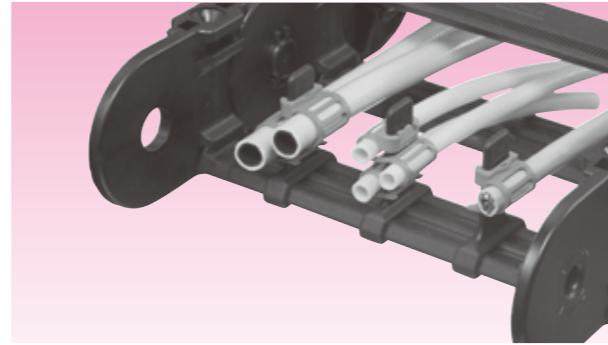
·Note: 46P is inclusive of two (2) END FITTINGS

POWER GODZILLA ACCESSORIES

POWER GODZILLA ACCESSORIES PGBB

NON-METALLIC BINDING BAND

- Non-metallic binding band
- Designed to fix cables on DIVIDER PDV and PINCH STAY PPS at the end of POWER GODZILLA (Refer to the photo)
- with 24mm in width
- Able to hold cables gently
- Suitable for cables with outside dia. from $\phi 7\text{mm}$ to 35mm



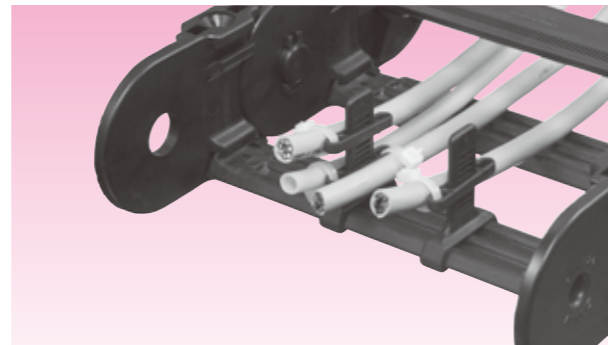
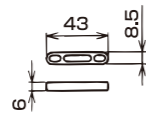
Deliv-ery	Item number	Designed for
○	PGBB	PDV200,300,500,220,320,520 PPS any size ※1

※1 PGBB can not be connected to PINCH STAY PPS for KOL10.0 ~ KOL14.0, KOL19.0 ~ KOL29.0

POWER GODZILLA ACCESSORIES PGCA8

SUPPORT PART FOR BINDING BAND

- Support part for a binding band
- To be Attached to DIVIDER PDV

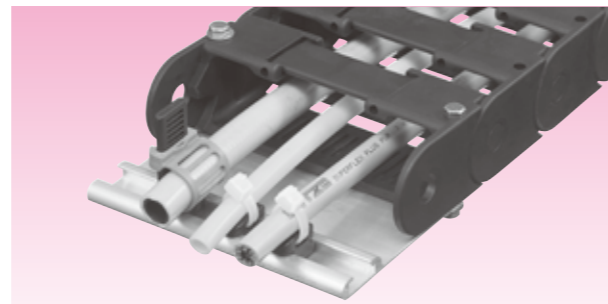


Deliv-ery	Item number	Designed for
○	PGCA8	PDV200,300,500,220,320,520

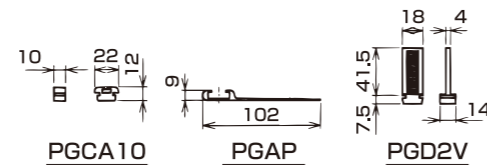
POWER GODZILLA ACCESSORIES PGCA10 / PGAP / PGD2V

BINDING ACCESSORIES

- PGAP: Aluminum support bar designed to hold PGCA10, PGD2V
- Note: No holes on PGAP to fix, so cut a hall for your specification
- Available on request: PGAP with holes to fix. Advise us on your specification
- PGCA10: Support part for a binding band
- PGD2V: DIVIDER to which PGBB / PGCA8 can be attached



Deliv-ery	Item number	Designed for
○	PGCA10	PGAP
○	PGD2V	
□	PGAP	PKK,KOL,PL※2

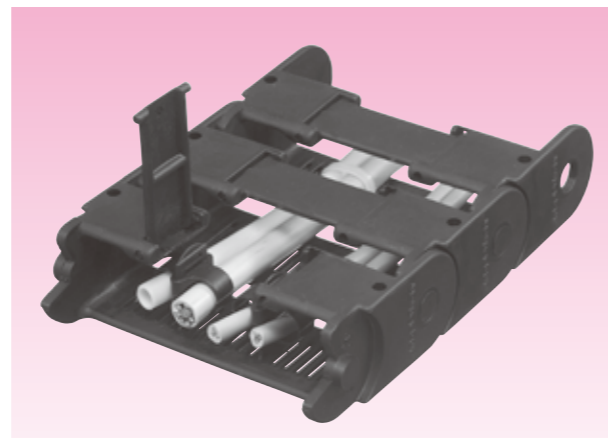


· Advise us on the length of PGAP required

POWER GODZILLA ACCESSORIES PGD2H

DIVIDER FOR CABLE WITH SMALLER OUTER DIA ($\phi 2 \sim \phi 10\text{mm}$)

- DIVIDER for cables with smaller outside diameter
- Solution for cable sorting trouble
- Can be attached to DIVIDER PDV and PINCH STAY PPS
- Holds cables between UPPER and LOWER part
- With a slit which helps cable insertion
- PGD2H4 (with wall thickness 4mm) is for DIVIDER PDV
- PGD2H2 (with wall thickness 2mm) is for PINCH STAY PPS



Deliv-ery	Item number	Connectable cable outer dia.	Designed for
○	PGD2H2	$\phi 2 \sim \phi 10$	PINCH STAY PPS (2mm) ※3
○	PGD2H4	$\phi 2 \sim \phi 10$	DIVIDER PDV (4mm)

※3 PGD2H2 can not be connected to PINCH STAY PPS for KOL10.0 ~ KOL14.0

TYPE Marathon PATENTED

MARATHON SERIES

CHARACTERISTICS

- POWER GODZILLA - Wheel traveling type
- Suitable for long traveling
- Durable
- Solution to reduce friction and noise



KEIFLEX

SANFLEKI ROBO

KEIGLAND

POWER GODZILLA

PLICA TUBE

SANPIPE

GRIPLOK

SANPARTS

SANCABLE

SANCLUBE

KEIFLEX

SANFLEKI ROBO

KEIGLAND

POWER GODZILLA

PLICA TUBE

SANPIPE

GRIPLOK

SANPARTS

SANCABLE

SANCLUBE

INSTALLATION

1. SELECTION OF PRODUCT CODE

(1) KEYS

- Traveling length: S(m)
- Traveling speed: V(m/sec)
- Traveling acceleration: A(m/sec²)
- Cable / hose outer dia. and qty: $\Phi d(\text{mm}) \times n(\text{qty})$
- Cable / hose total weight: Z (kg/m)
- Cable / hose min. bend radius: R(mm)

(2) SELECTION

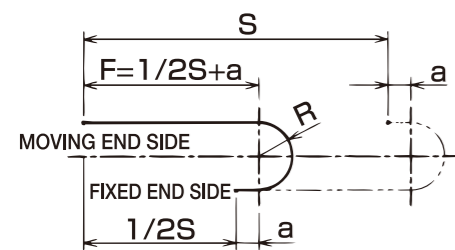
<TRAVELING LENGTH and FREE CARRYING LENGTH (F)>

• Refer to the drawings herewith. Indication F denotes FREE CARRYING LENGTH in which POWER GODZILLA can stay horizontal by itself without sagging after the loading of cable / hoses into POWER GODZILLA. NOTE: FREE CARRYING LENGTH is not the total length of POWER GODZILLA

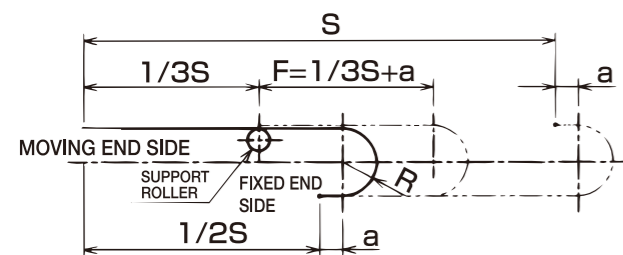
• Refer to the line chart indicated in the section of * no. 10. LOAD DIAGRAM * which shows interrelationship between cable / hose load and FREE CARRYING LENGTH. When loads of cable / hose are more than the limit, GUIDE CHANNEL and SLIDE RAIL are required for non-metallic POWER GODZILLA, while SUPPORT ROLLERS are required for KL SERIES. Contact us for more information

• Refer to the drawing as below for information of interrelationship between TRAVELING LENGTH and FREE CARRYING LENGTH

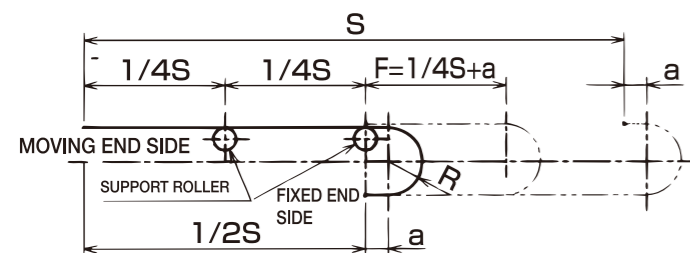
1) NON- SUPPORT ROLLER APPLICATION



2) ONE (1) SUPPORT ROLLER APPLICATION



3) ONE (2) SUPPORT ROLLER APPLICATION



• The drawings 1), 2), 3) shows TRAVELING LENGTH AND FREE CARRYING LENGTH for KL SERIES with / without SUPPORT ROLLER.

• Refer to the section of * no. 5. BRIEF INSTRUCTION OF GUIDE CHANNEL & SLIDE RAIL INSTALLATION * for information of non-metallic POWER GODZILLA.

<MIN. BEND RADIUS>

- Min. bend radius of POWER GODZILLA shall be larger than min. bend radius of a cable / a hose
- Min. bend radius of POWER GODZILLA shall be at least about 8 times as large as outer dia. of a cable (with the biggest outer dia among that of cables to be loaded). Note: Min. bend radius of POWER GODZILLA shall be much larger when the cables are not flexible enough or when highly frequent traveling of POWER GODZILLA is required
- Min. bend radius of POWER GODZILLA shall be at least about 10 times as large as outer dia. of a hose (with the biggest outer dia among that of hoses to be loaded). Note: Min. bend radius of POWER GODZILLA shall be much larger when the hoses are not flexible enough or when highly frequent traveling of POWER GODZILLA is required
- Note: LINKs of PKK, PL, KL SERIES shall be wide enough: The outer width of LINKs shall be larger than the size equivalent to 30% of the total height (2R + height of LINK) of POWER GODZILLA
- Contact us for more information

<LOADING OF CABLE / HOSE>

- Refer to the INSTRUCTION OF LOADING OF CABLE
- Contact us for the information

<SELECTION OF PRODUCT CODE>

- Select a product code with the chart on the page of * CONSTRUCTION SUMMARY * and the line chart indicated in the section of * no. 10. LOAD DIAGRAM *
- Should movement type "CIRCULAR MOTION" / longer traveling, or any other special specification be required, contact us for information.

2. POWER GODZILLA LENGTH / QTY OF LINKS

- The length of POWER GODZILLA (L): determined by $1/2S + \pi R + R + 2P$, or longer
- Qty of LINKs: determined by L / Pitch (Note: The remainder shall be rounded up)
e.g.: Traveling length (S): 3.8m, POWER GODZILLA bend radius (R): 200mm, PITCH (P): 35mm
Step1: In this case, $L = 1/2 \times 3,800 + 200\pi + 200 + 70 = 2,798\text{mm}$
Step2: $2,798 / 35 = 79.94\dots = 80$ Therefore, Qty of LINKs is 80 pieces
Step3: Qty of LINKs to be ordered shall be 80 pieces (80 x 35mm = 2,800mm)
- Note: This calculation formula applies only to REGULAR installation (The position of FIXED END SIDE = 1/2S). Contact us for more information.

3. CABLES / HOSES

- Cables / hoses to be loaded into POWER GODZILLA shall be abrasion & nick-resistant, and highly flexible ones which hold up against repeated flexing

4. MATERIALS

<Non-metallic POWER GODZILLA>

- Glass fiber-containing Polyamide which makes POWER GODZILLA durable and resistant to abrasion. This material also makes it possible for POWER GODZILLA to move smoothly.

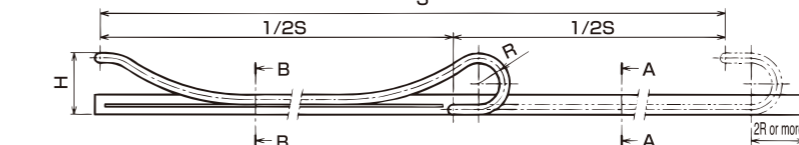
<Metallic POWER GODZILLA>

- Rolled steel (Electroplated zinc)

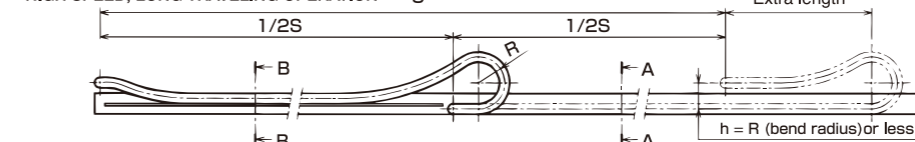
5. BRIEF INSTRUCTION OF GUIDE CHANNEL & SLIDE RAIL INSTALLATION

- The line chart indicated in the section of * no. 10. LOAD DIAGRAM shows interrelationship between cable / hose load and FREE CARRYING LENGTH. When loads of cable / hose are more than the limit which the line chart shows, GUIDE CHANNEL and SLIDE RAIL are required for non-metallic POWER GODZILLA (PKK, KOL, PL SERIES). Typical installation of GUIDE CHANNEL and SLIDE RAIL is as the drawing shows.
- Suitable traveling speed: 1m/second or slower
- Sliding movement with the traveling speed at 1m/second or faster is possible with PKK※28
- Extra length of POWER GODZILLA and GUIDE CHANNEL is required in high speed / long traveling operation. The movement trail of MOVING END SIDE shall be as low as possible.
- Contact us for more information
- Available on request: GUIDE CHANNEL & SLIDE RAIL

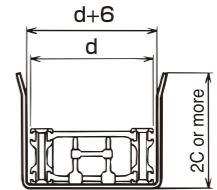
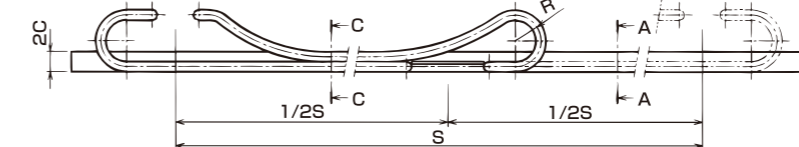
GENERAL OPERATION



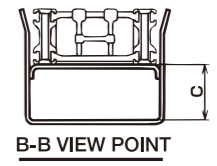
HIGH SPEED, LONG TRAVELING OPERATION



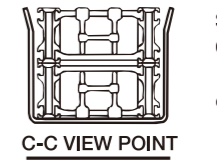
FACING OPERATION



A-A VIEW POINT



B-B VIEW POINT



C-C VIEW POINT

※PA SLIDE RAIL is recommended to improve sliding smoothness

S: Traveling length
C: Outer height of POWER GODZILLA
d: Outer width of POWER GODZILLA

6. INSTALLATION OF CABLE / HOSE

- Put cables / hoses inside POWER GODZILLA from the inner radius side (This applies to most types of POWER GODZILLA)
 - There shall be a moderate balance between the weight of cables / hoses on the right side and on the left side inside POWER GODZILLA.
 - Cables / hoses shall not basically be piled up on top of each other
 - The max. volume of cables / hoses to be loaded shall not be determined by fixed data. It should be determined according to real conditions. There must be enough space for cables / hoses to move freely inside POWER GODZILLA while flexing operation. Refer to the INSTRUCTION OF LOADING OF CABLE
 - There must basically be only one (1) cable / hose between DIVIDERS
 - There must NOT be any torsion on cables / hoses for installation
 - In order to avoid tension in cables / hoses during operation, the moderate length of cables / hoses shall be selected appropriately.
- Note: Pressurized oil / air hoses are likely to shrink when liquid / air goes through the hoses.
- Note: Pressurized oil / air hoses put highly pressure on the outer radius side of POWER GODZILLA during flexing. In this condition, the hoses are likely to have abrasion / nick. Therefore, the bend radius and moderate length shall be selected appropriately.
- Cables / hoses must remain straight in enough length around the connection with terminals / fittings
 - Cables / hoses shall be bound at the end of POWER GODZILLA

7. CHARACTERISTICS

(1) ACIDITY, ALKALINITY

- KL SERIES shall NOT be used under acidic conditions
- Non-metallic POWER GODZILLA shall NOT be used under highly acidic conditions
- Available on request : Stainless steel POWER GODZILLA, which is good to use under alkaline / acidic condition

(2) HEAT RESISTANCE

- Temperature range:
Between $-15^{\circ}\text{C} \sim 80^{\circ}\text{C}$ for Non-metallic POWER GODZILLA and PFR SERIES (inclusive of Ni coated type - PFR ※※NI)
- Between $-15^{\circ}\text{C} \sim 150^{\circ}\text{C}$ for Metallic POWER GODZILLA KL SERIES

(3) OIL RESISTANCE

- Non-metallic POWER GODZILLA and Metallic POWER GODZILLA are oil-resistant.

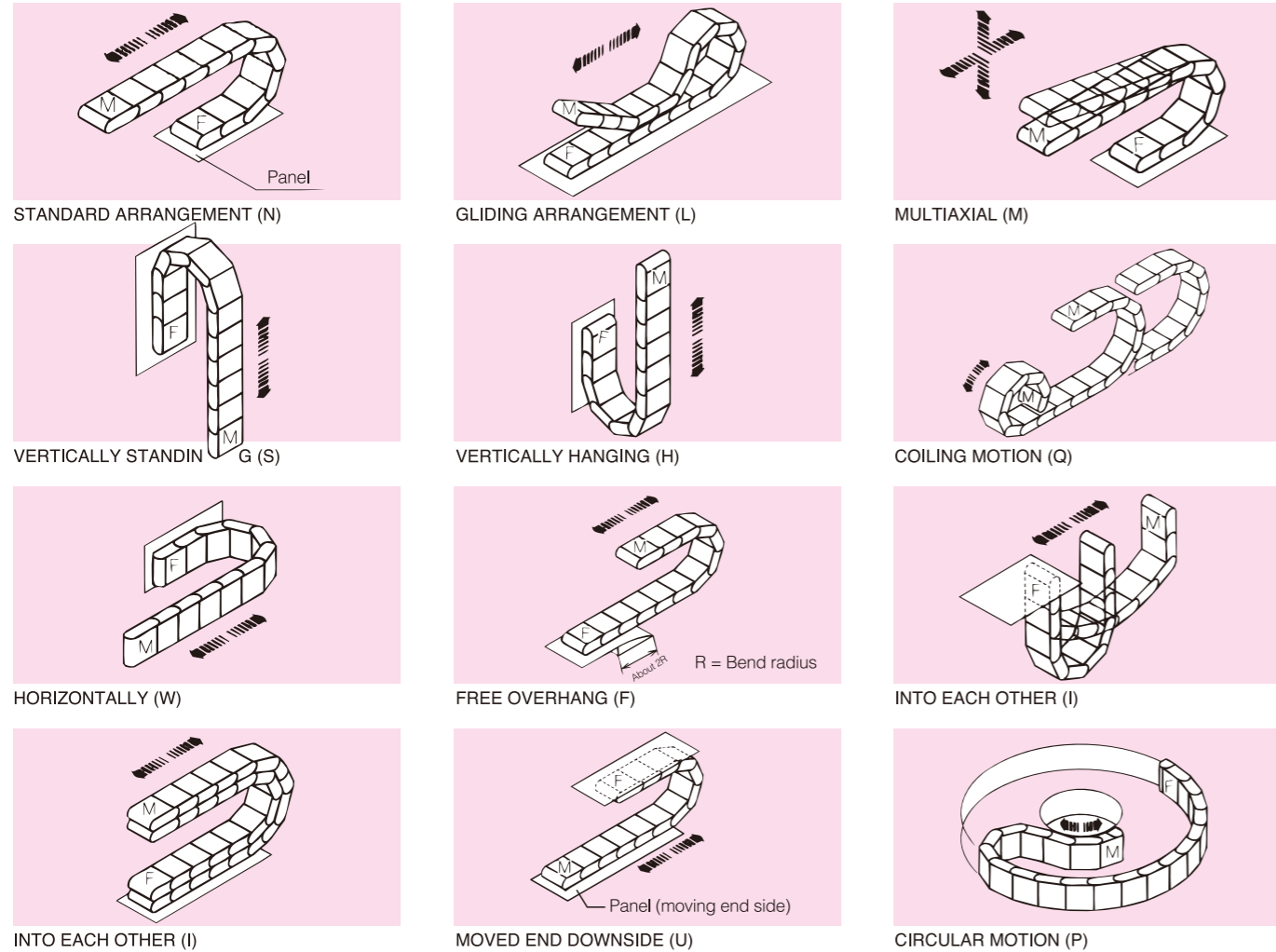
(4) OTHER AFFECT

- Any particles such as dust particles, metal particles have possibility to give abrasion / nick to POWER GODZILLA under sliding movement operation. Contact us should POWER GODZILLA is used under these conditions.

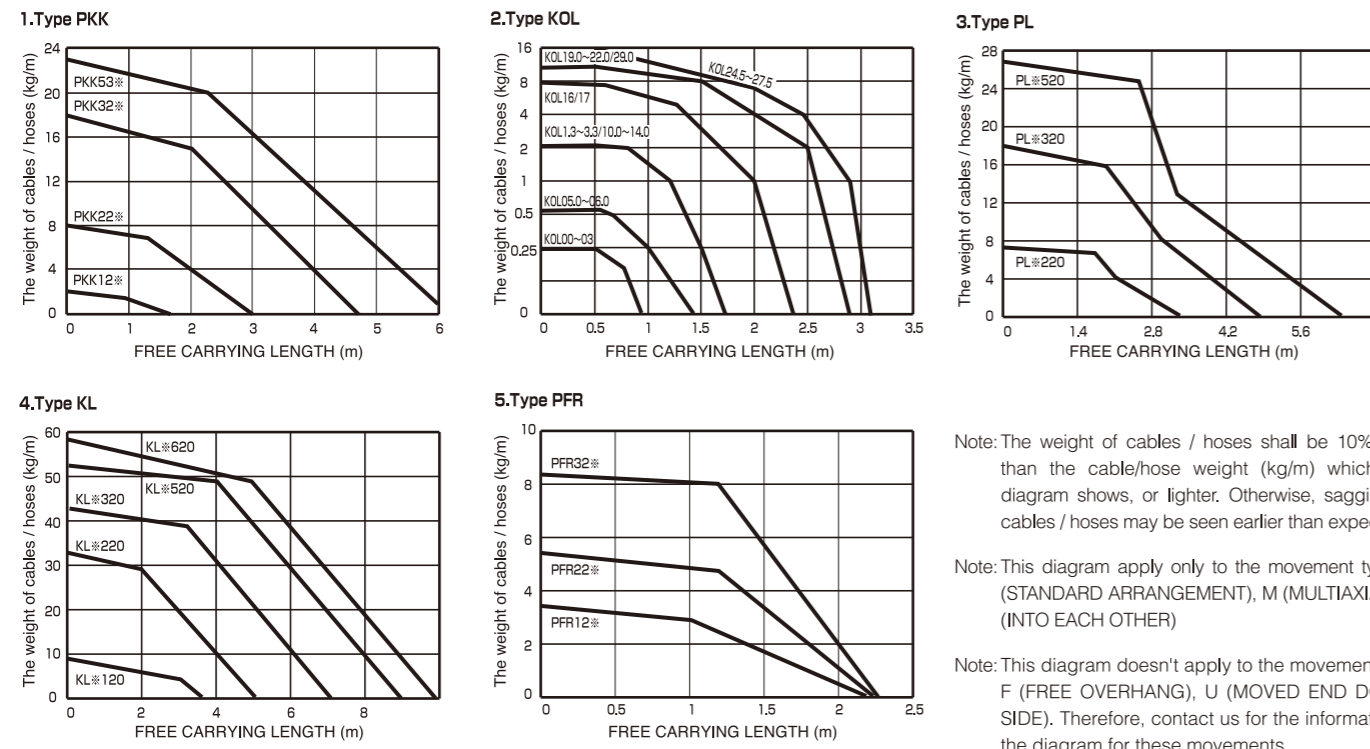
8. INSTALLATION OF POWER GODZILLA IN DEVICES / EQUIPMENT

- The distance between POWER GODZILLA and devices / equipment: 25mm or more on each side 50mm or more on top of POWER GODZILLA
- Bolts to fix POWER GODZILLA shall be tighten up enough. Take preventive measures to prevent the bolts to loosen.
- Put oil on SLIDER for PKK※28 every 2 to 3 months in order to reduce abrasion
- Cables / hoses shall be bound at the end of POWER GODZILLA particularly for movement type "VERTICALLY HANGING". Take preventive measures to avoid highly pressure from loads of cables / hoses at the bottom of POWER GODZILLA
- Available on request: Special type designed for movement type "CIRCULAR MOTION"
- POWER GODZILLA has PRETENSION (curving chain line) as its regular design in order to hold up against weight of cables / hoses to be loaded inside. Depending on the weight of loads inside, PRETENSION still remains

9. POWER GODZILLA MOVEMENT



10. LOAD DIAGRAM



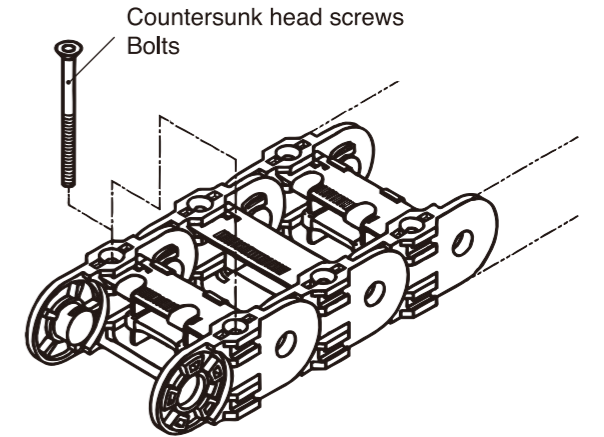
11. INSTRUCTION TO FIX MOVING END SIDE AND FIXED END SIDE TO MACHINERY / INSTALLATION PLACE

- PKK SERIES, KOL SERIES, KOR SERIES, PL SERIES: with holes to fix
- Fix these series as the drawings shows

Torque with which bolts shall be tighten up is as indicated in the chart below.

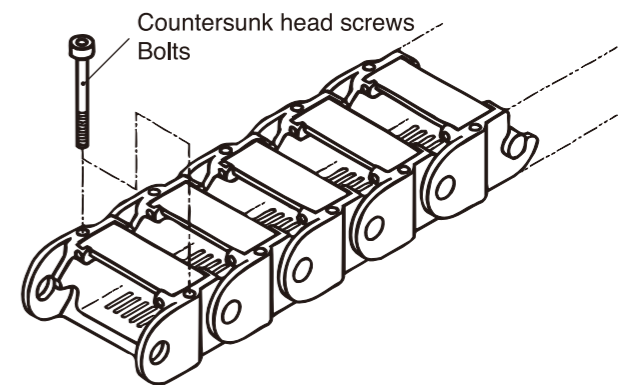
Screw / bolt size	Torque (Ncm)
M4	115
M5	140
M6	700
M8	1200

PKK SERIES (Refer to page for PKK SERIES)

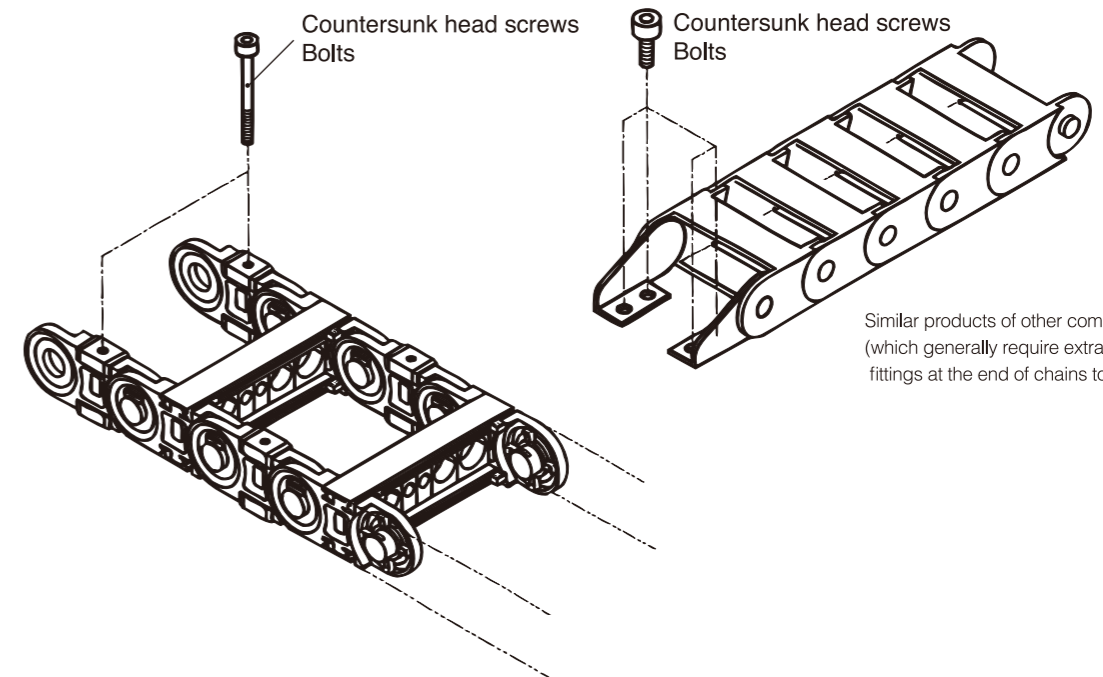


KOL SERIES (Refer to page for KOL SERIES)

- (KOL00 has the half bolt-shaped wall)
- (LINKs of KOL01.3 is used as END LINKs of KOL0 and KOL0.3)



PL SERIES (Refer to page for PL SERIES)



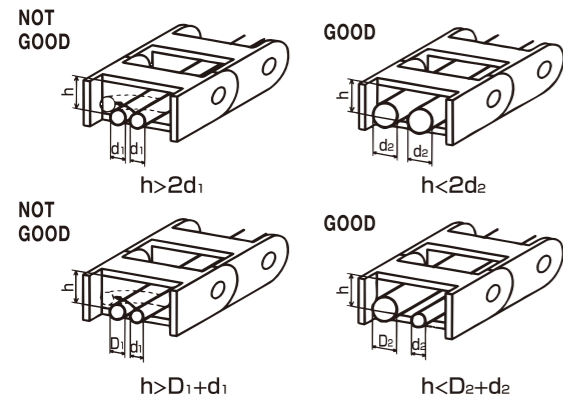
Similar products of other companies (which generally require extra end fittings at the end of chains to fix)

INSTRUCTION OF LOADING OF CABLE

Instruction to select right products and to install the selected products correctly

●REGULAR CABLE INSTALLATION

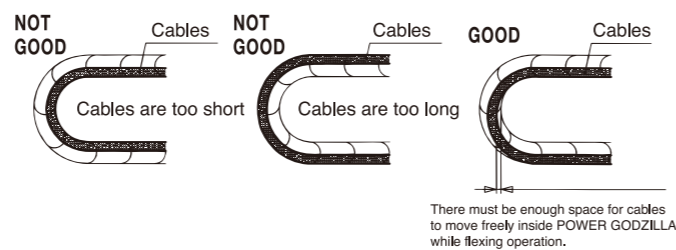
(1) Cables shall not be piled up on top of each other



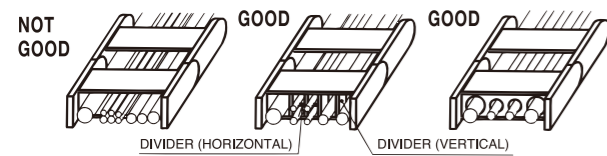
(6) There shall be a moderate balance between the weight of cables on the right side and on the left side inside POWER GODZILLA.
 ·The heavier cables shall be placed on both sides inside POWER GODZILLA
 ·The lighter cables shall be placed in the center inside POWER GODZILLA
 ·The same kind (characteristics such as bend radius and flexibility) of cables shall be separately placed on both sides.
 ·The instruction of (6) applies only to POWER GODZILLA with 200mm or wider in outer width



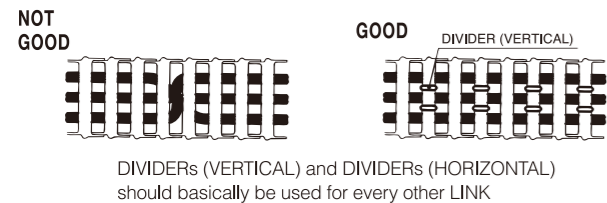
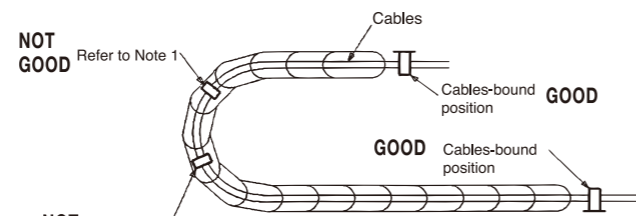
(7) The moderate length of cables shall be selected appropriately.



(2) There must not be any torsion on cables for installation. The DIVIDERS shall be used between cables. There must basically be only one (1) cable between DIVIDERS



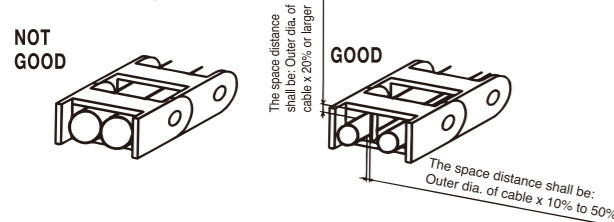
(8) Cables shall be bound at the end of POWER GODZILLA.
 Note 1: Cables shall not be bound inside POWER GODZILLA.
 Note 2: Cables shall not be bound with each other inside POWER GODZILLA.
 Note 3: Make sure to avoid tension in cables



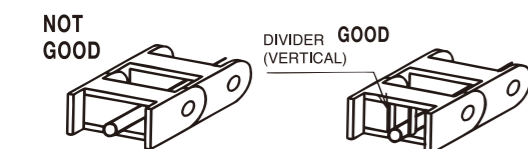
(3) There shall not be large difference in the diameter of each cable in order to avoid situations where cables can not move smoothly or there emerges too much tension in each cable.



(4) There shall be moderate space for each cable.
 Note: The max. volume of cables to be loaded shall not be determined by fixed data. It should be determined according to real conditions. There must be enough space for cables to move freely



(5) DIVIDERS shall be used to give cables moderate space. If there is too large space for cables, the cables move more than they should do. The space shall not be too large or too small for cables.



DATA SHEET TO SELECT PRODUCT CODE

Fill out this form and send this sheet to us.

COMPANY NAME: _____

ADDRESS: _____

CONTACT: _____

PHONE: _____ FAX: _____

YOUR REQUIREMENT: ADVICE FOR SELECTION DRAWING CONTACT OUR SELES REP.

YOUR REQUIREMENT FOR SERIES: PKK KOL PLE PLS PLP KLE
KLP KLS KLA PFR KOR

●YOUR SEPECIFICATION & REQUIREMENTS

- TRAVELING LENGTH _____ m
- TRAVELING SPEED _____ m/sec
- TRAVELING ACCELERATION _____ m/sec²
- TRAVELING FREQUENCY _____ time(s)/hour
- DURATION OF OPERATION TIME _____ hour(s)/day
- OUTER DIA. AND QTY OF CABLES/HOSES TO BE LOADED
 - a. ϕ _____ mm × _____ piece(s) CABLE · HOSE (Mark one)
 - b. ϕ _____ mm × _____ piece(s) CABLE · HOSE (Mark one)
 - c. ϕ _____ mm × _____ piece(s) CABLE · HOSE (Mark one)
 - d. ϕ _____ mm × _____ piece(s) CABLE · HOSE (Mark one)
 - e. ϕ _____ mm × _____ piece(s) CABLE · HOSE (Mark one)

Writing space for any: _____

7. TOTAL WEIGHT OF CABLES/HOSES TO BE LOADED _____ kg/m
 (Kg shall be per m and inclusive of liquid)

8. YOUR REQUIREMENT FOR BEND RADIOUS OF POWER GODZILLA
 (Skip to fill out if there is no requirement for this data)

- BEND RADIOUS OF POWER GODZILLA: R _____ mm
- MIN. BEND RADIUS OF CABLE: R _____ mm
- YOUR INSTALLATION DIAGONAL SPACE: _____ mm,

YOUR REQUIREMENT FOR OUTER WIDTH OF POWER GODZILLA: _____ mm OR LESS

9. YOUR REQUIREMENT FOR POWER GODZILLA MOVEMENT:
 (Refer to the page of POWER GODZILLA MOVEMENT)

10. OPERATION PLACE CONDITIONS:

ROOM TEMPARATURE: _____ °C
 ROOM HUMIDITY: _____ %

OTHER OPERATION CONDITIONS:
 (Emergence or existence of dust particles / metal particles / liquid / oil / chemical substances, indoors / outdoors / any other conditions)

11. YOUR OTHER REQUIREMENTS

SAFEKEEPING

Follow the statements as below

- Do not place anything particularly heavier things on POWER GODZILLA. Otherwise, it may breaks off.
- Fix POWER GODZILLA tightly to devices / equipment for safety
- Take preventive measures to prevent POWER GODZILLA from falling onworkers during storage / when handling POWR GODZILLA.
- Take care of your hands when handling POWR GODZILLA. Prevent yourhands from getting caught between LINKs of POWER GODZILLA
- Do not use POWER GODZILLA for any inappropriate purposes and uses rather than its right purposes and uses.
- Install POWER GODZILLA in devices / equipment after understanding and knowing the construction, specification and installation way of POWER GODZILLA

WARRANTY

The warranty for POWER GODZILLA is stated as below.

1. [WARRANTY PERIOD]

The warranty period shall be the shorter period of time between a) and b)

- a) 18 months after our products are dispatched from our factory
- b) 12 months after the first operation of our products gets underway

2. [WARRANTY COVERAGE]

If you find a defect in our products during the warranty period stated above (1. [WARRANTY PERIOD]), we will repair it, or replace it free of charge.

NOTE: We shall be held liable only for defects in our products which are caused by our responsibility.

However, our products with any defects which are caused by the following conditions shall not be under warranty.

- ① Any defects caused by any inappropriate purposes and uses / inappropriate installation and operation conditions rather than purposes and uses / installation and operation conditions indicated in our technical documents
- ② Any defects caused by any remodeling, design conversion, inappropriate dismantling
- ③ Any defects caused by devises / equipment in which our products are installed, or any other devices / equipment
- ④ Any defects caused by unpredictable factors
- ⑤ Any defects caused by acts of God

NOTE: We shall not be held liable for any consequential damages resulting from defects in our products